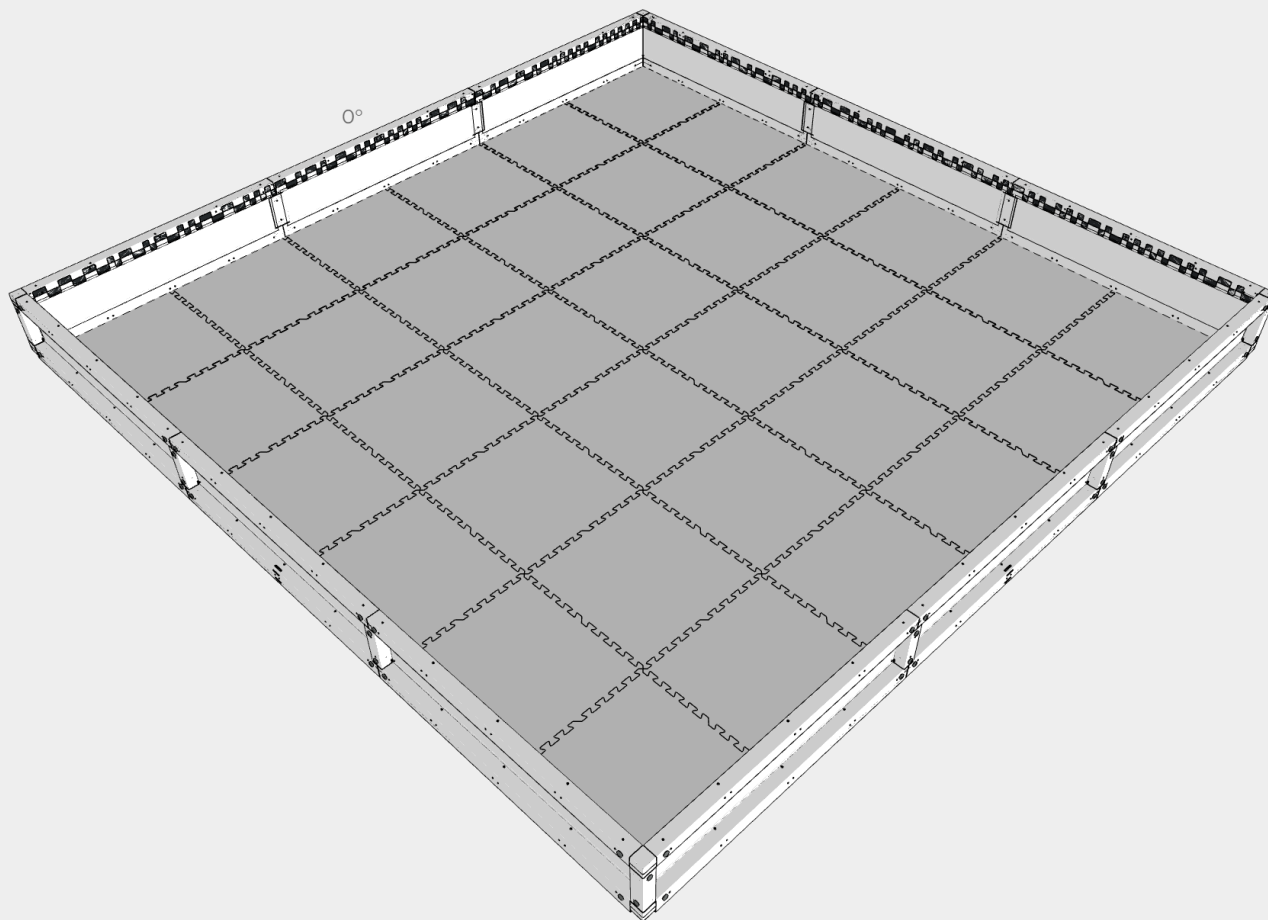
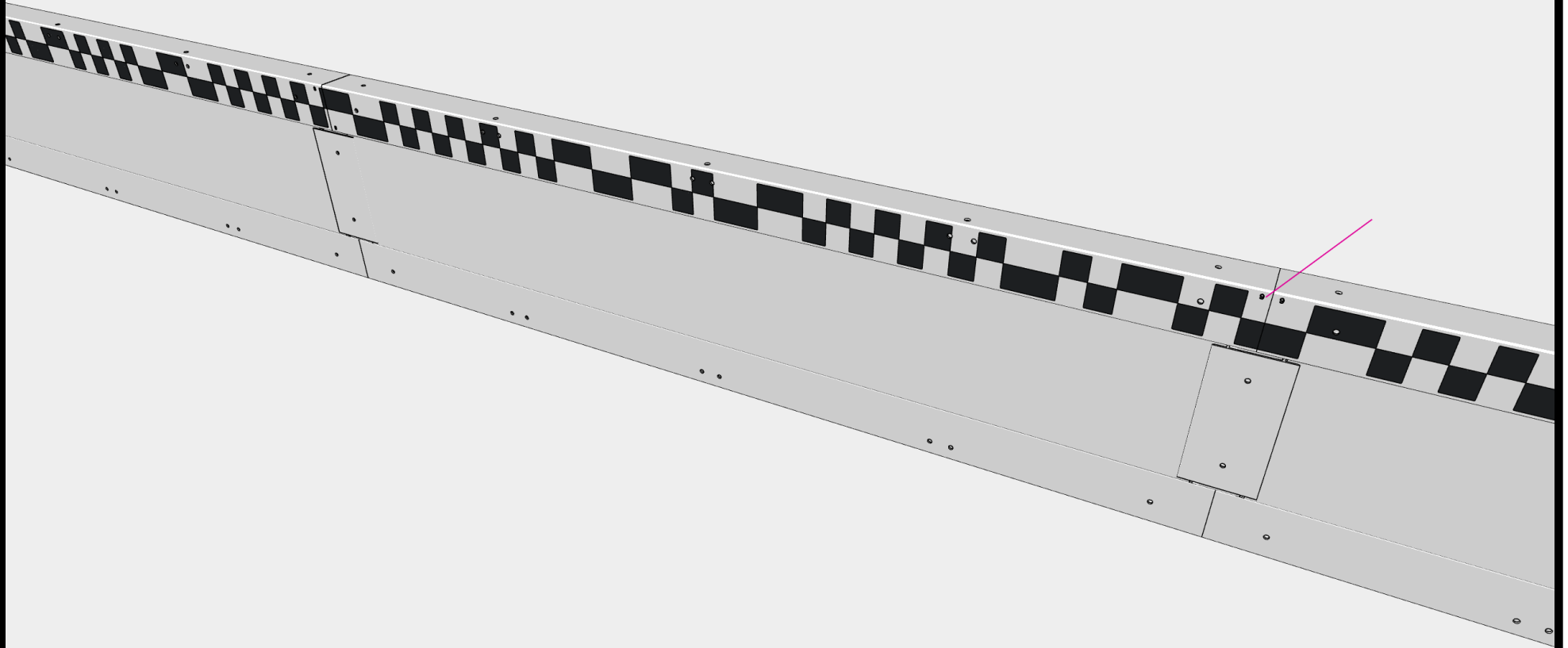


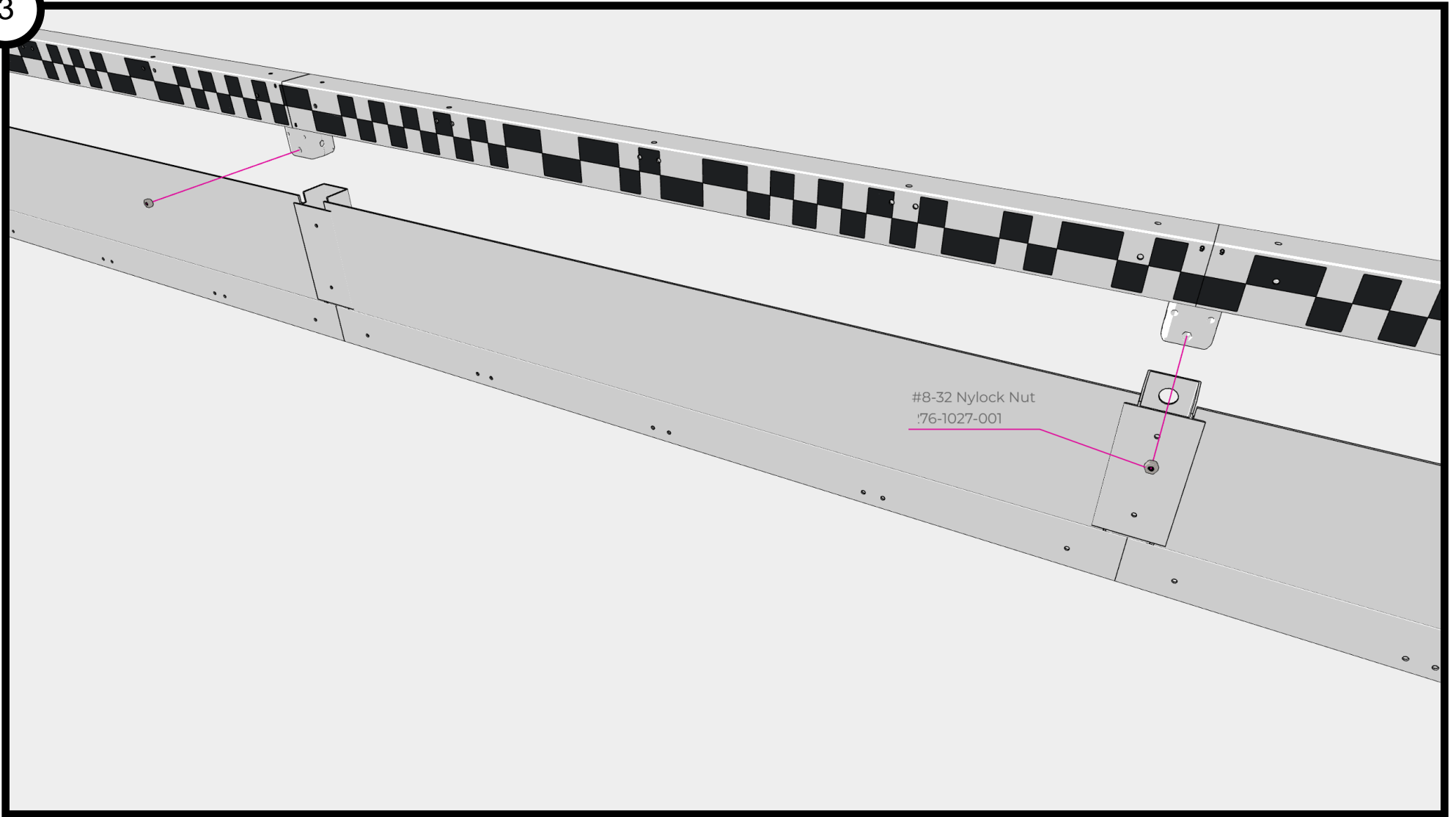
1



2

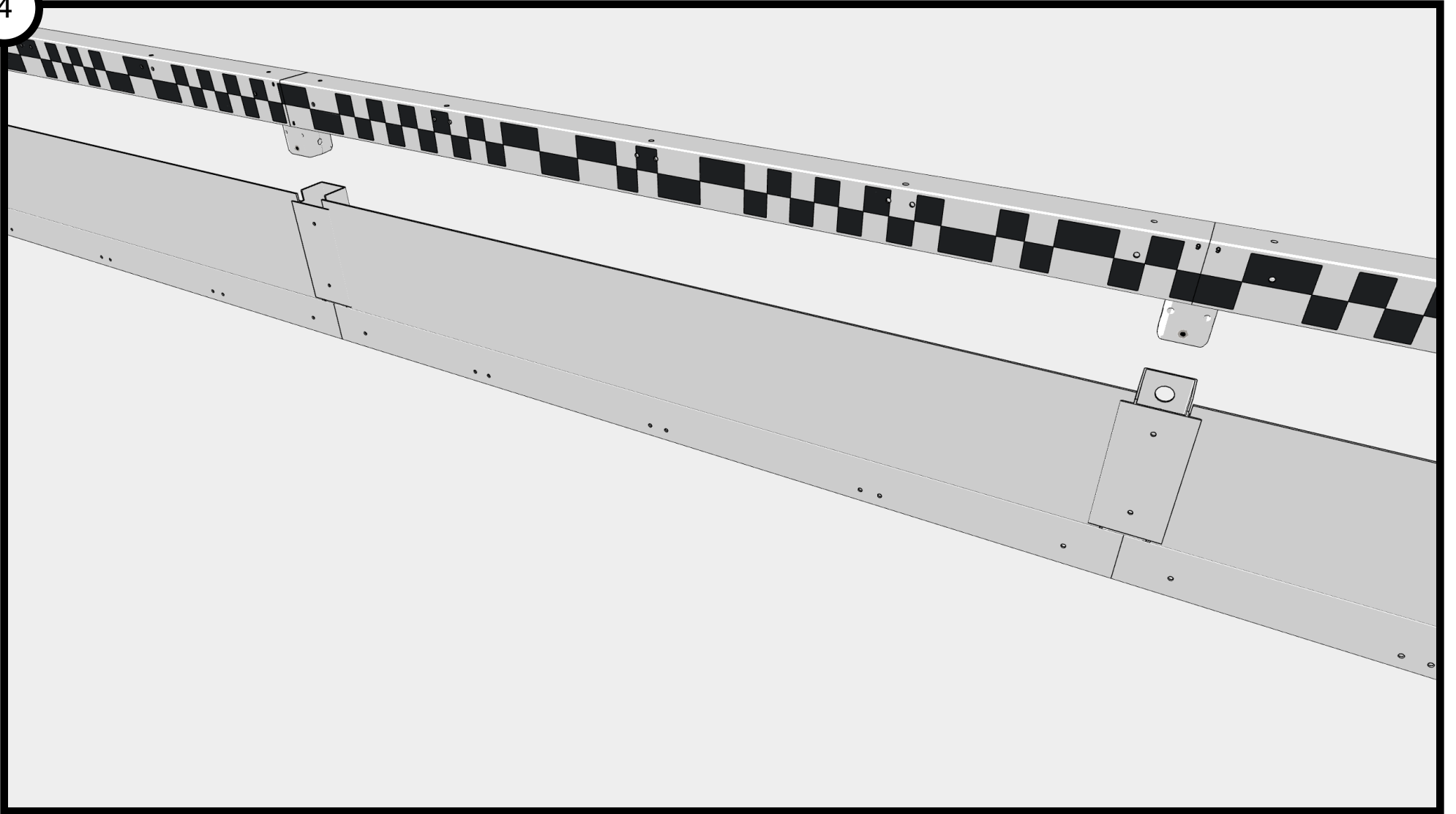


3

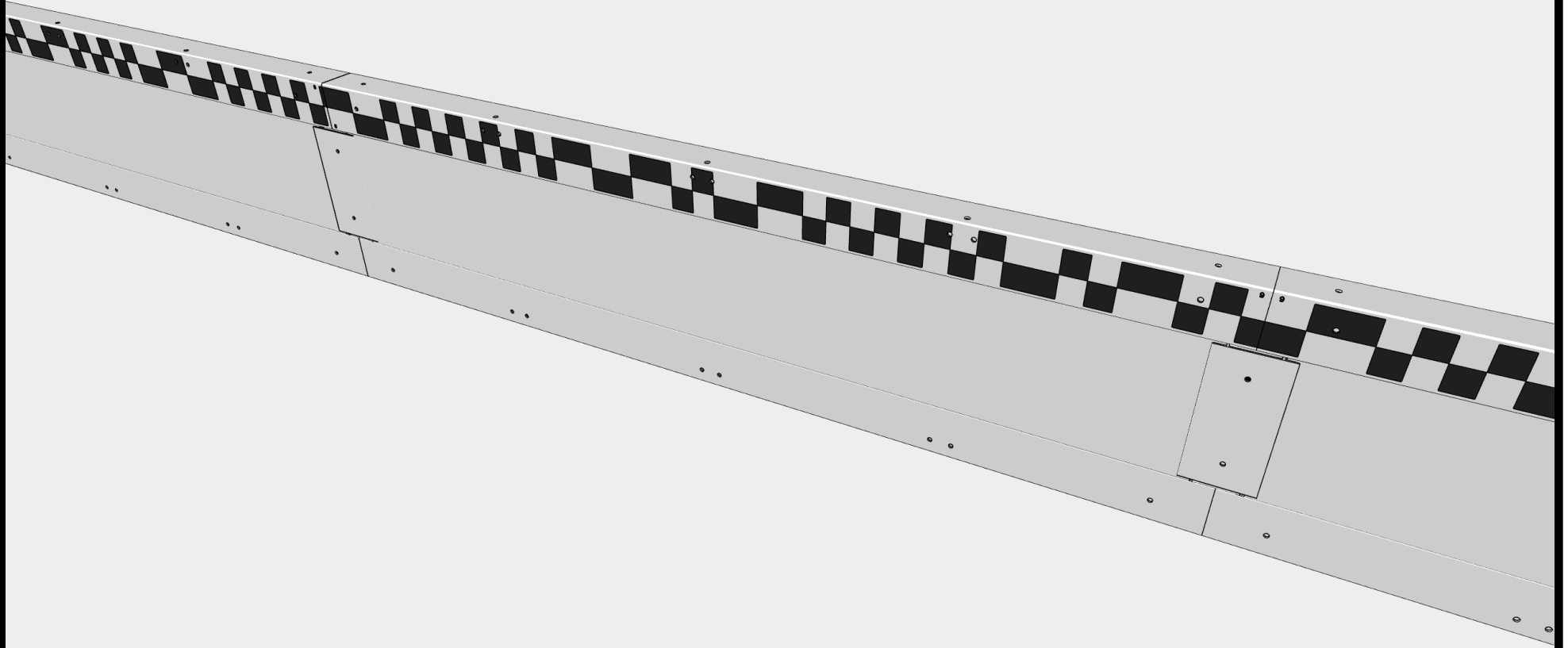


#8-32 Nylock Nut
:76-1027-001

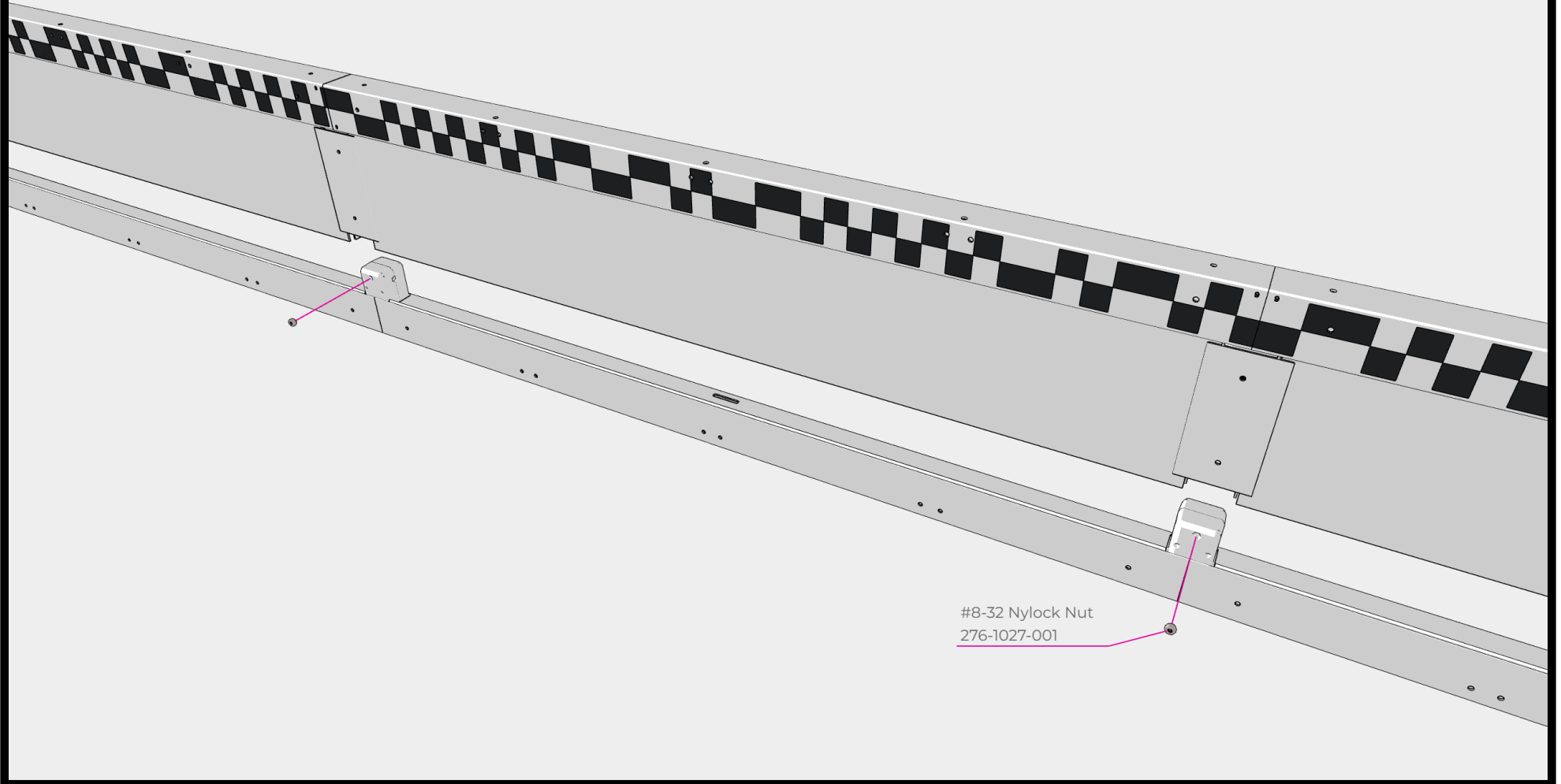
4



5

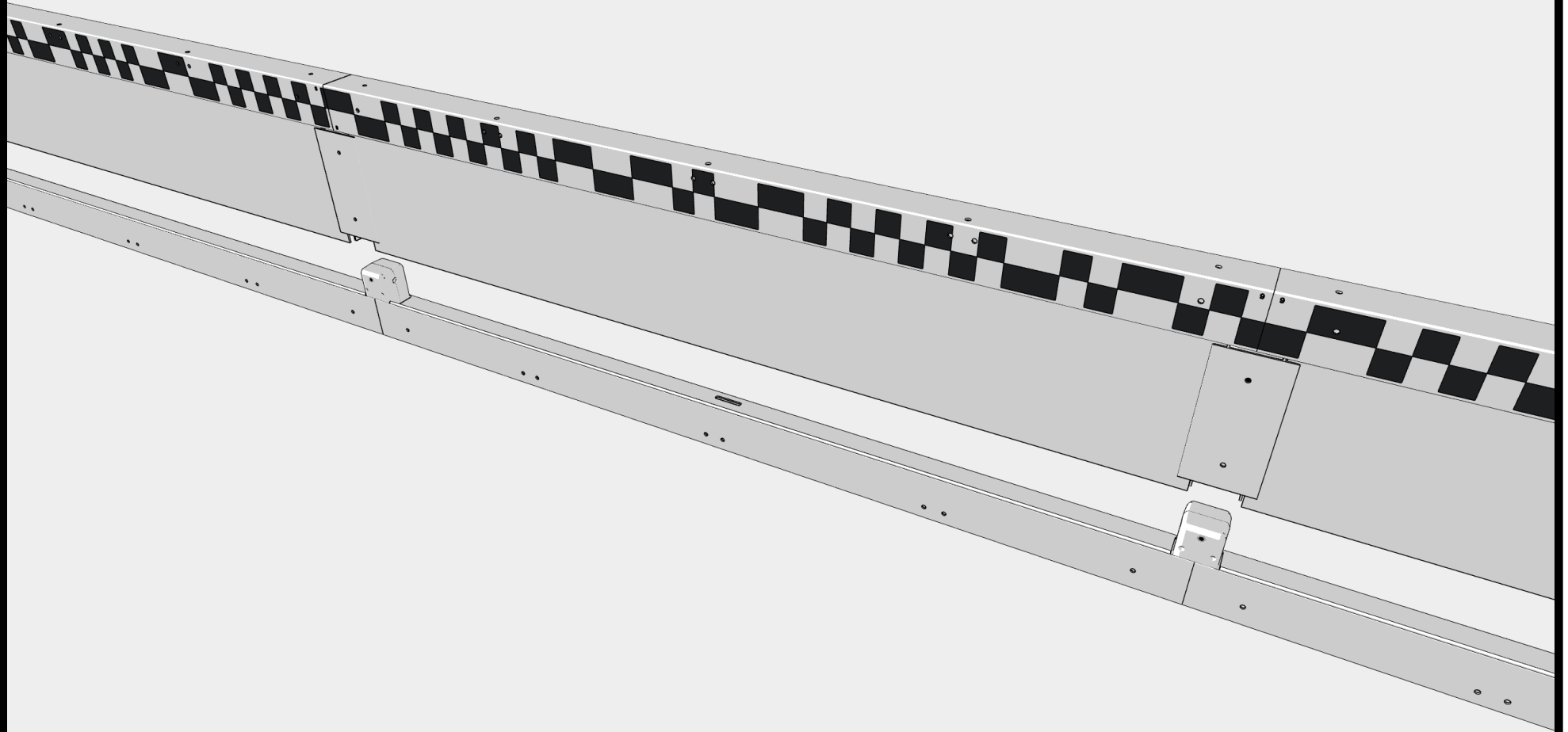


6

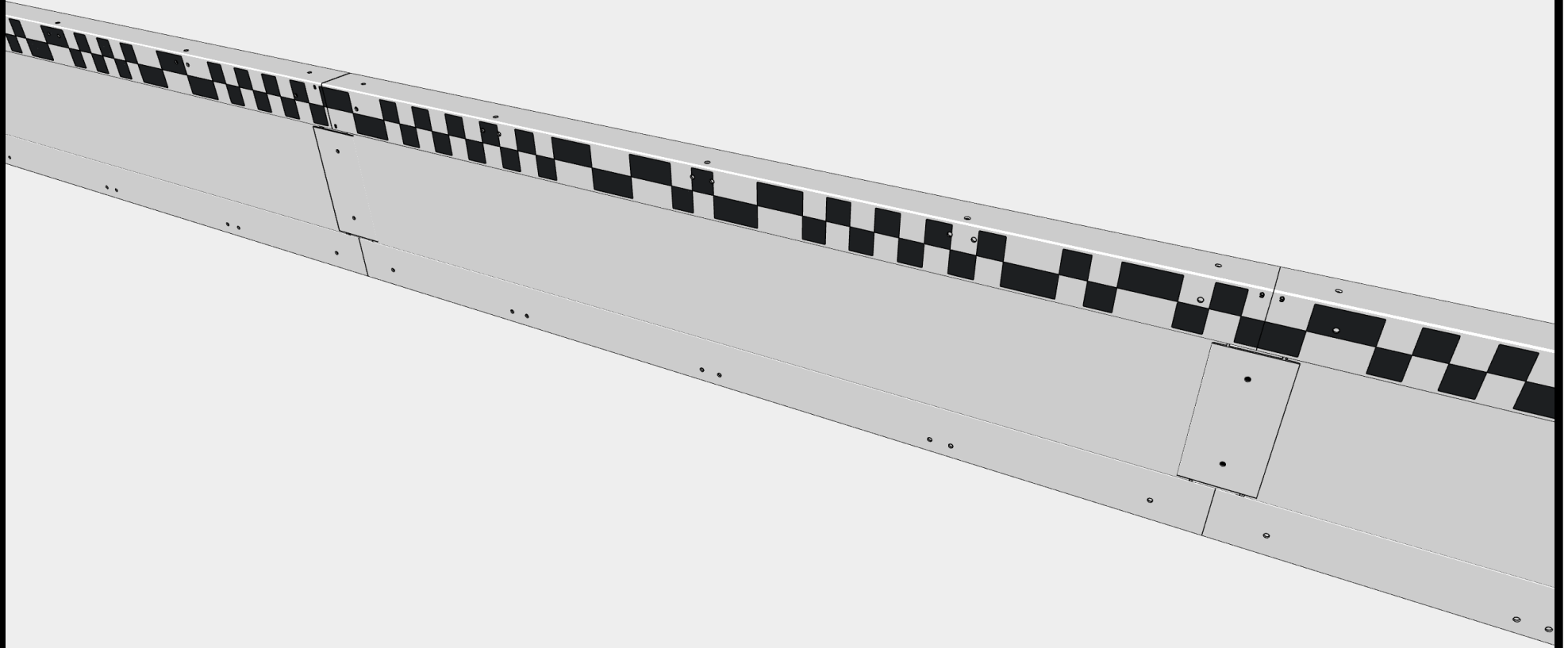


#8-32 Nylock Nut
276-1027-001

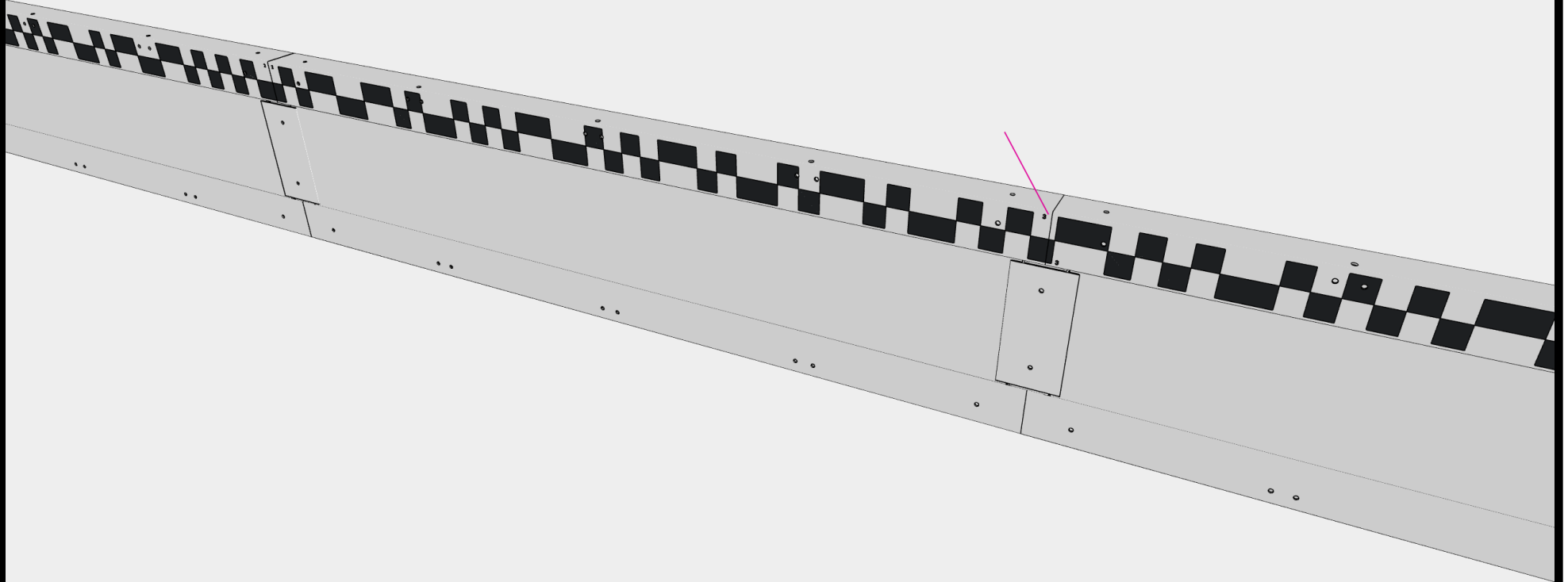
7



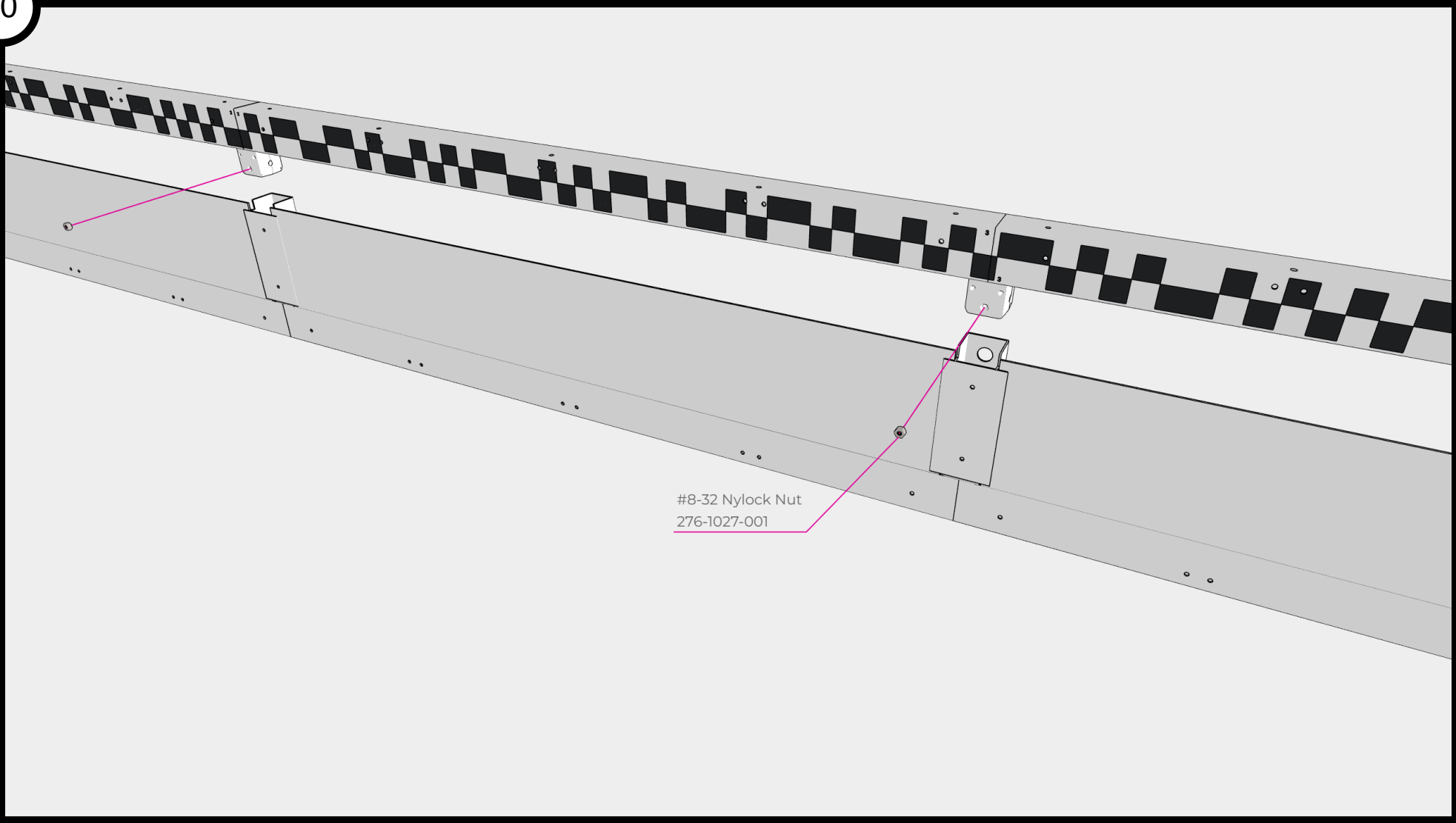
8



9

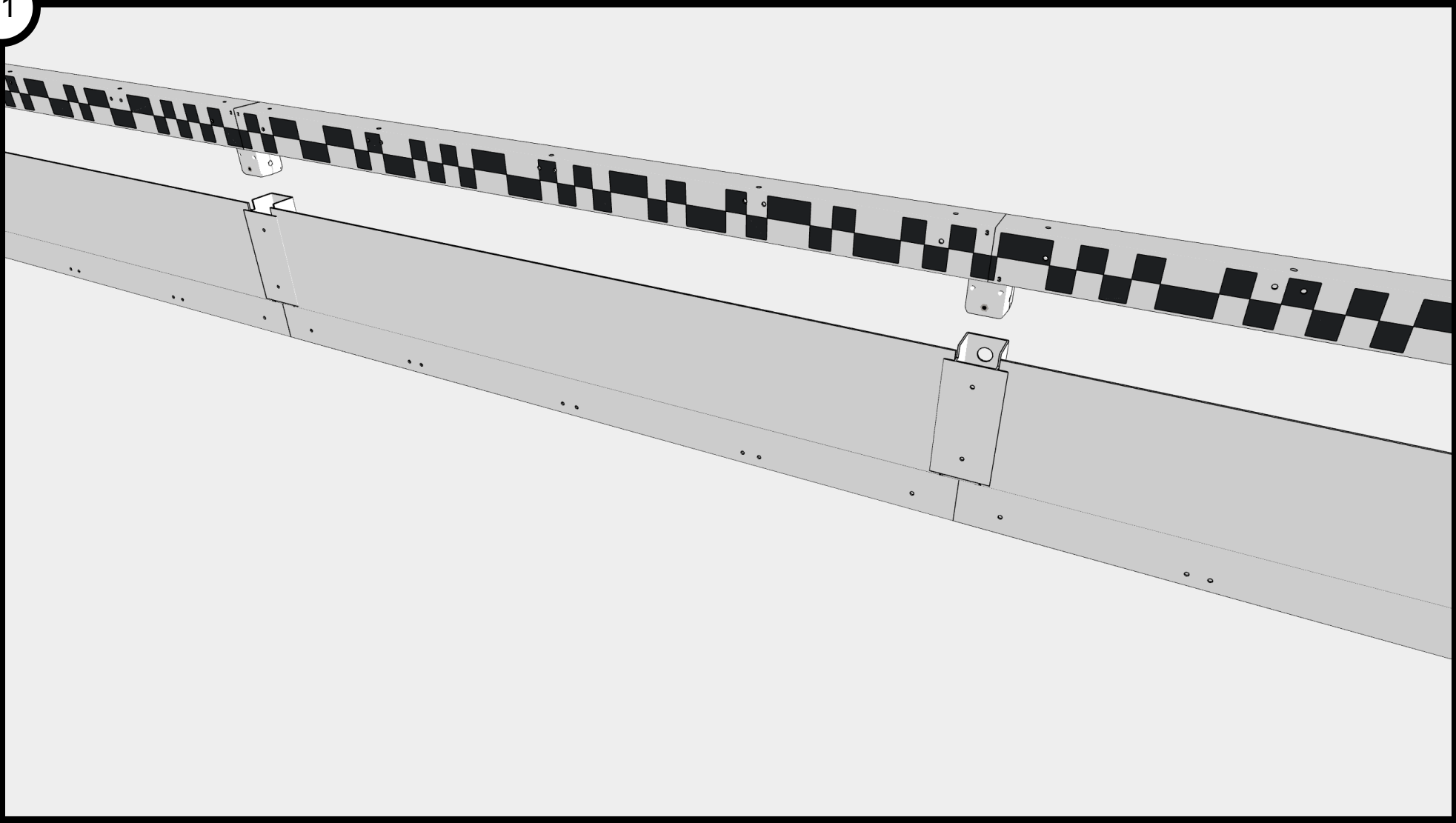


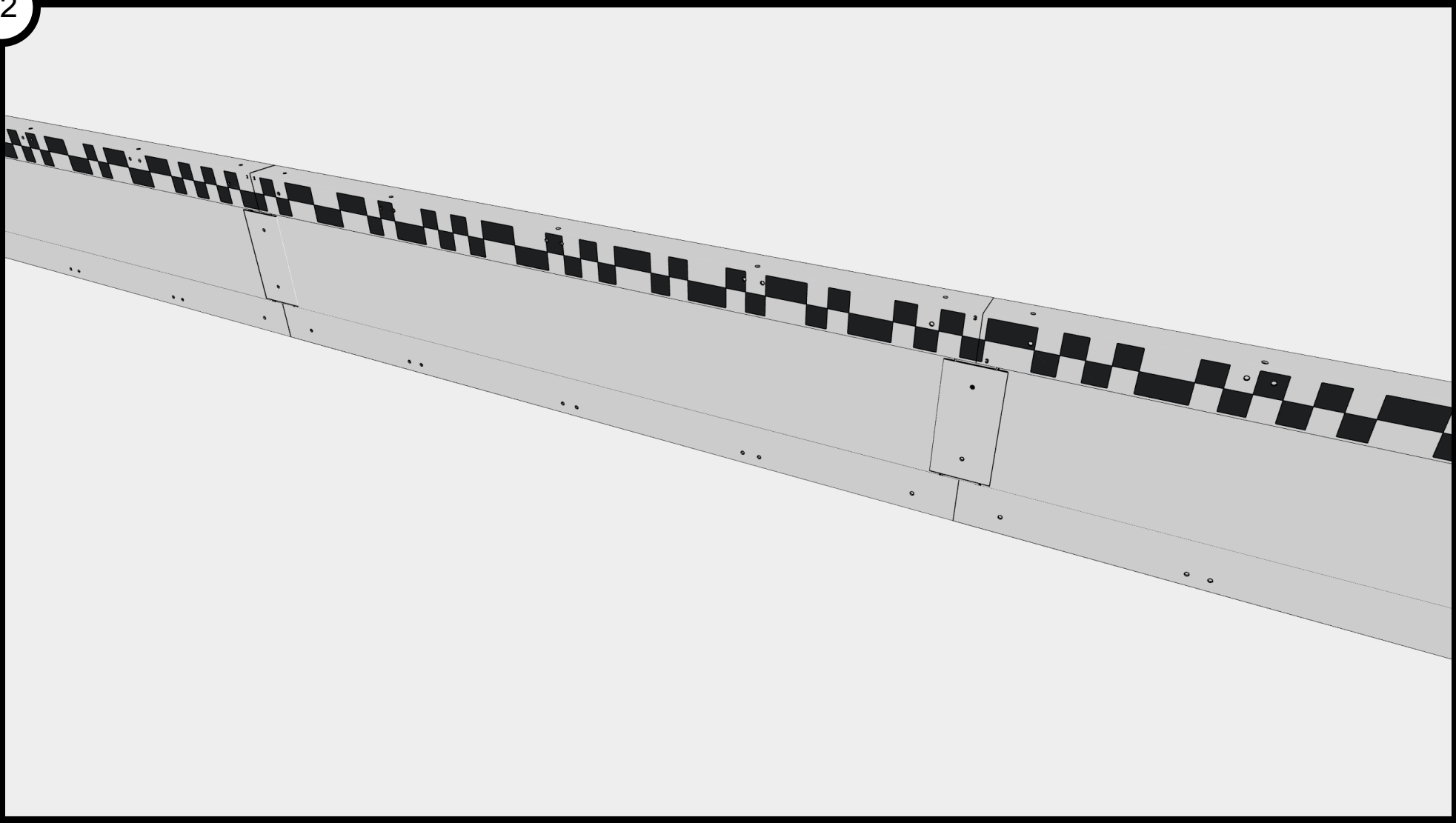
10

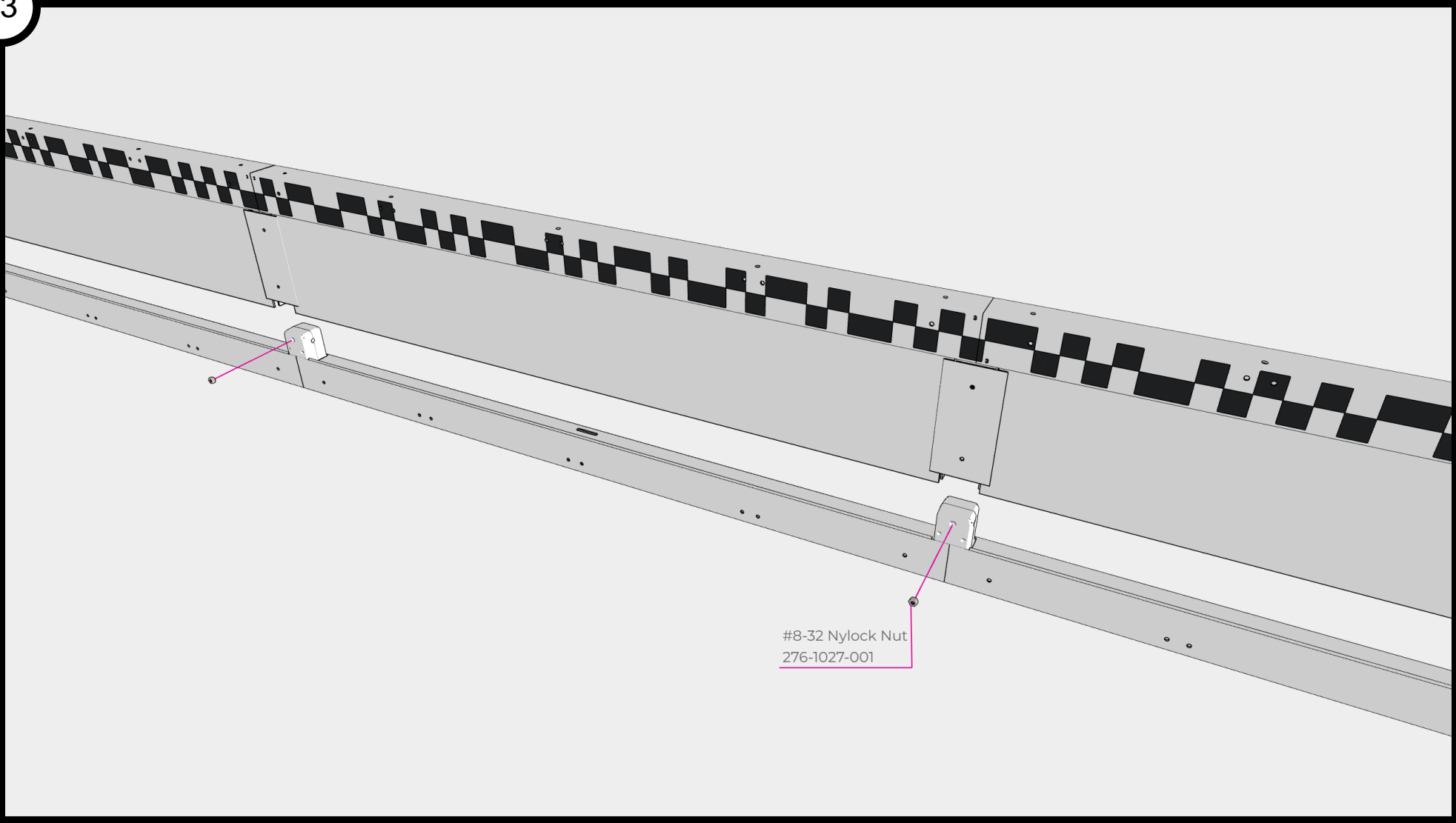


#8-32 Nylock Nut
276-1027-001

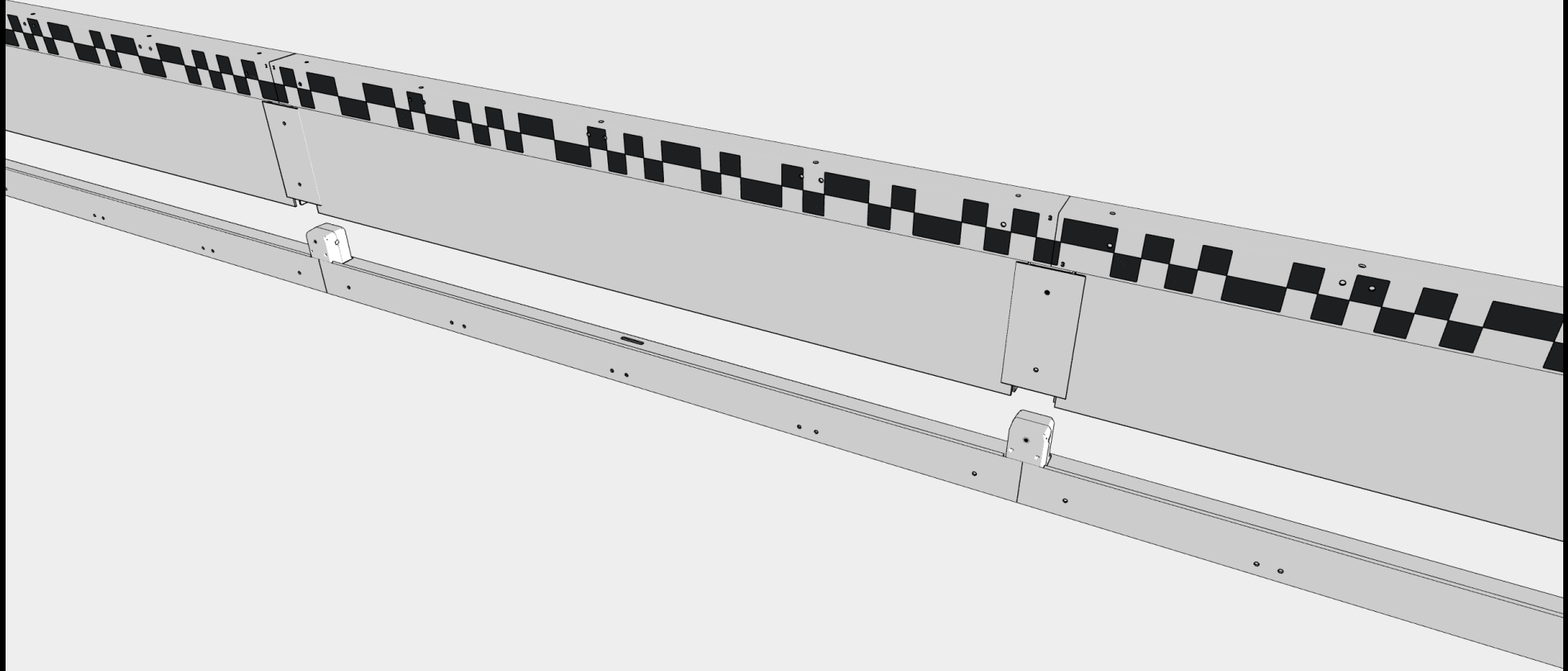
11

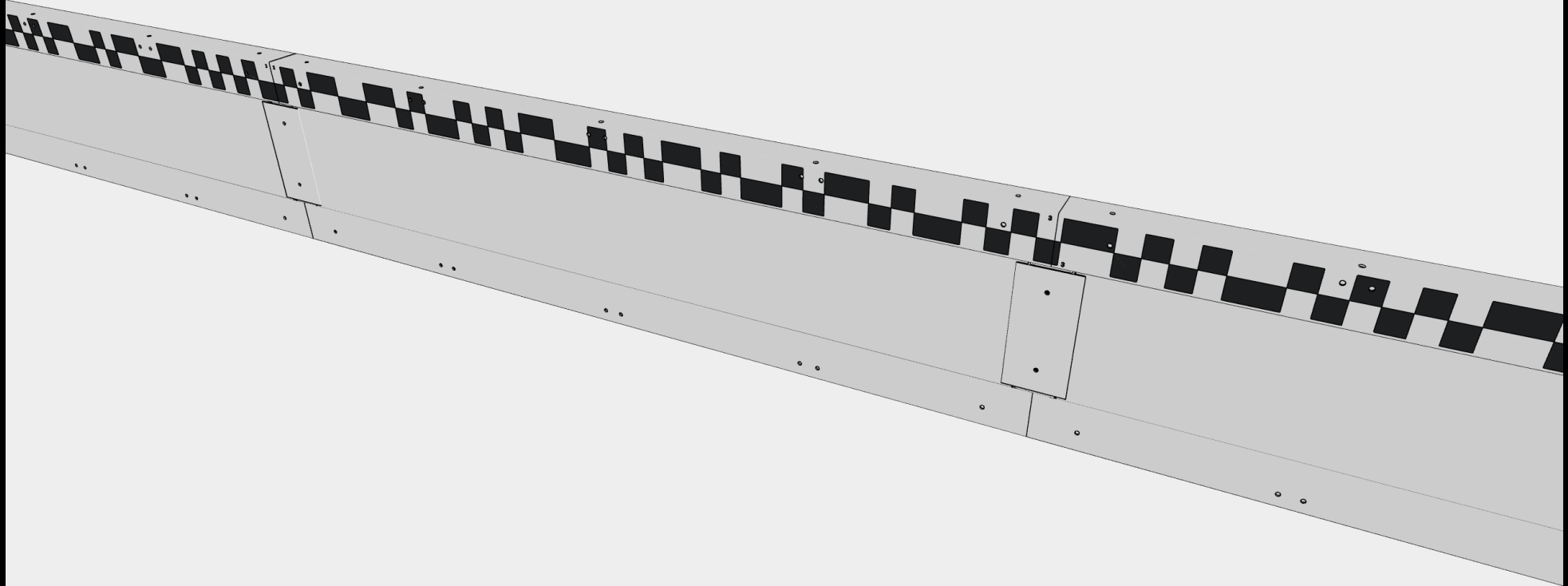




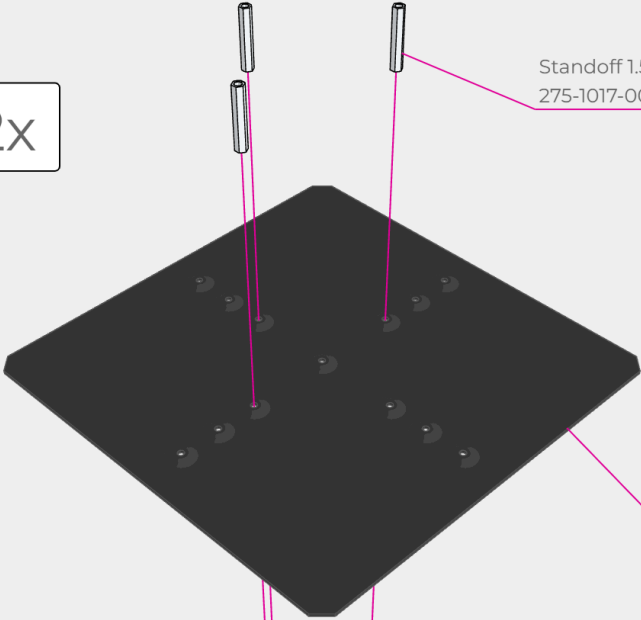


#8-32 Nylock Nut
276-1027-001





2x



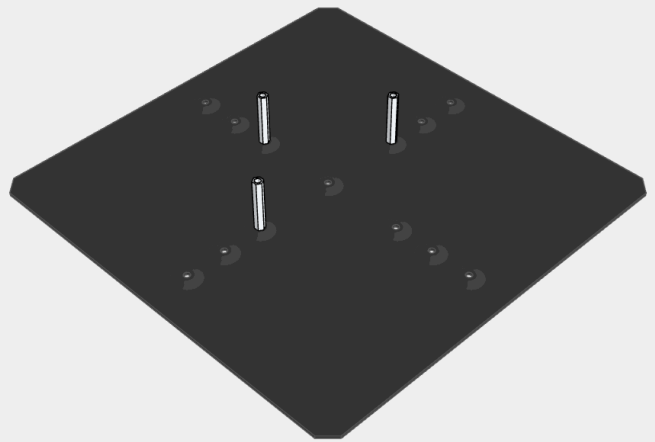
Standoff 1.50"
275-1017-001

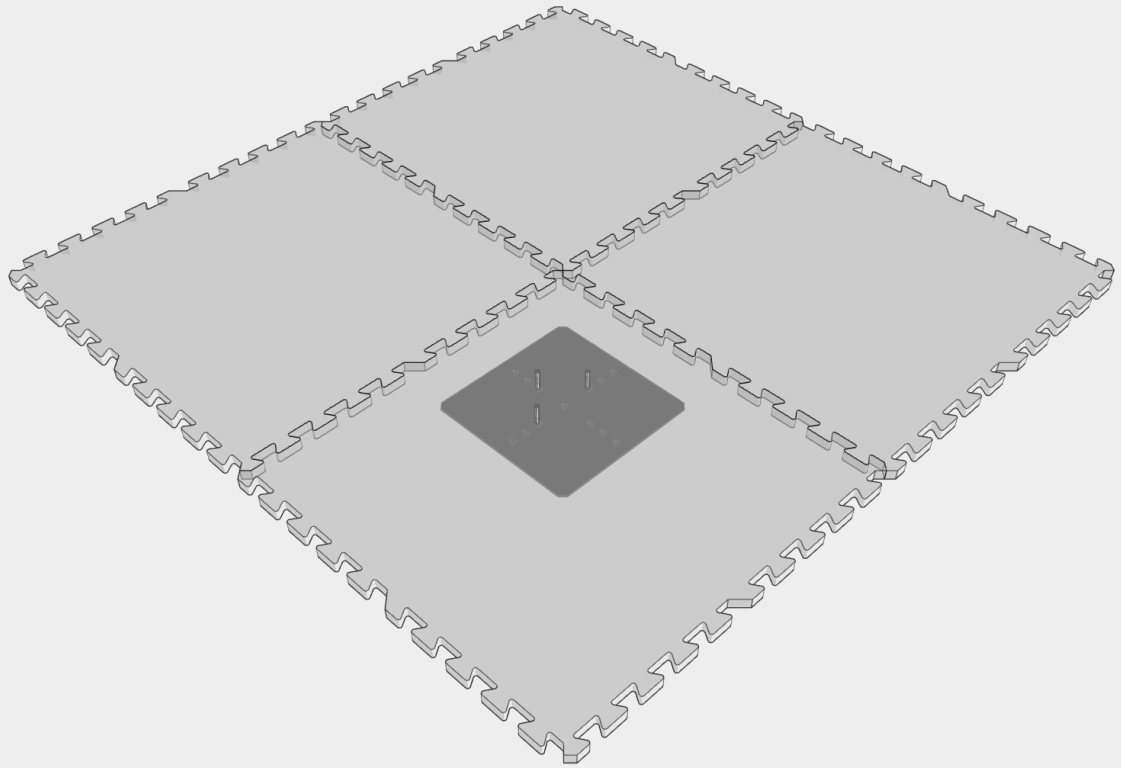
√RC Under Tile Plate
276-4847-011

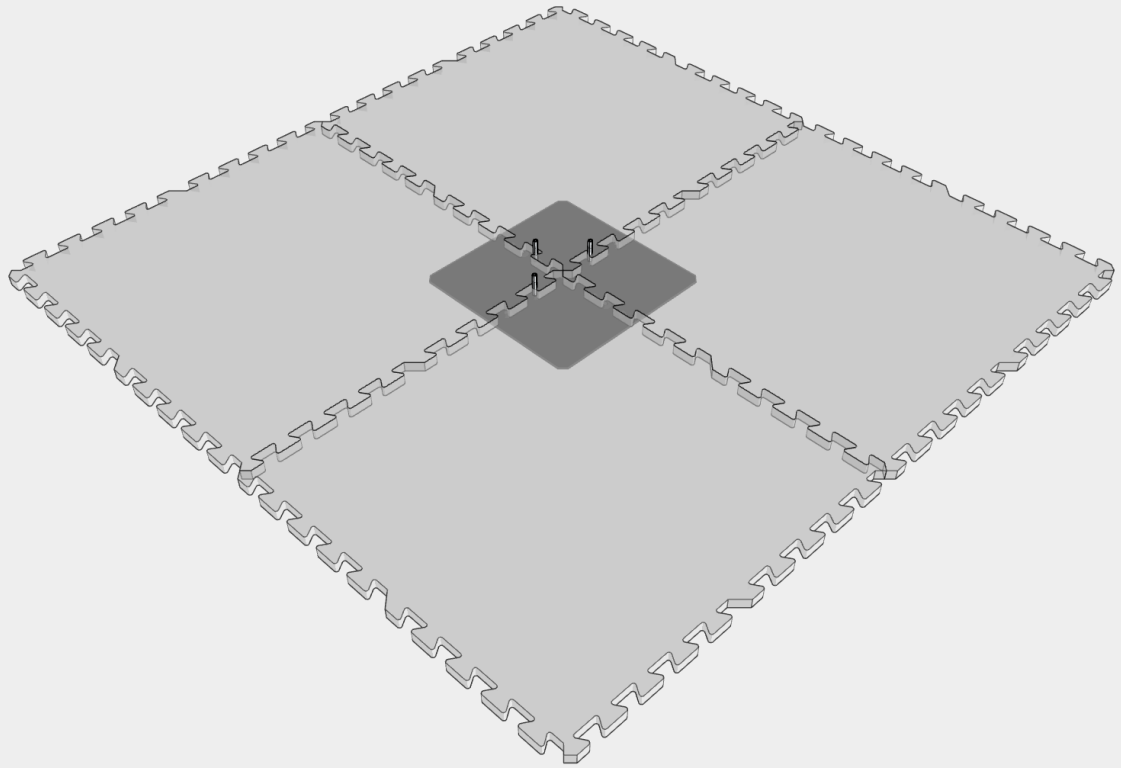
Star Drive Screw 8-32 x 1/4" Locking
276-5006-001

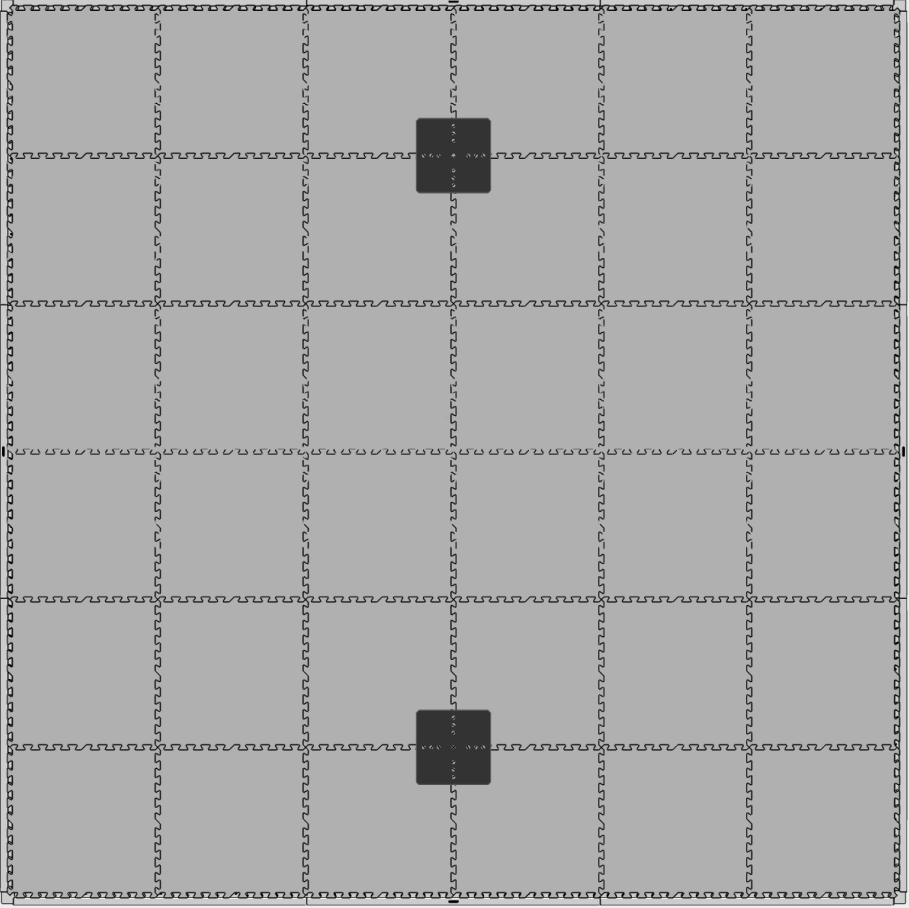
17

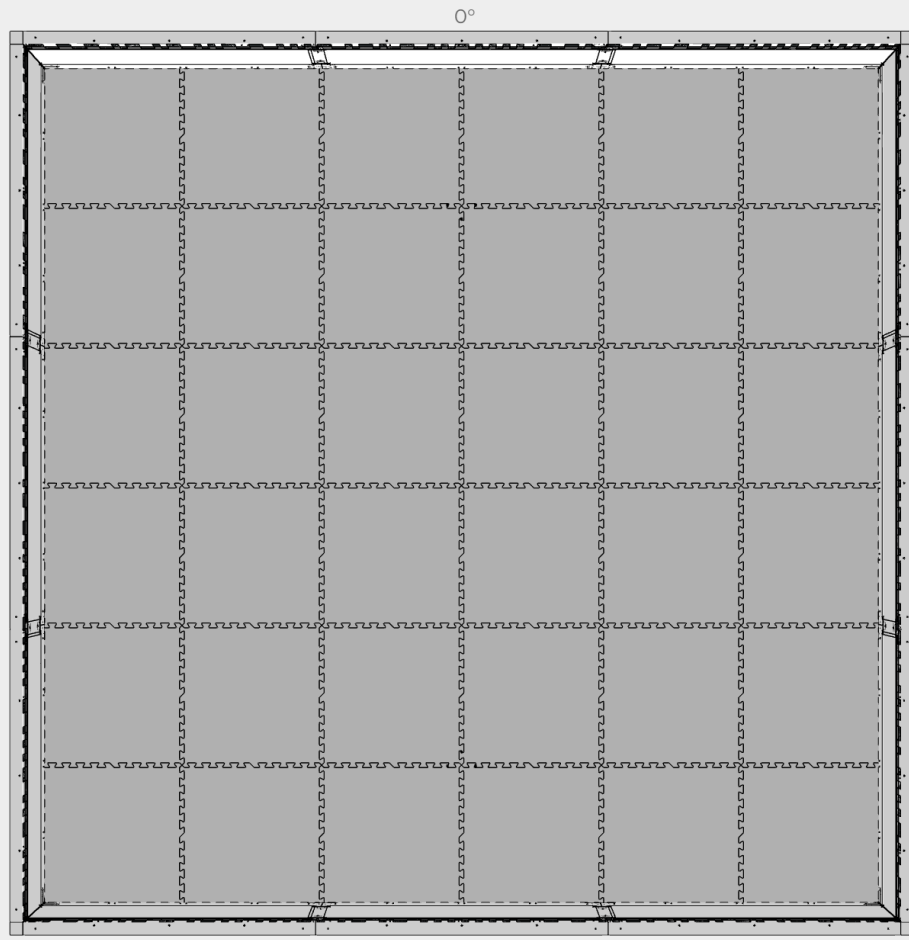
2x

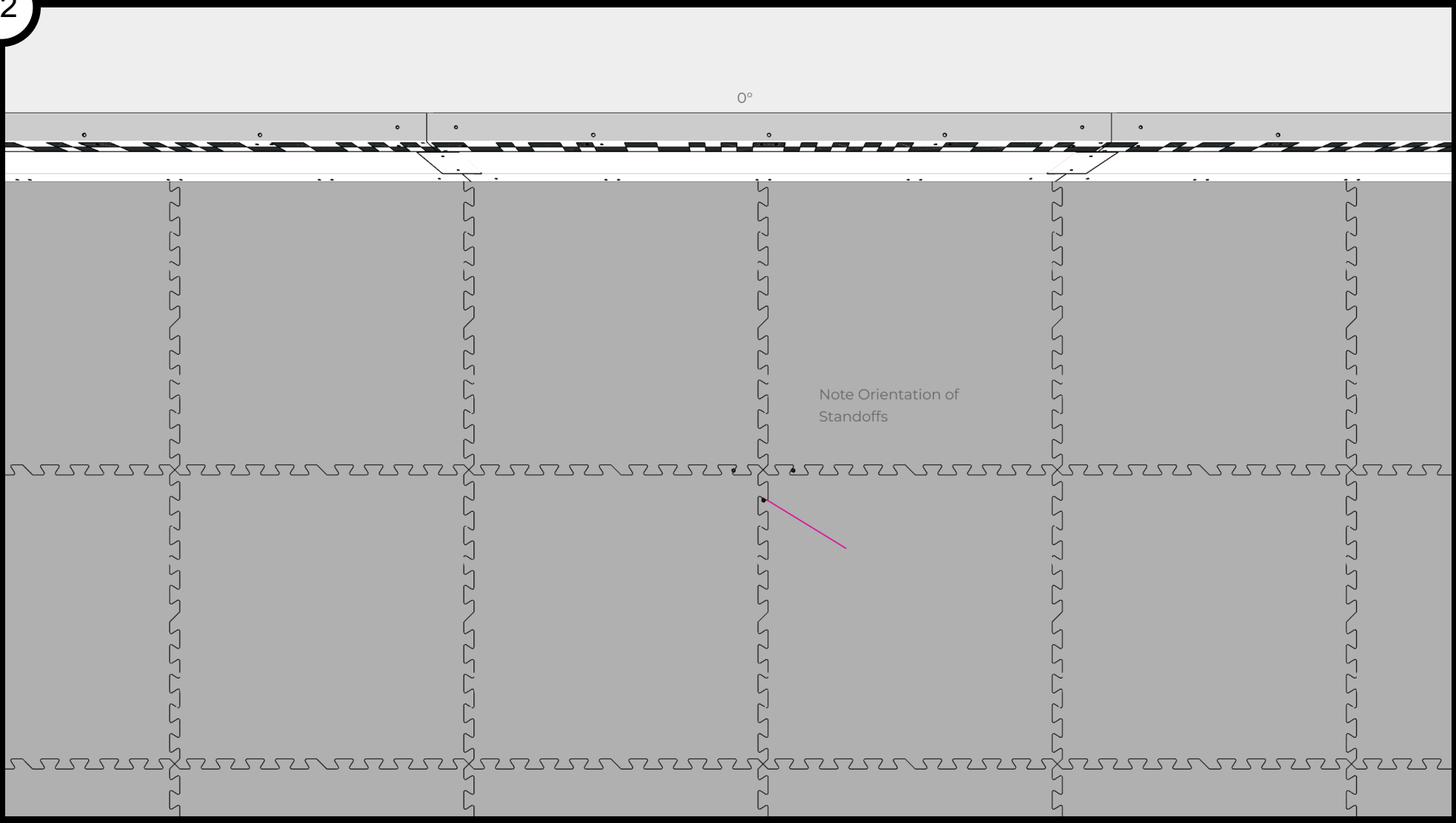




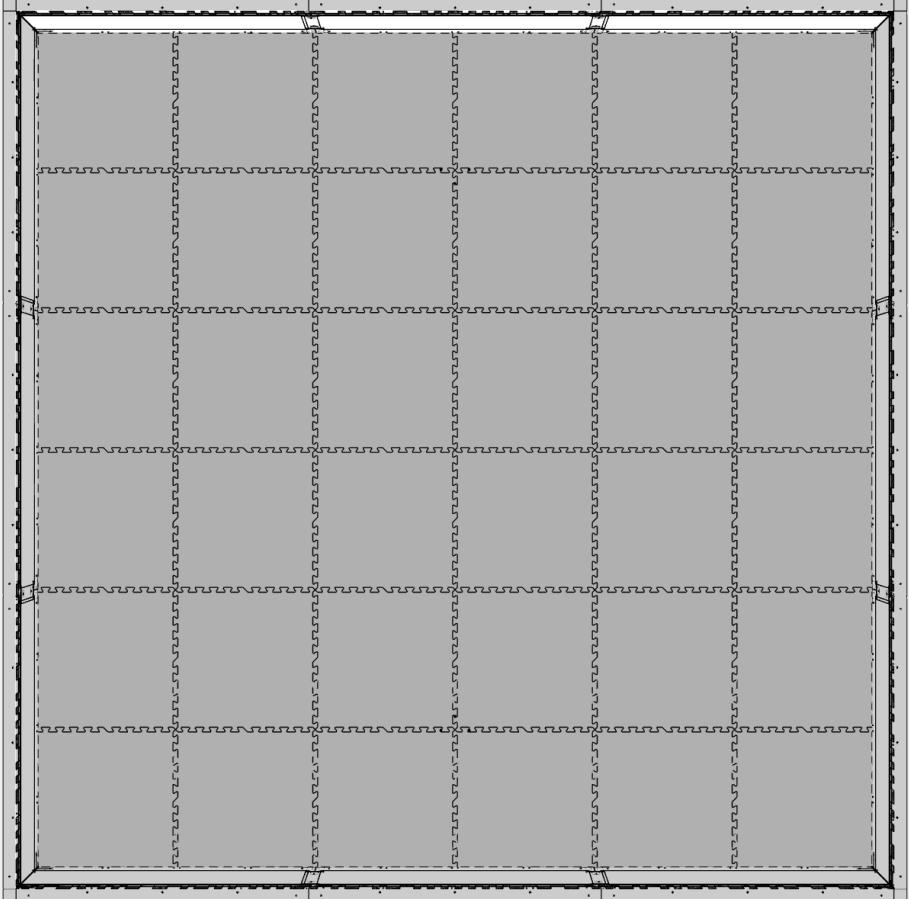




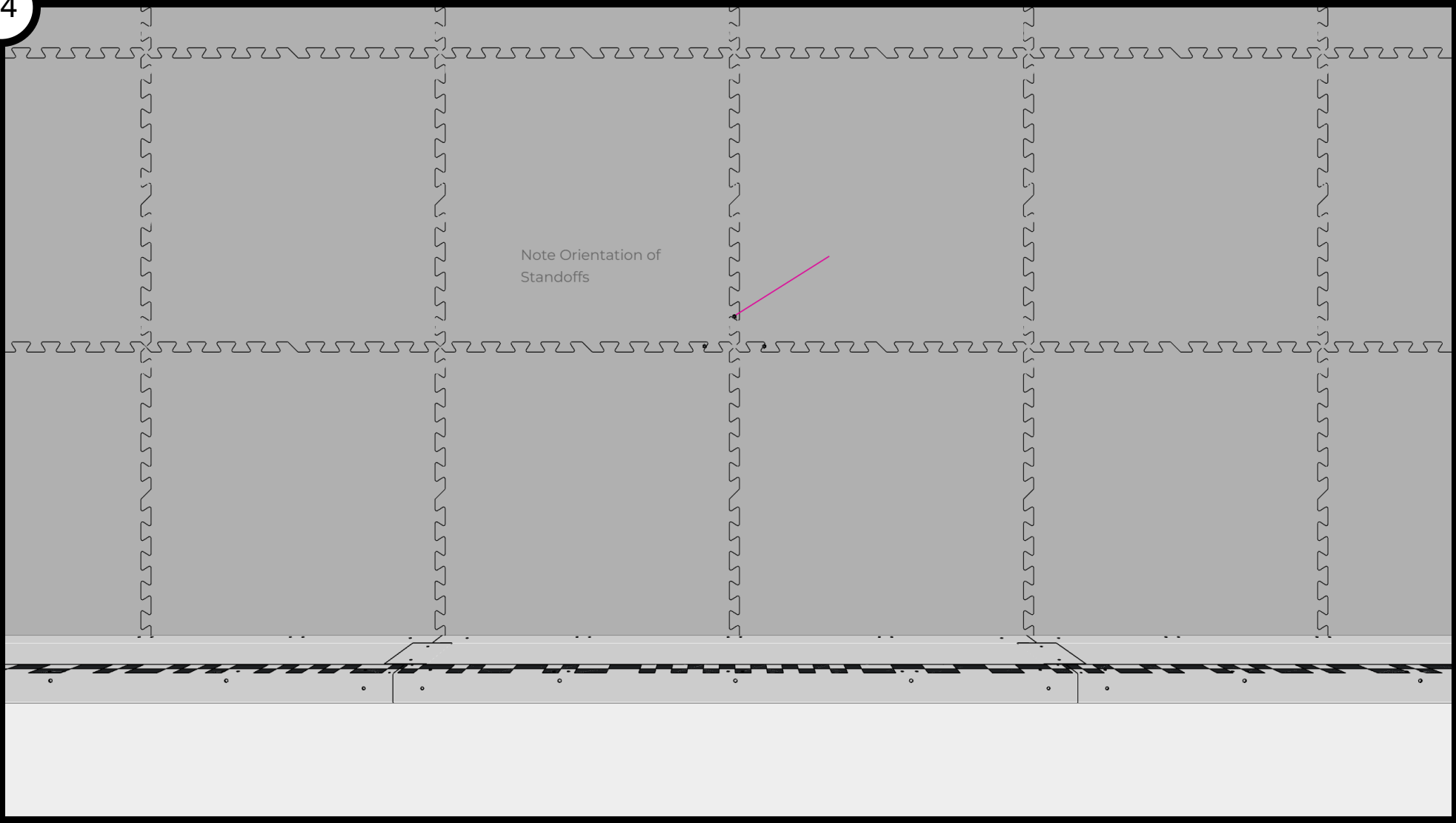




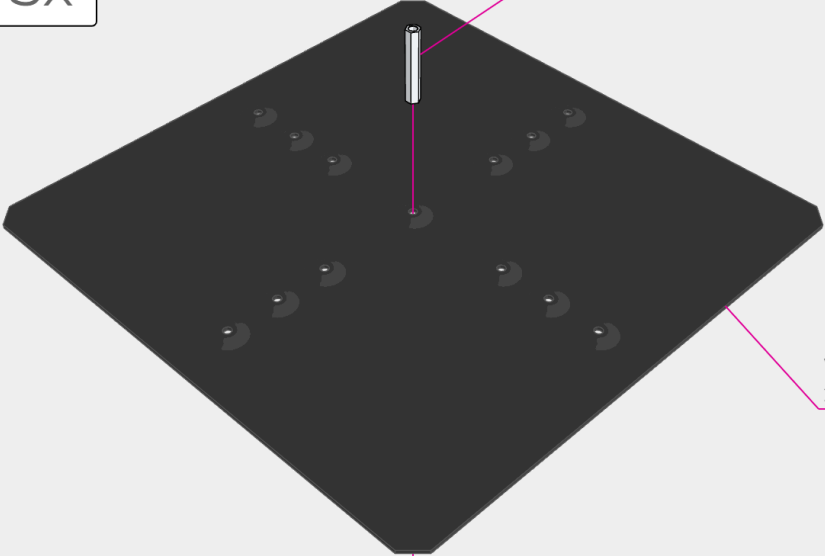
0°



Note Orientation of
Standoffs



5x

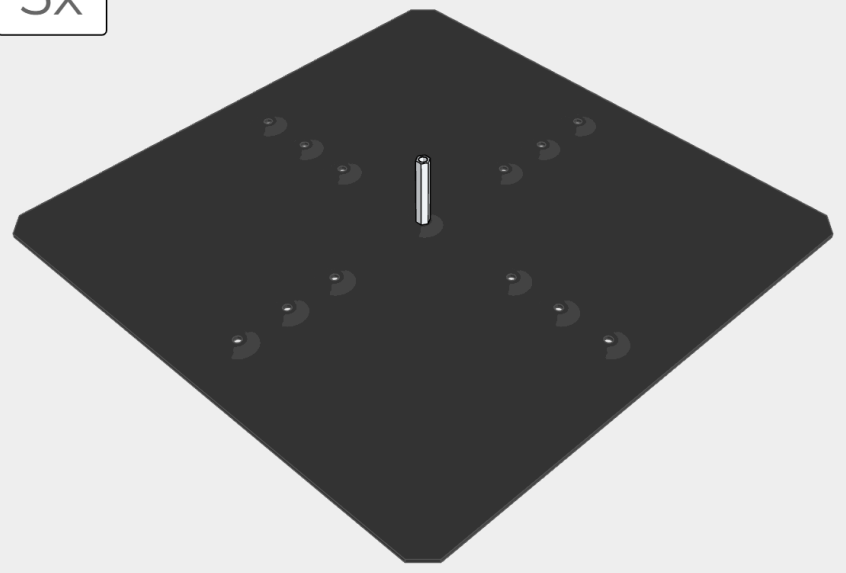


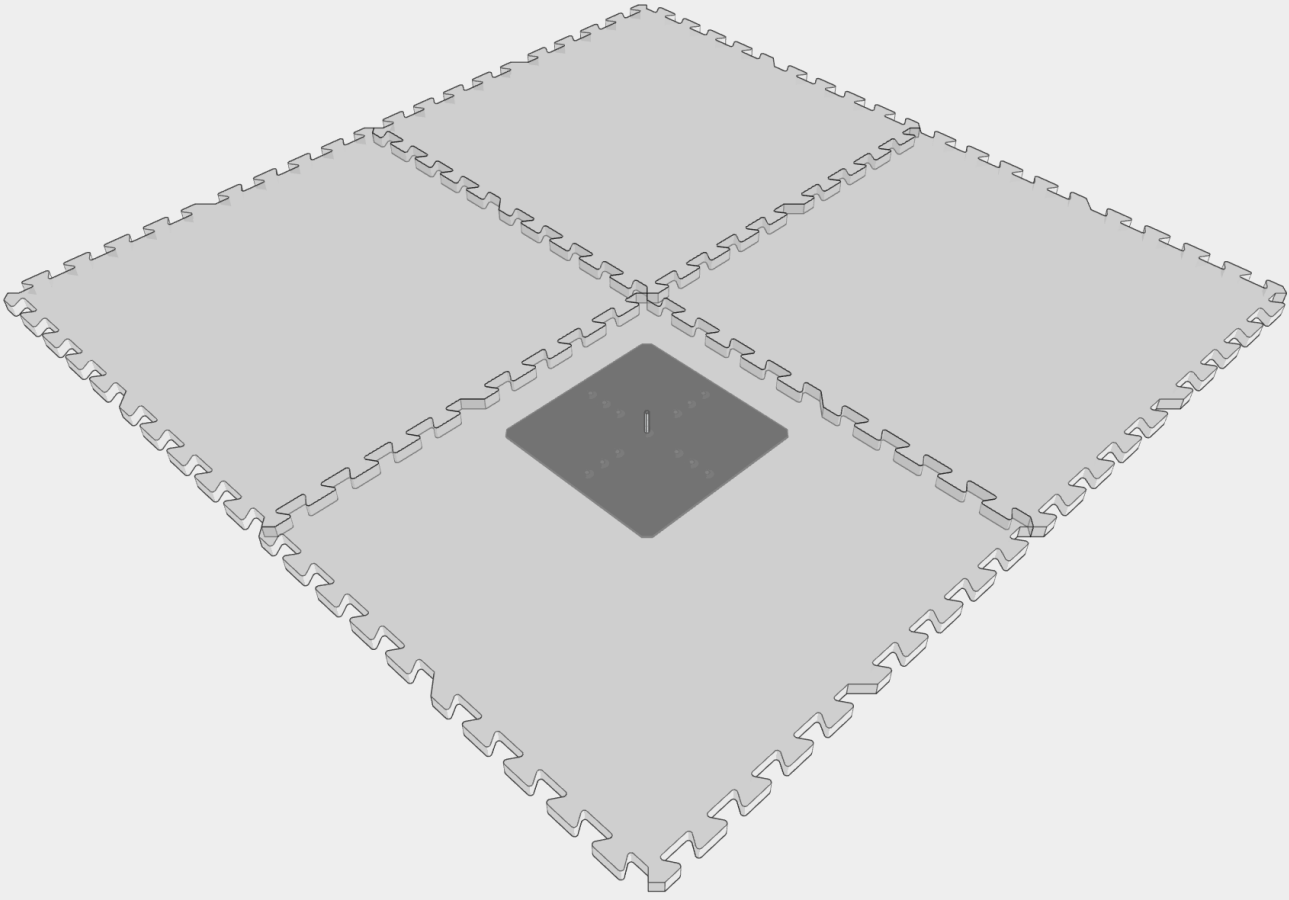
1.50" Standoff
275-1017-001

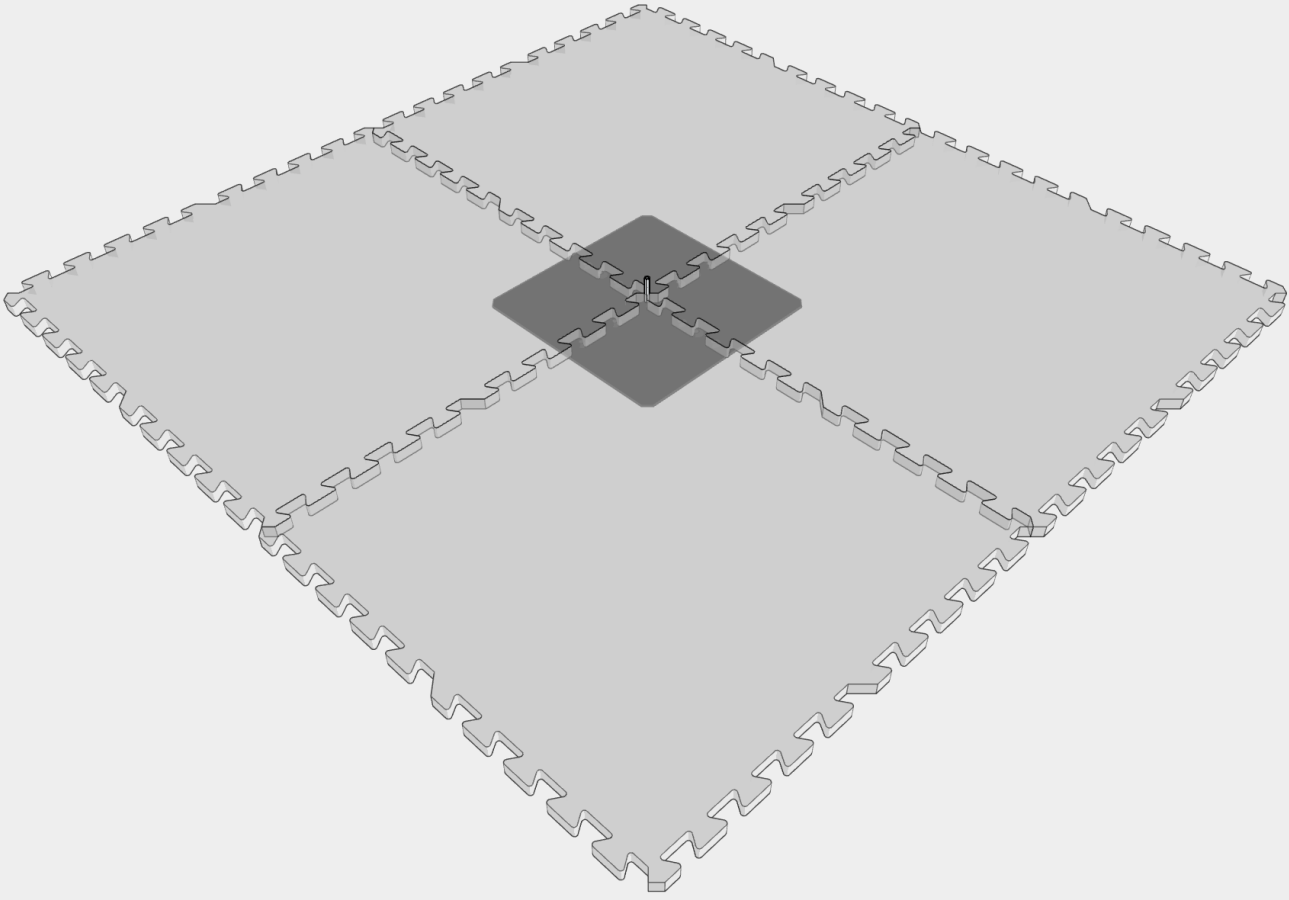
VRC Under Tile Plate
276-484.7-011

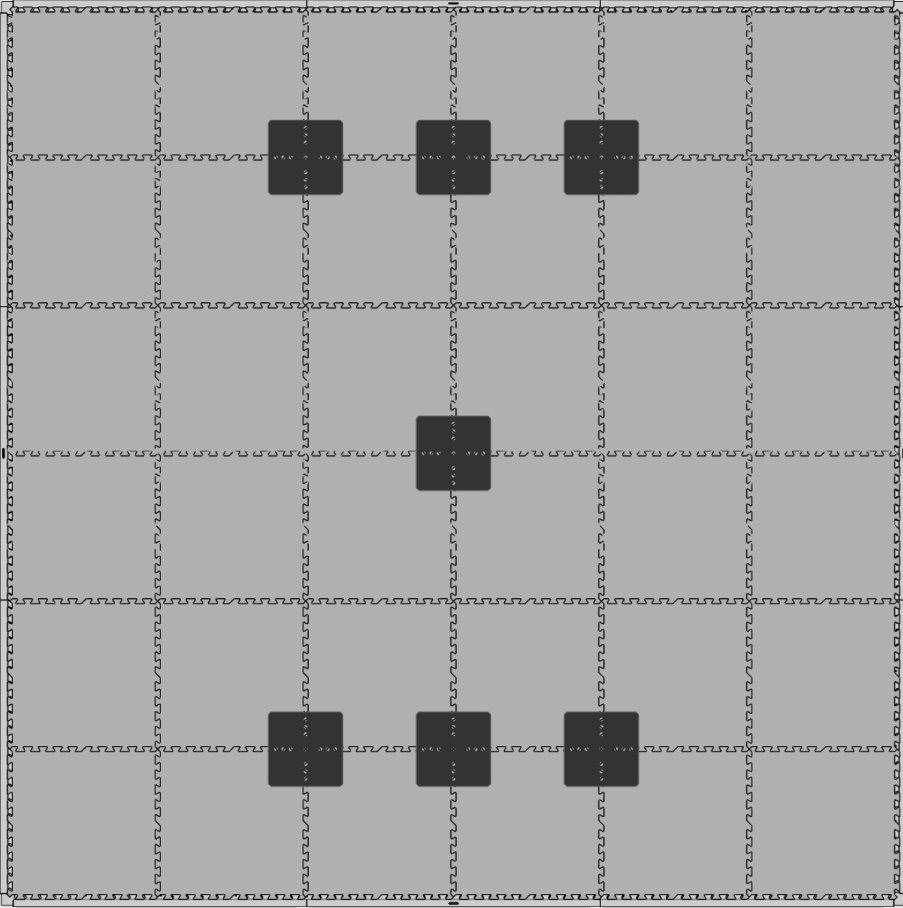
Star Drive Screw 8-32 x 1/4" Locking
276-5006-001

5x

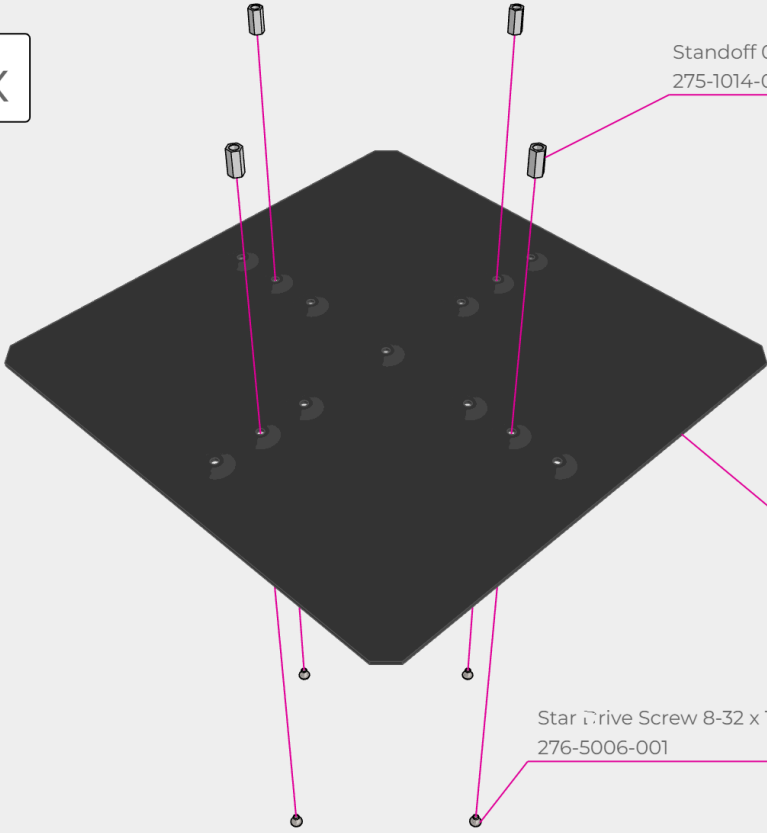








4X

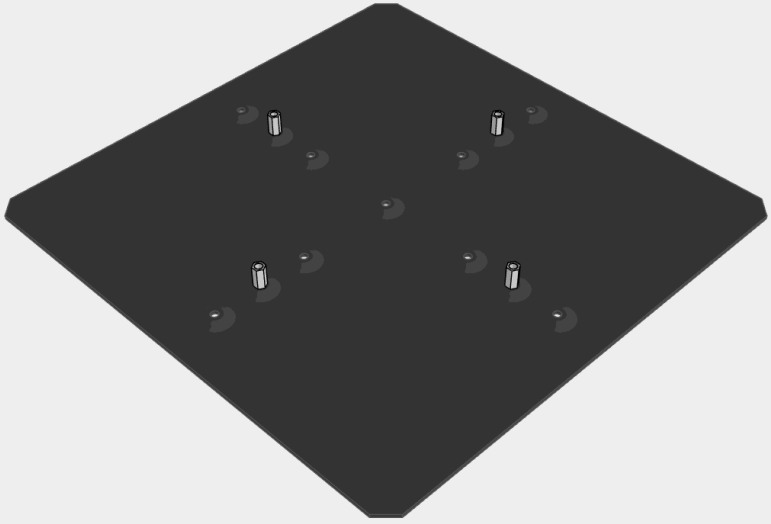


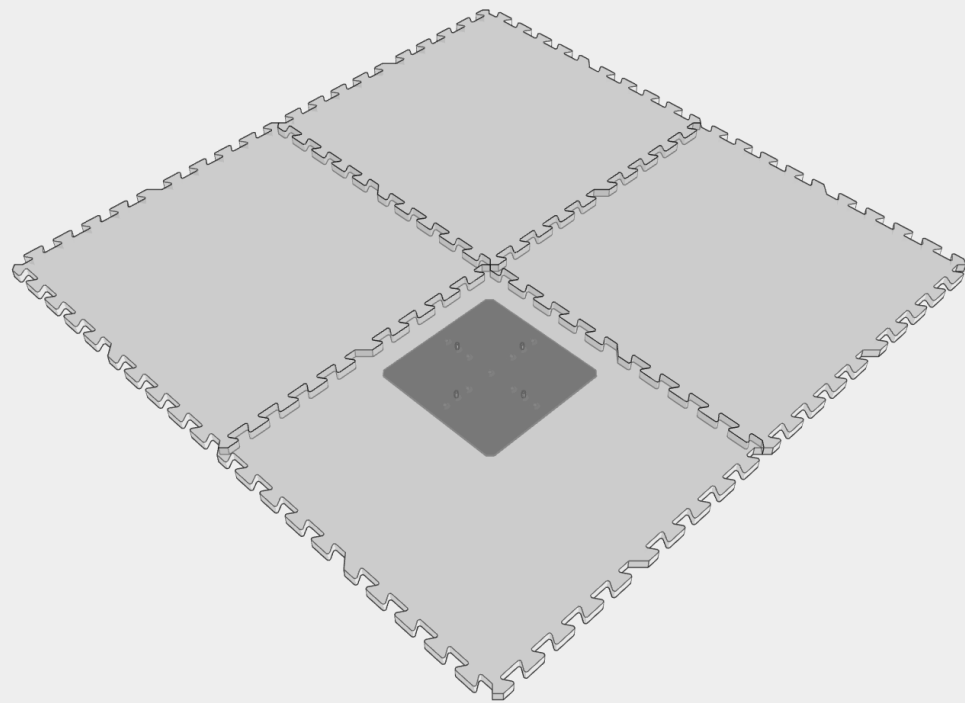
Standoff 0.50"
275-1014-001

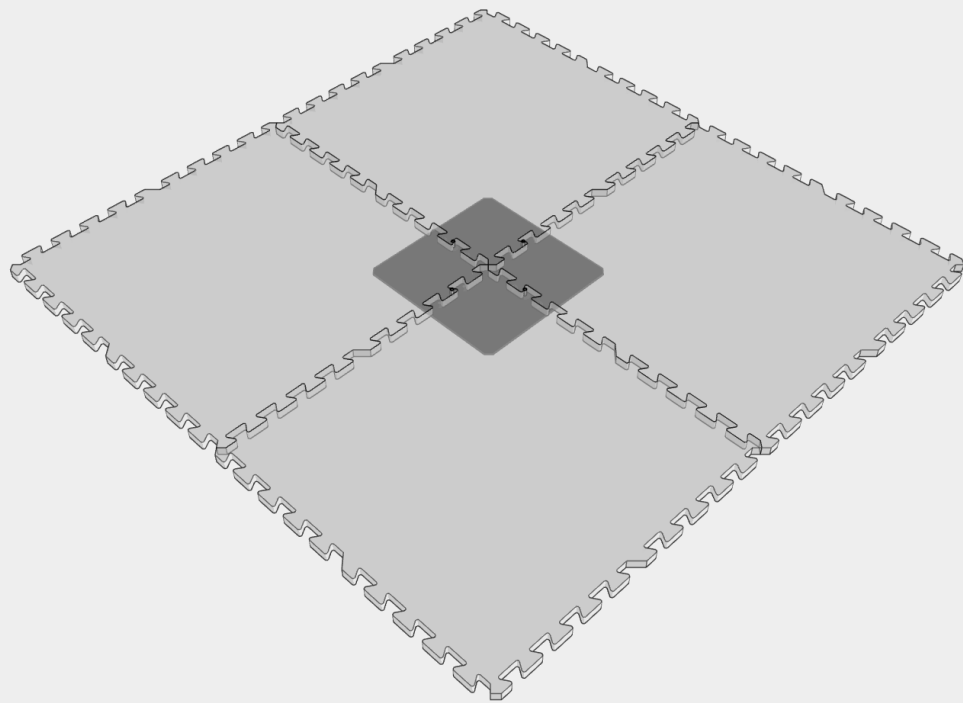
VRC Under Tile Plate
276-4847-011

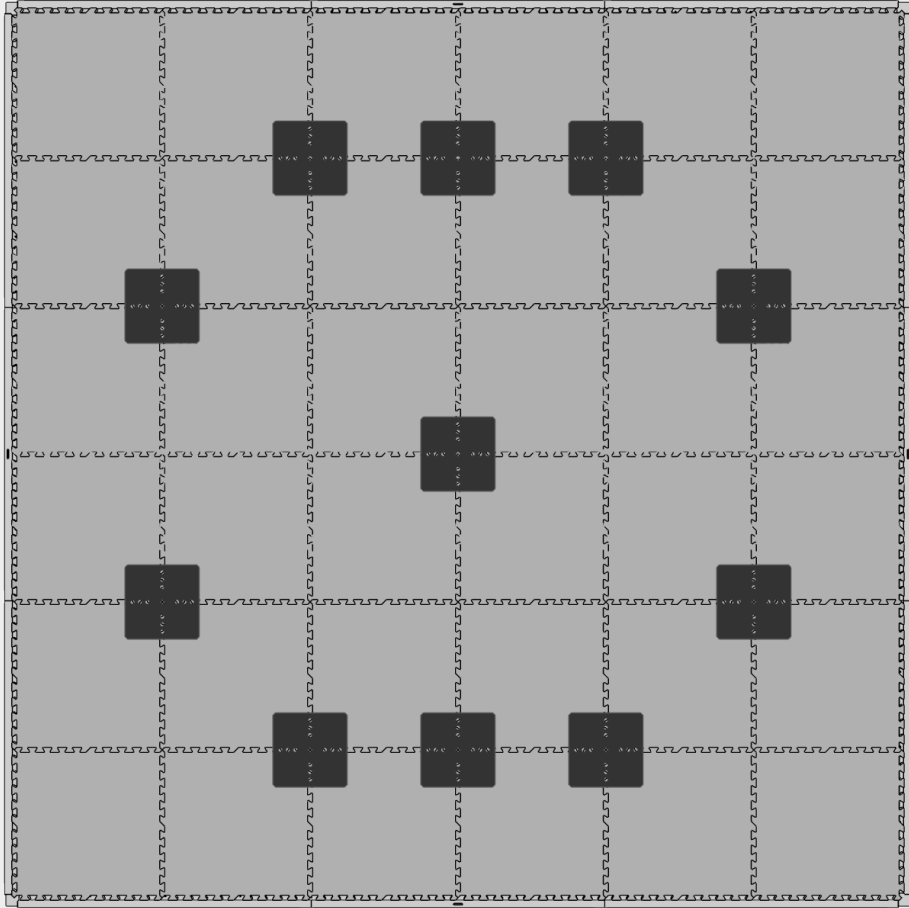
Star Drive Screw 8-32 x 1/4" Locking
276-5006-001

4x

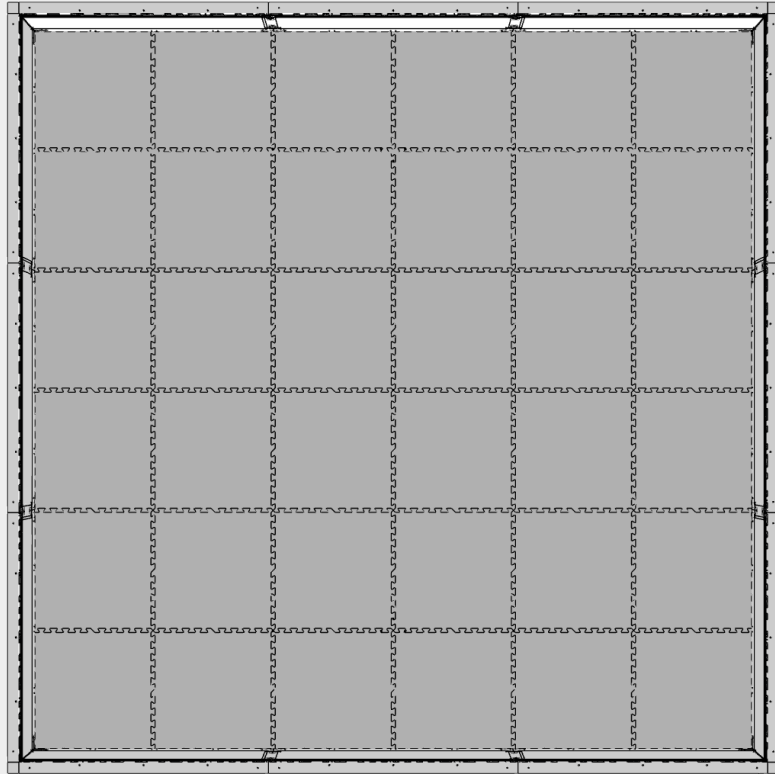




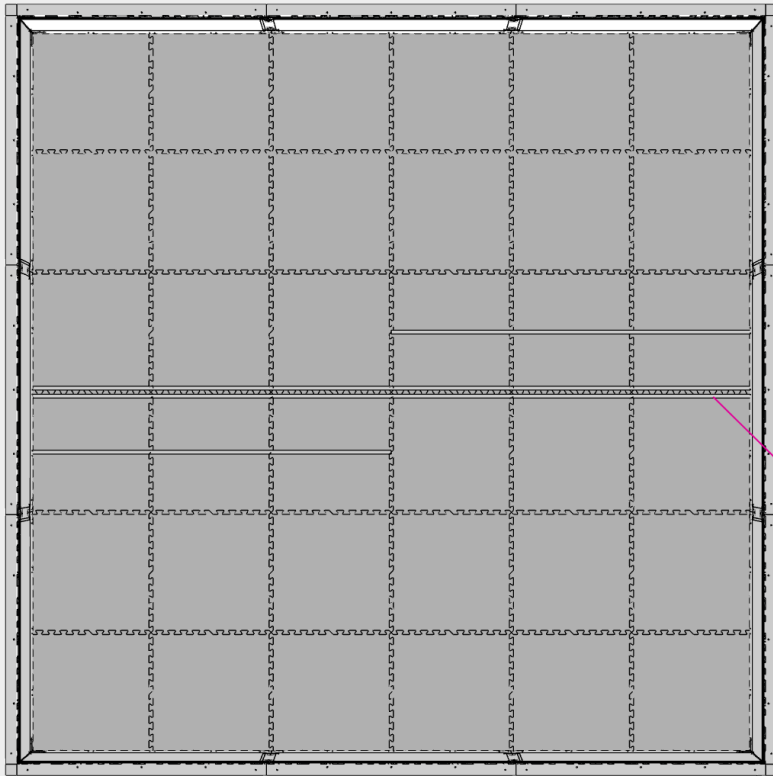




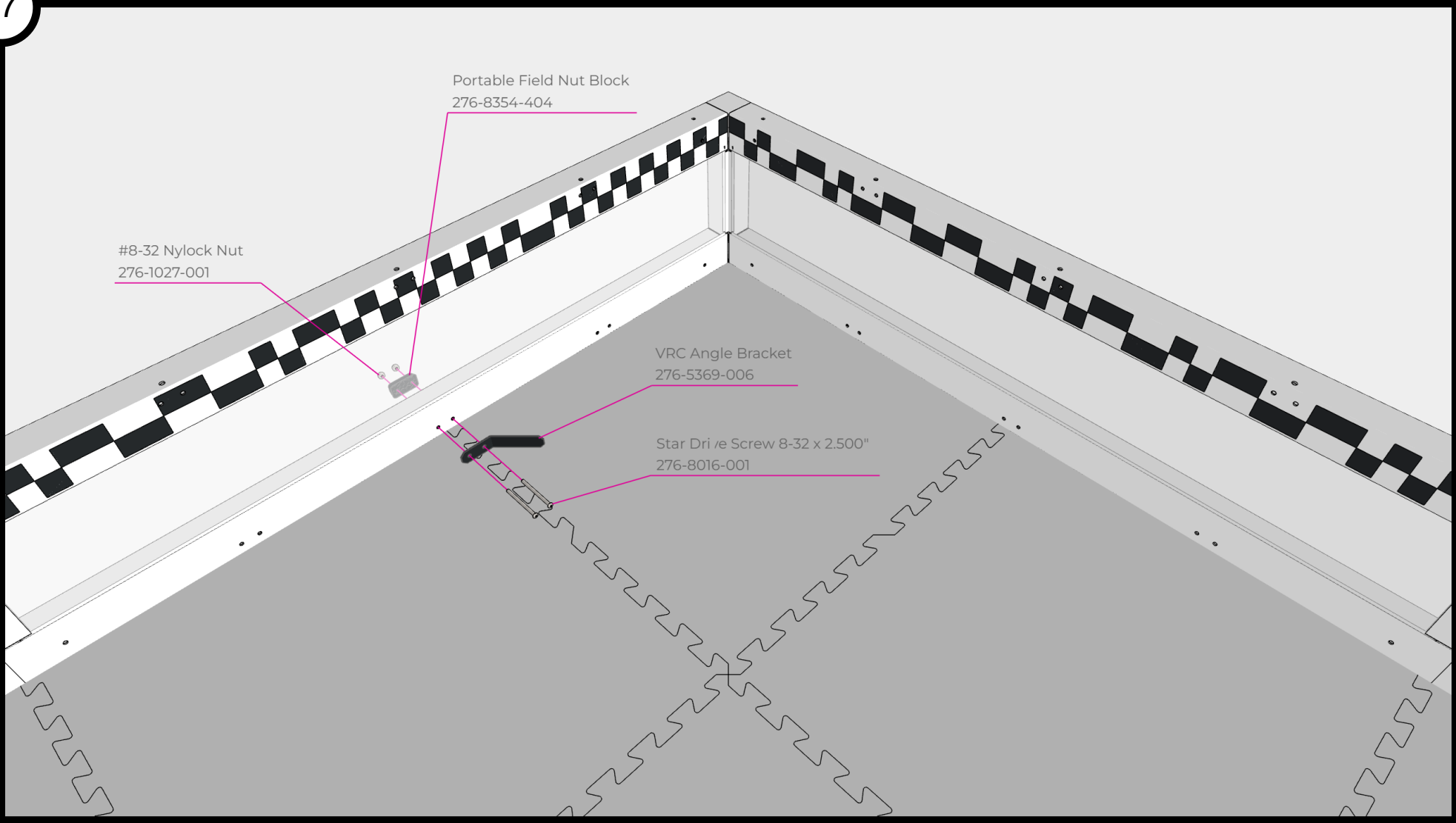
0°



0°



White Electrical Tape
276-4847-201

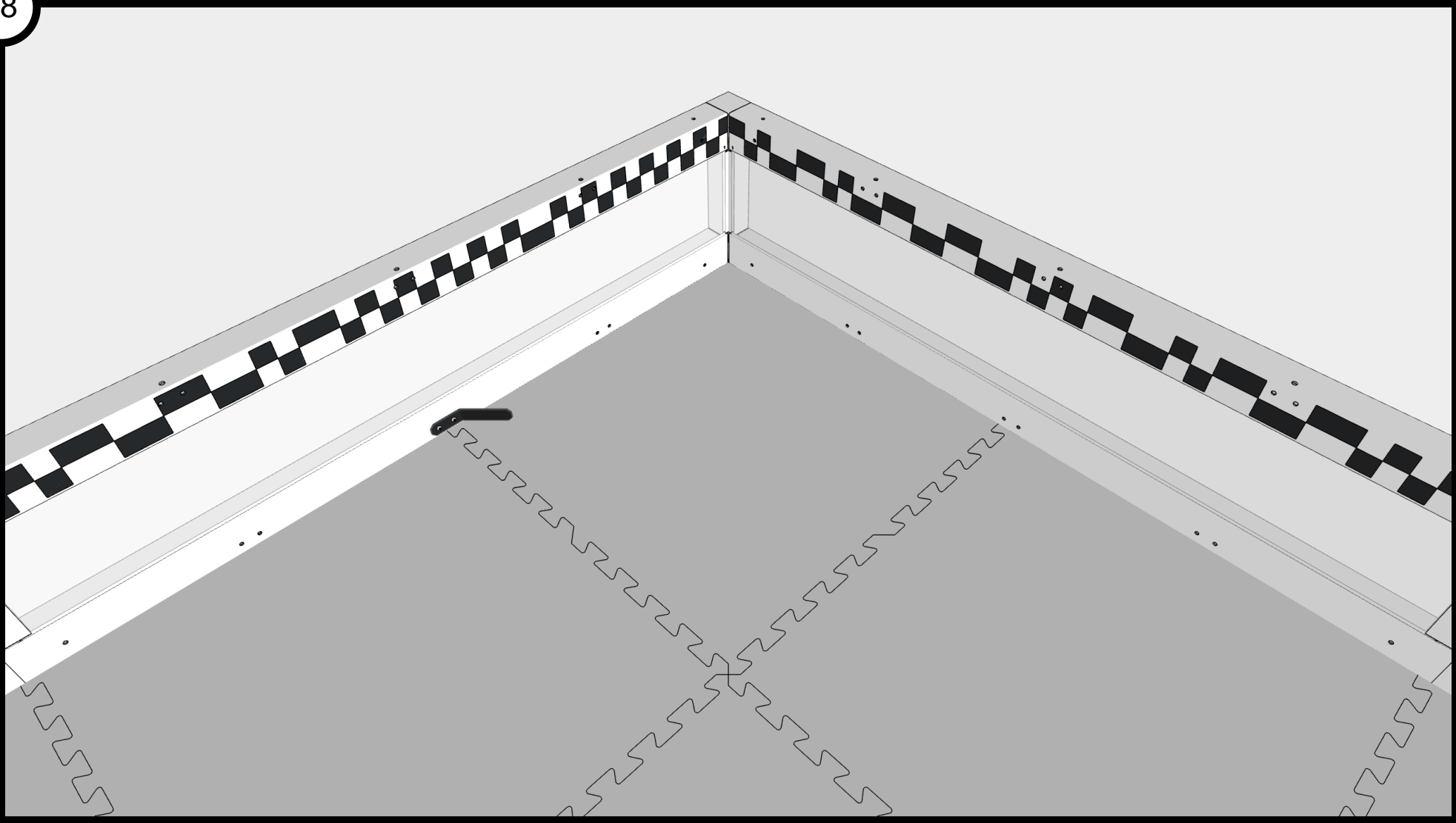


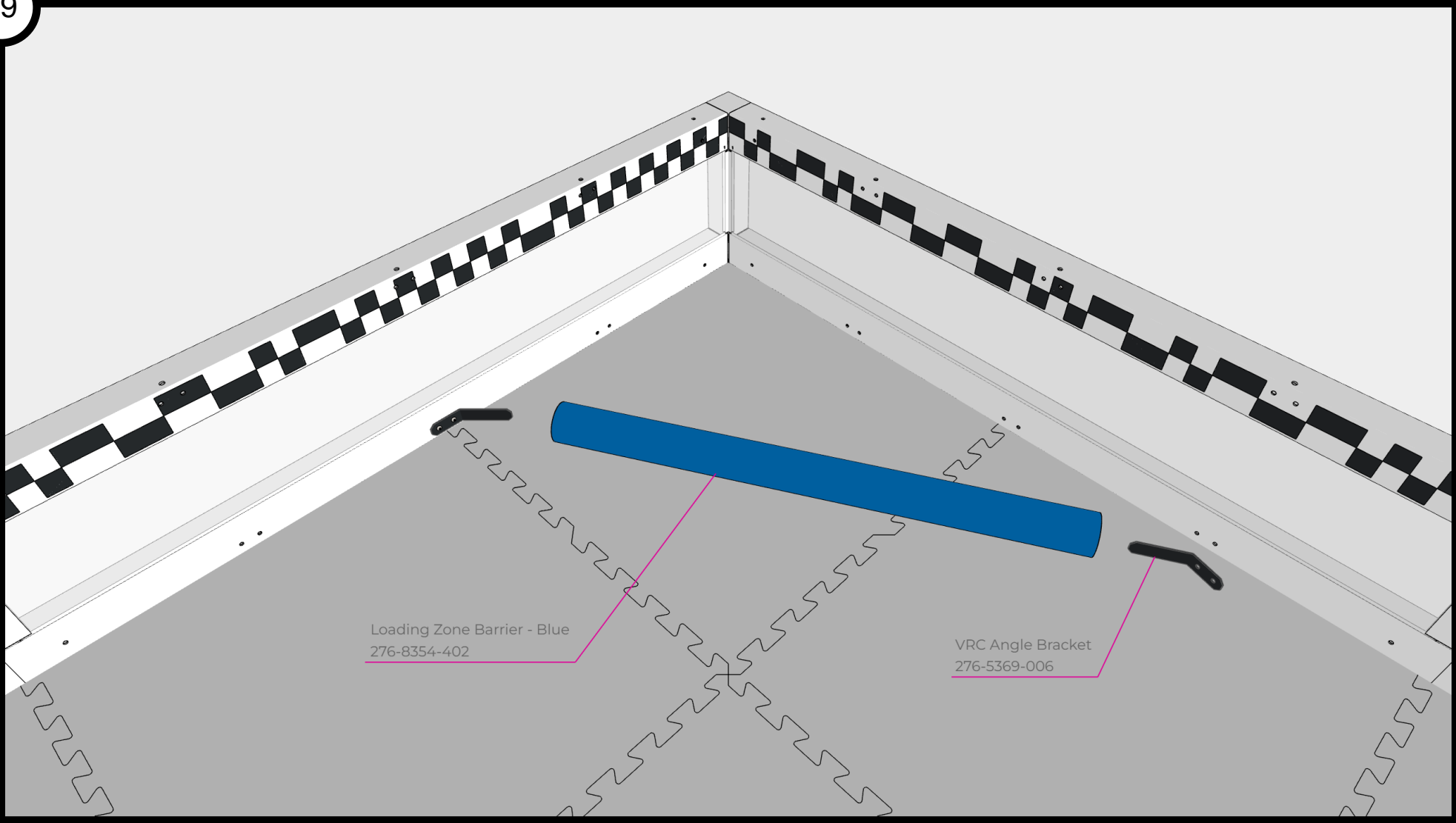
Portable Field Nut Block
276-8354-404

#8-32 Nylock Nut
276-1027-001

VRC Angle Bracket
276-5369-006

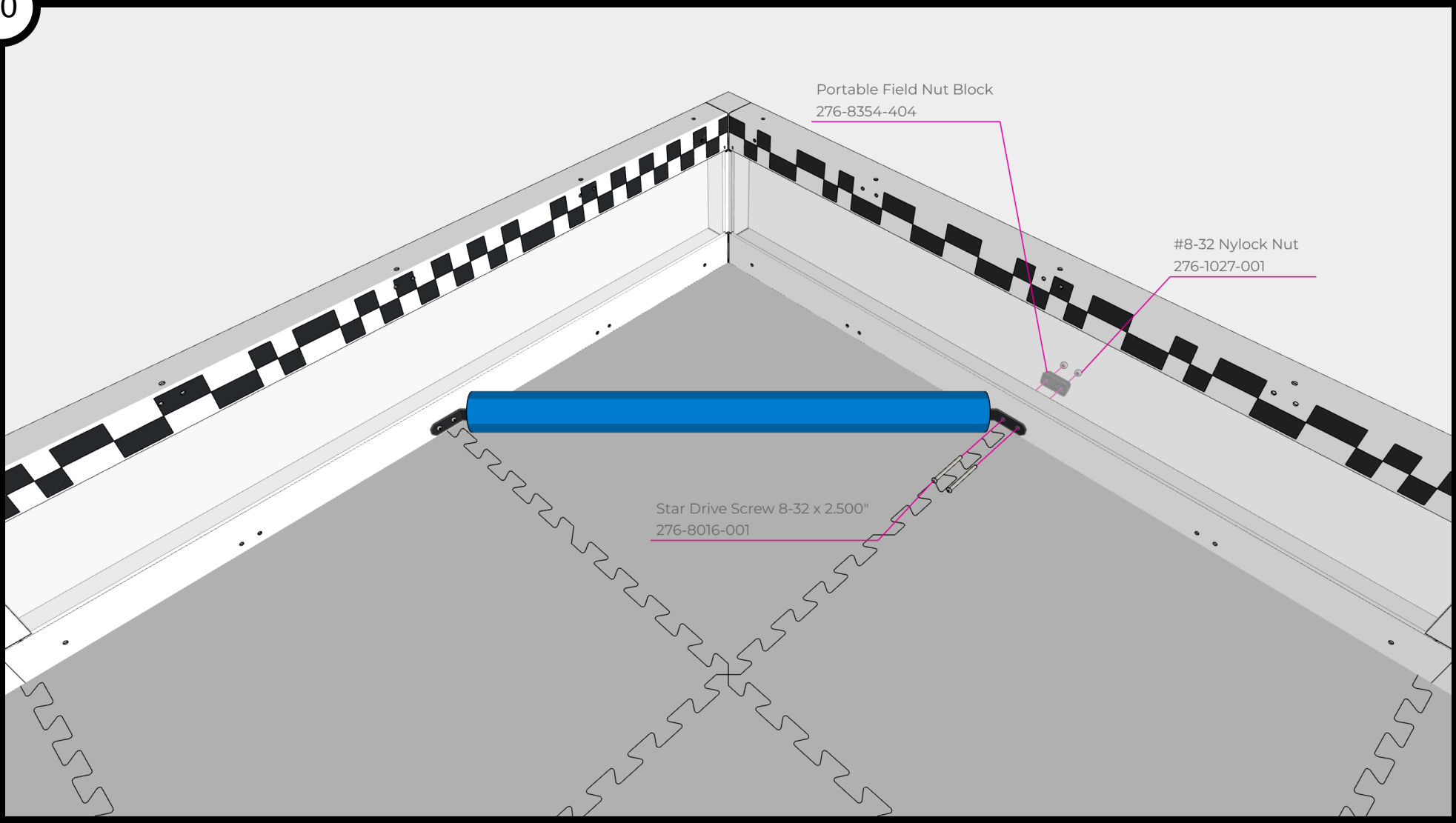
Star Drive Screw 8-32 x 2.500"
276-8016-001





Loading Zone Barrier - Blue
276-8354-402

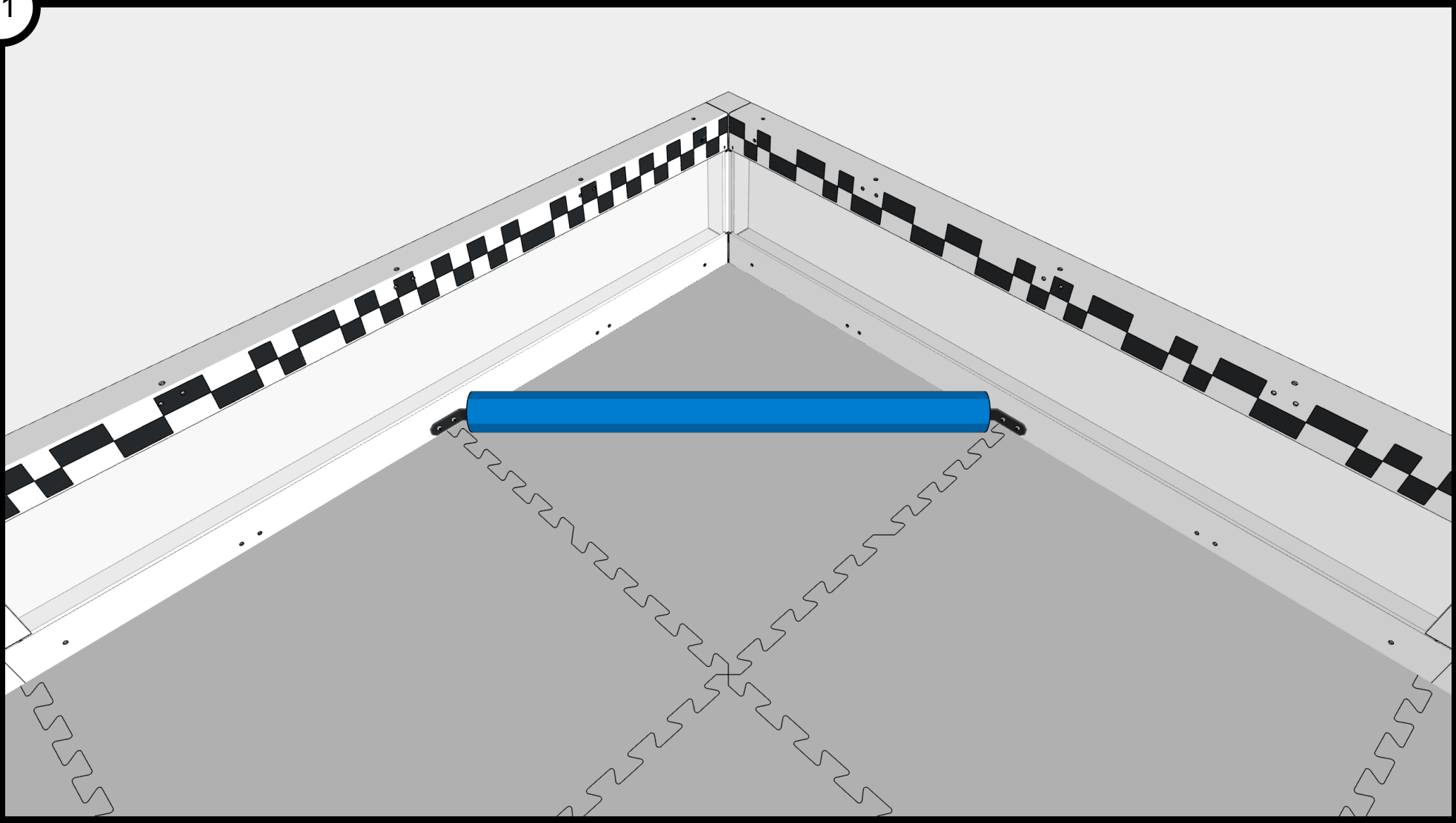
VRC Angle Bracket
276-5369-006

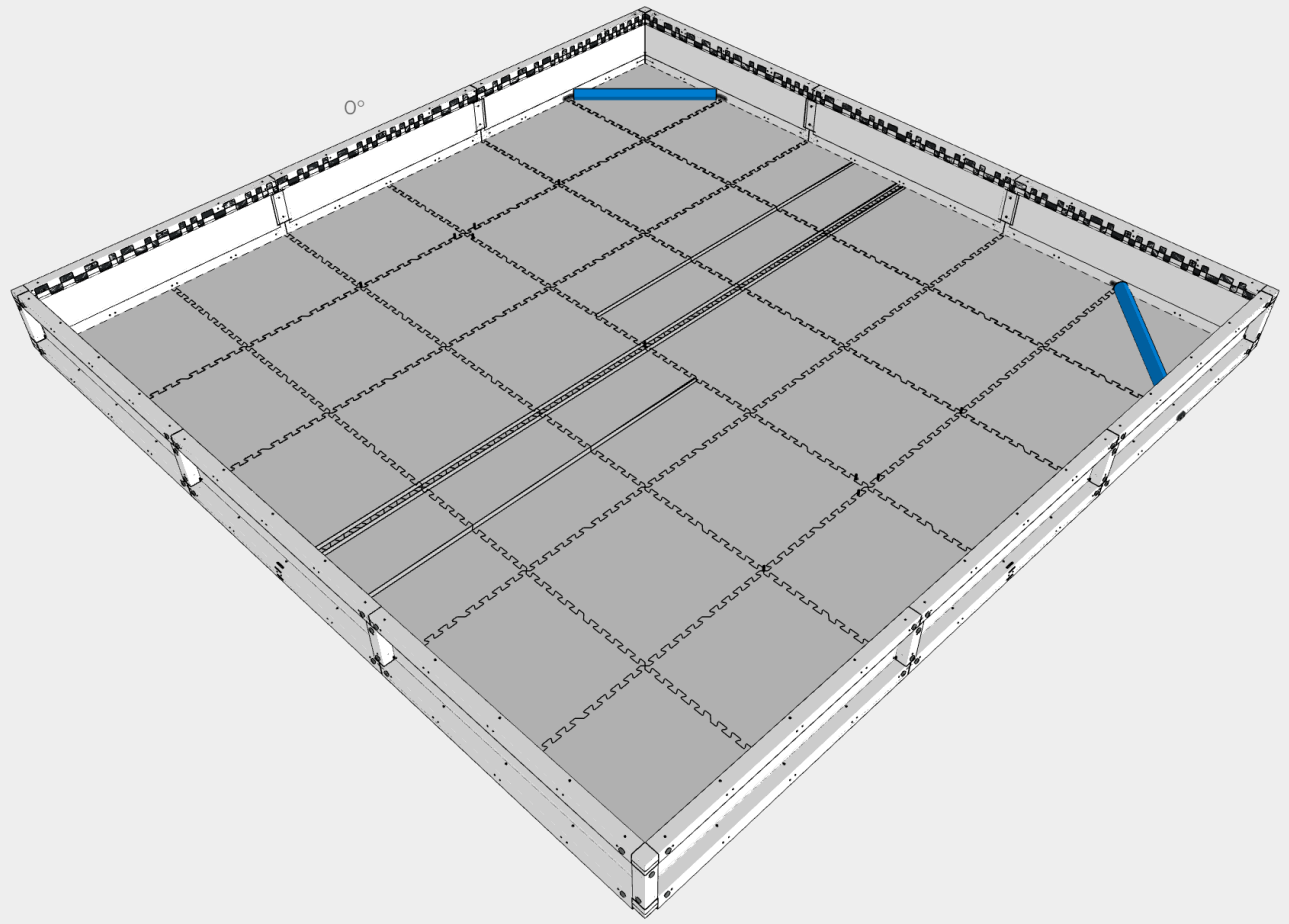


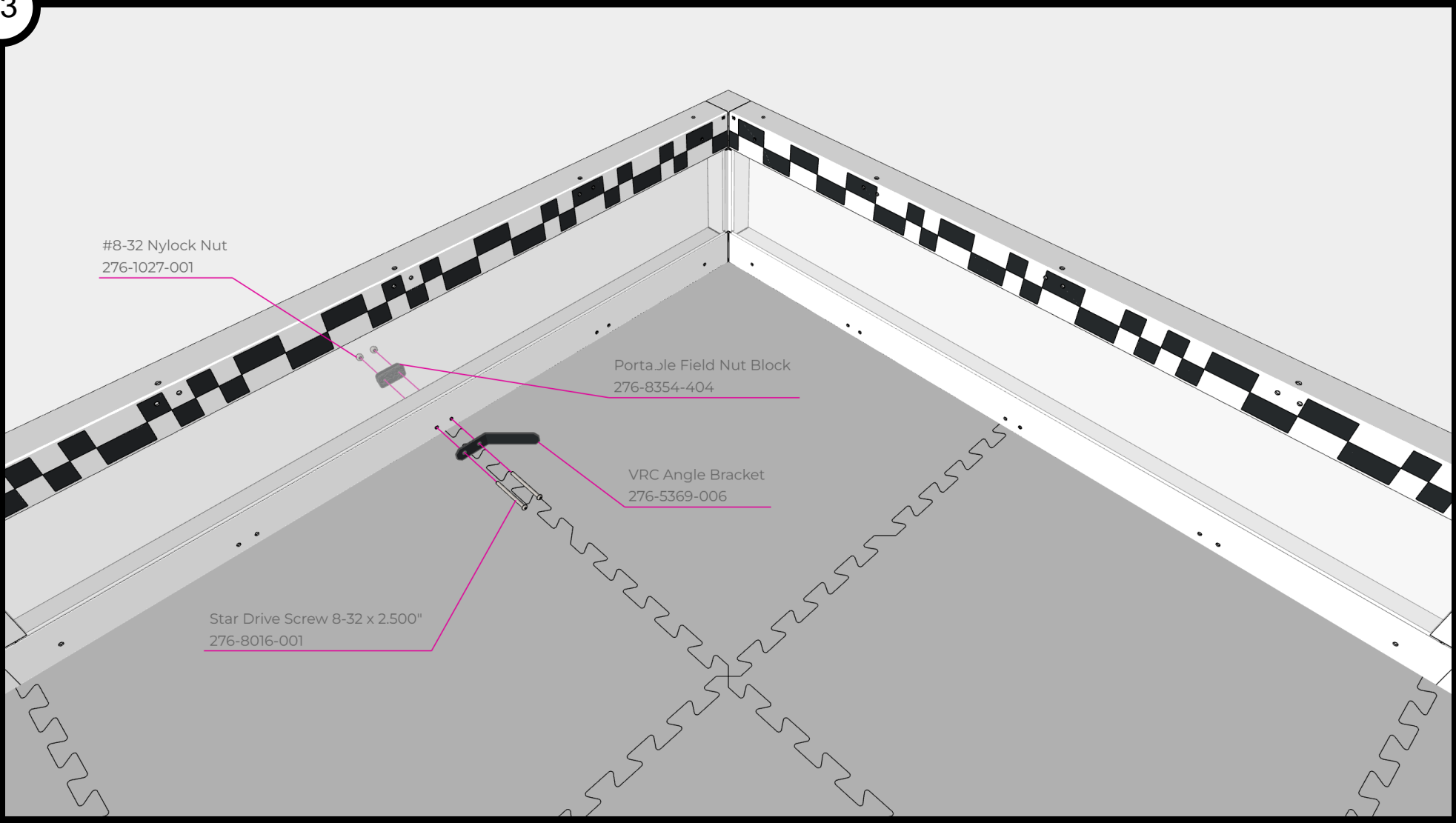
Portable Field Nut Block
276-8354-404

#8-32 Nylock Nut
276-1027-001

Star Drive Screw 8-32 x 2.500"
276-8016-001





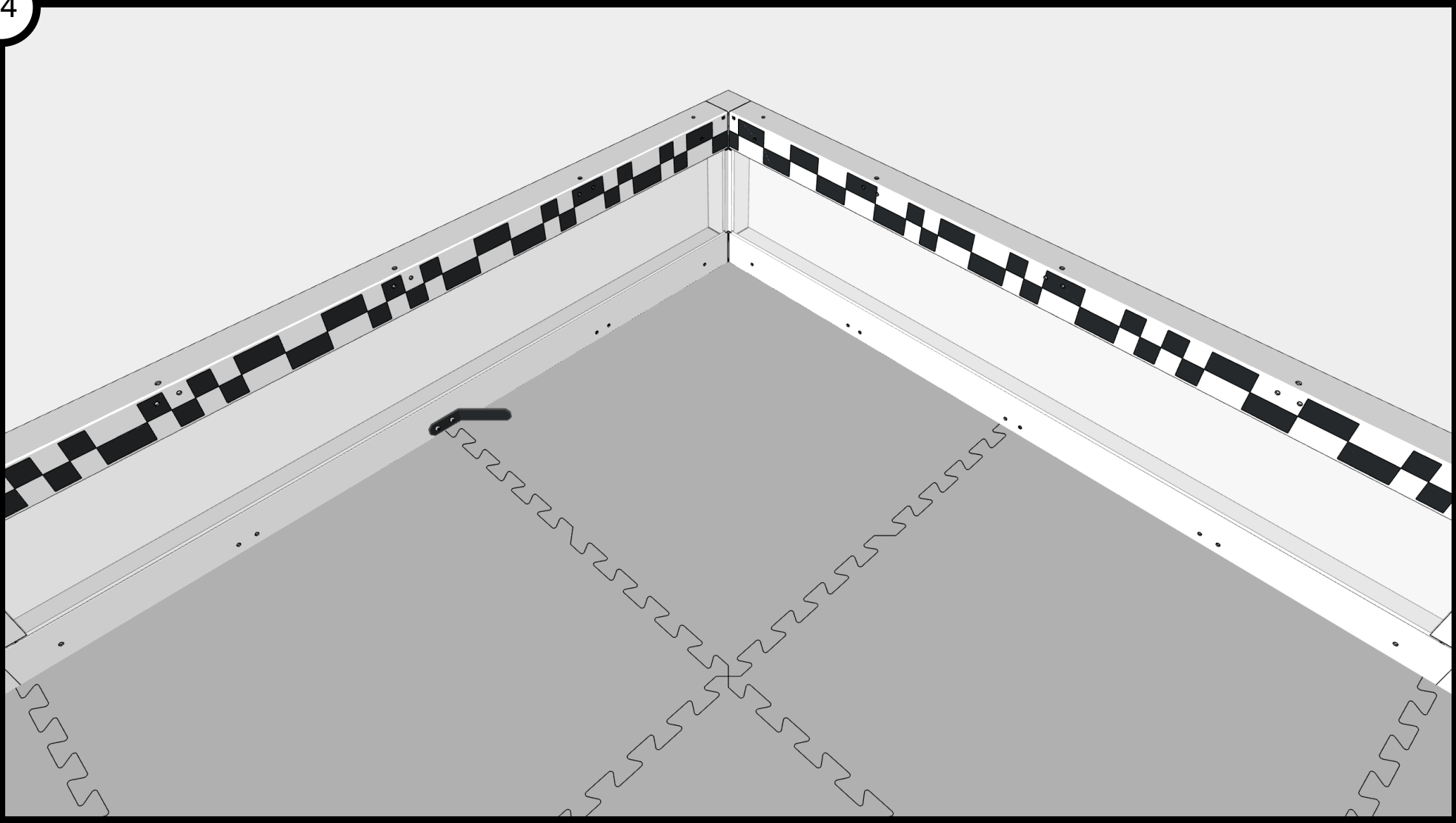


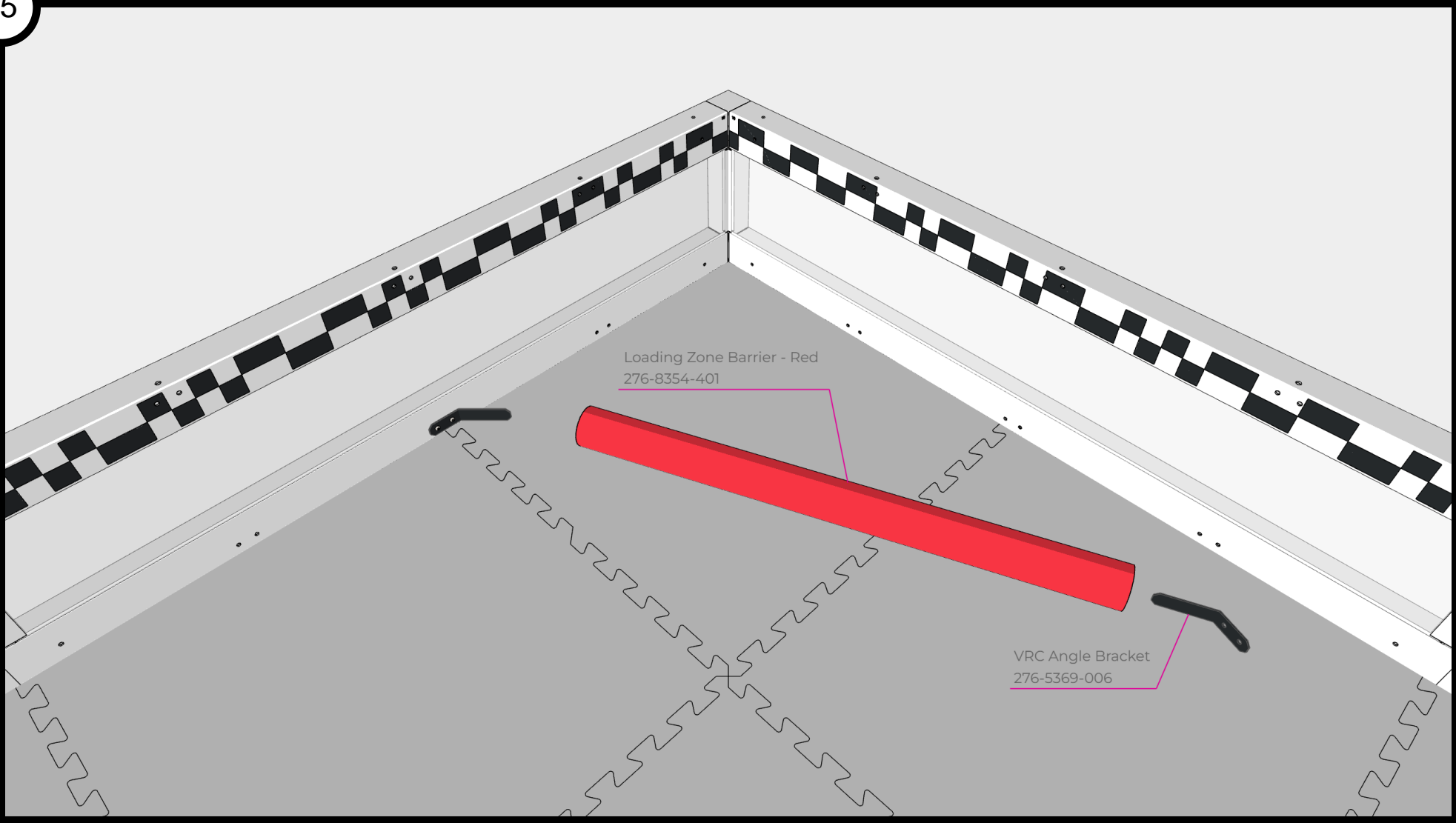
#8-32 Nylock Nut
276-1027-001

Portable Field Nut Block
276-8354-404

VRC Angle Bracket
276-5369-006

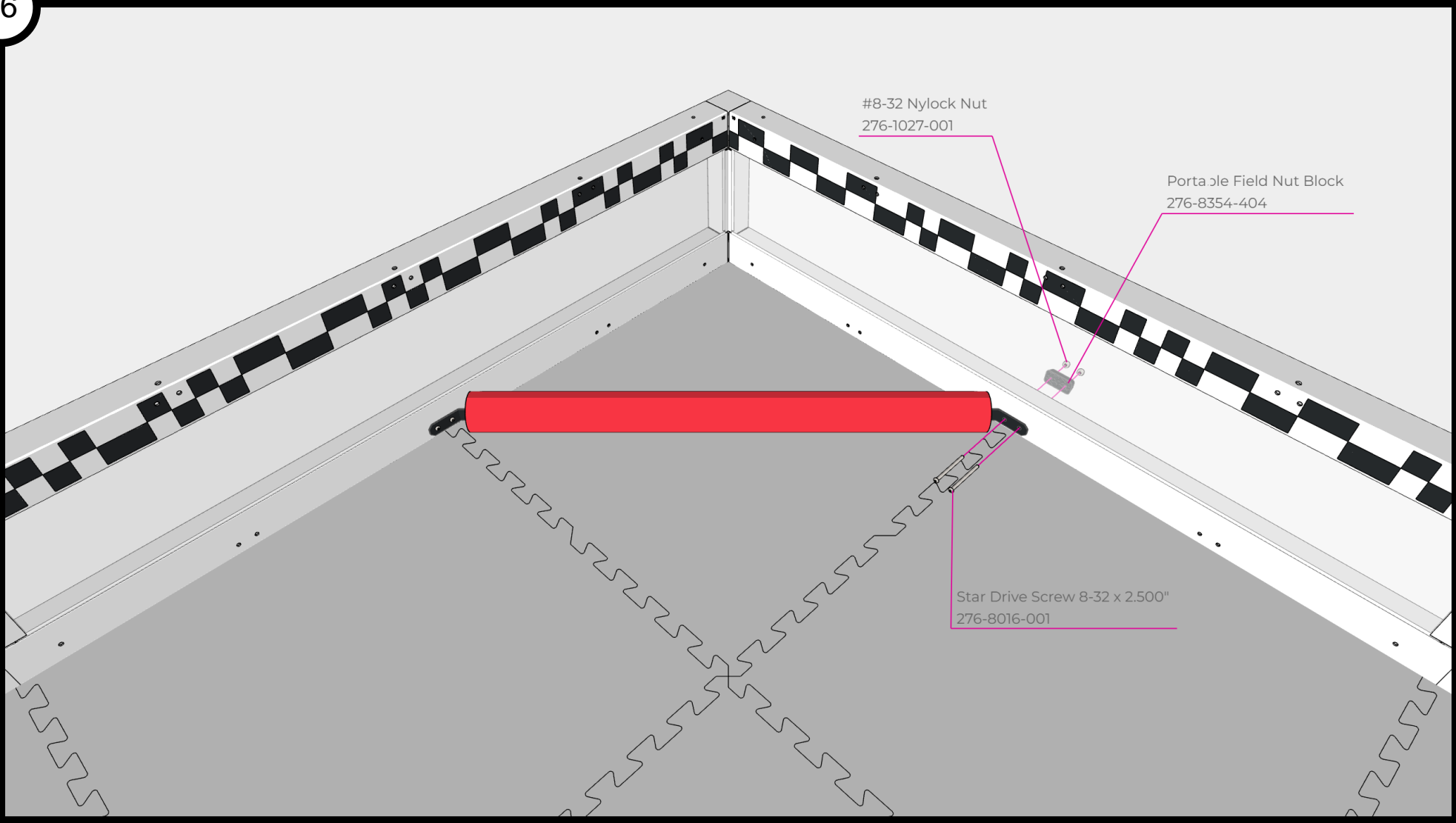
Star Drive Screw 8-32 x 2.500"
276-8016-001

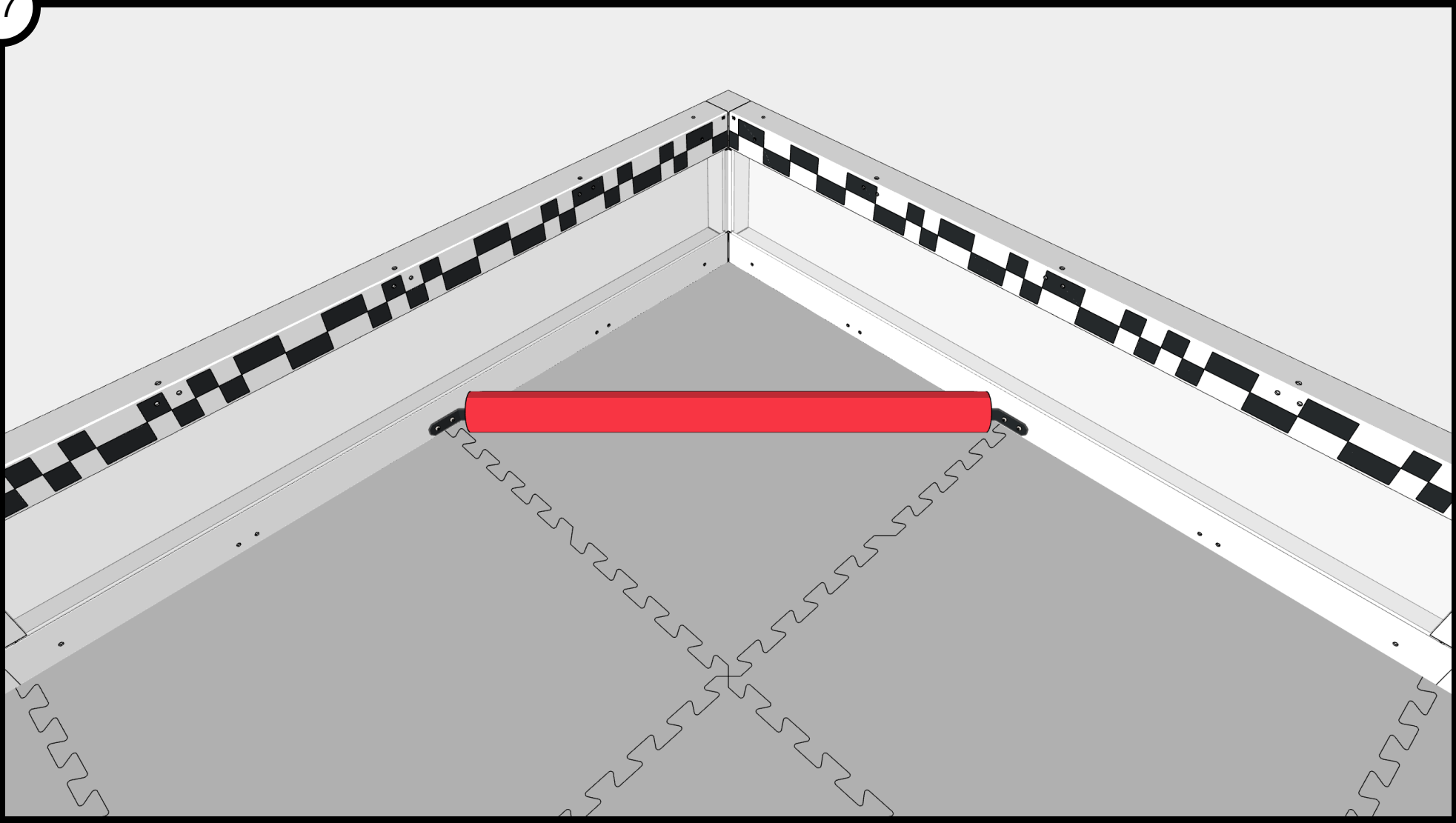


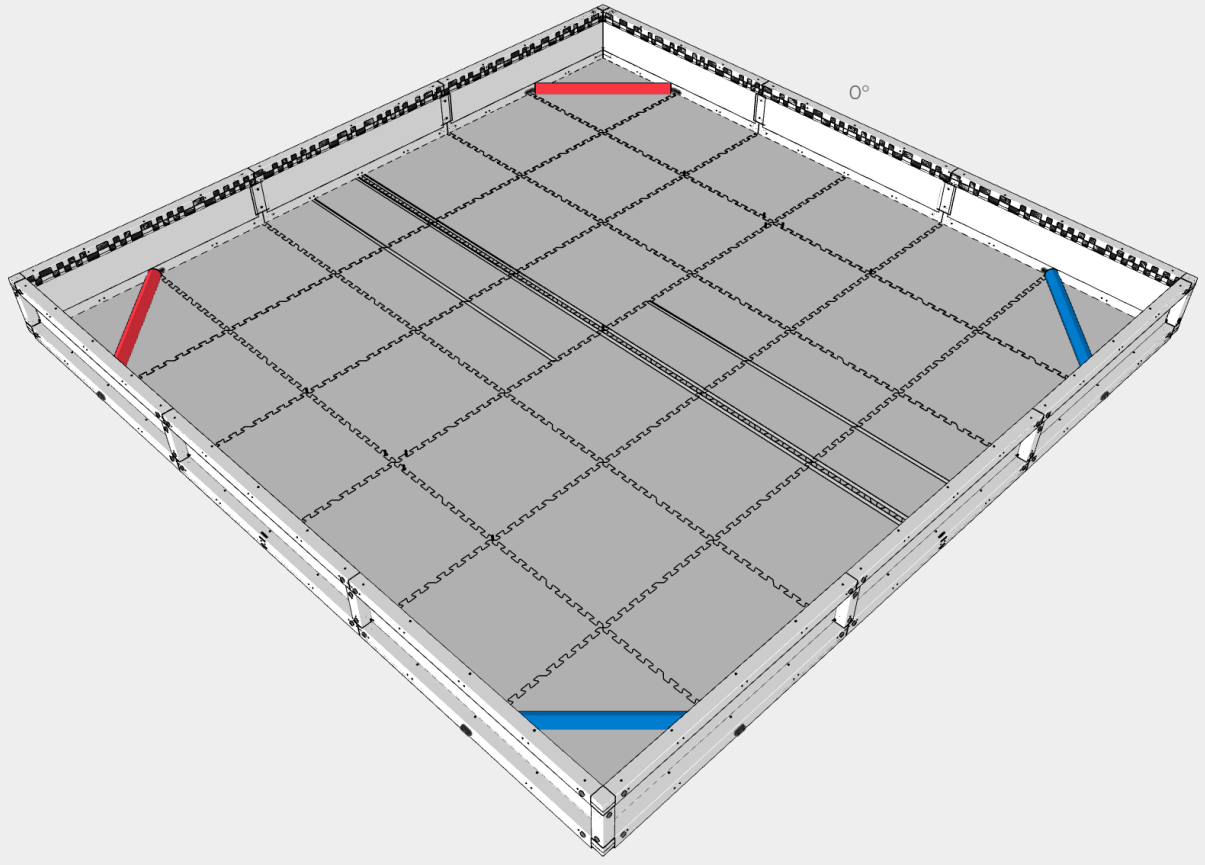


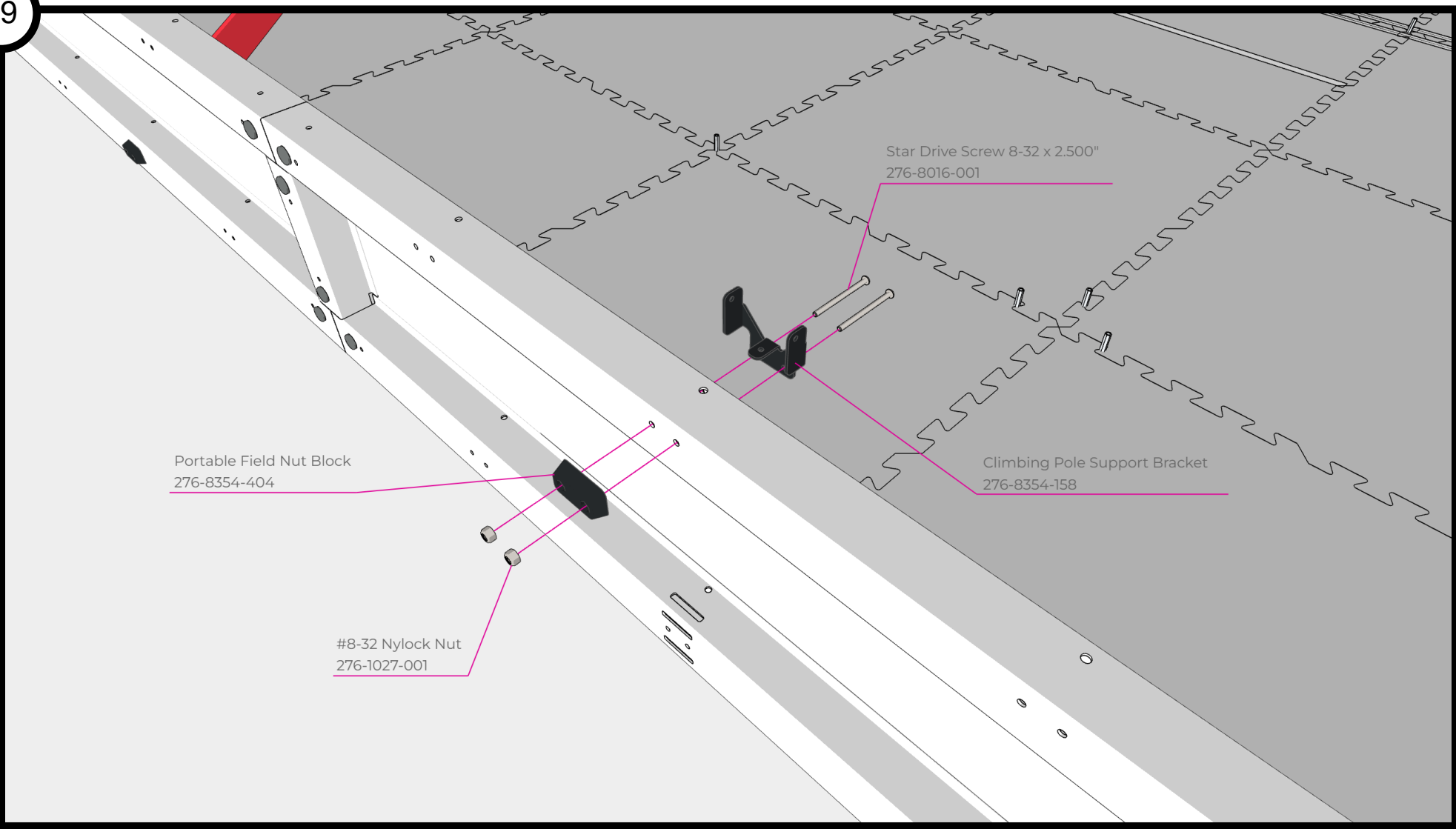
Loading Zone Barrier - Red
276-8354-401

VRC Angle Bracket
276-5369-006









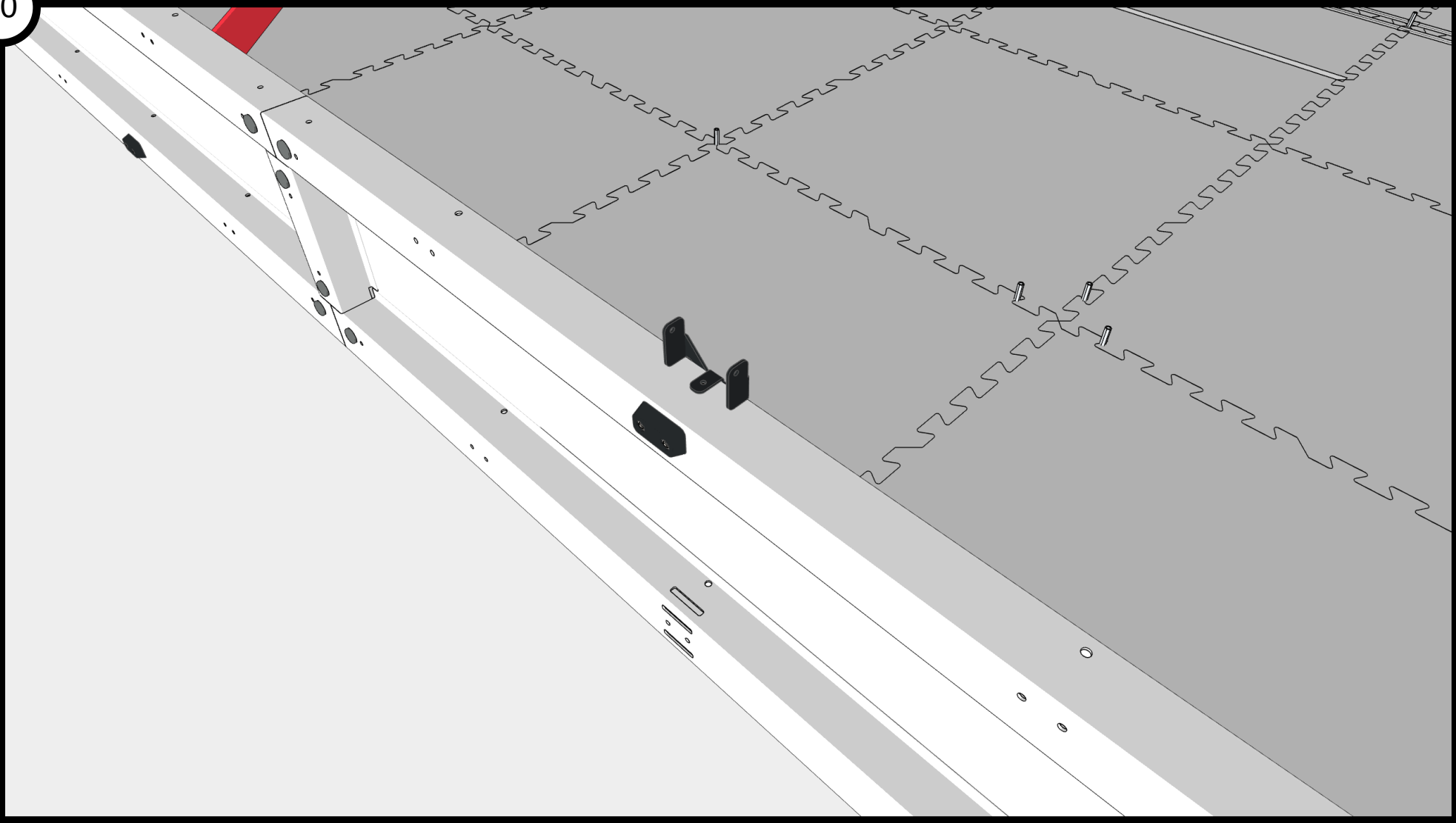
Star Drive Screw 8-32 x 2.500"
276-8016-001

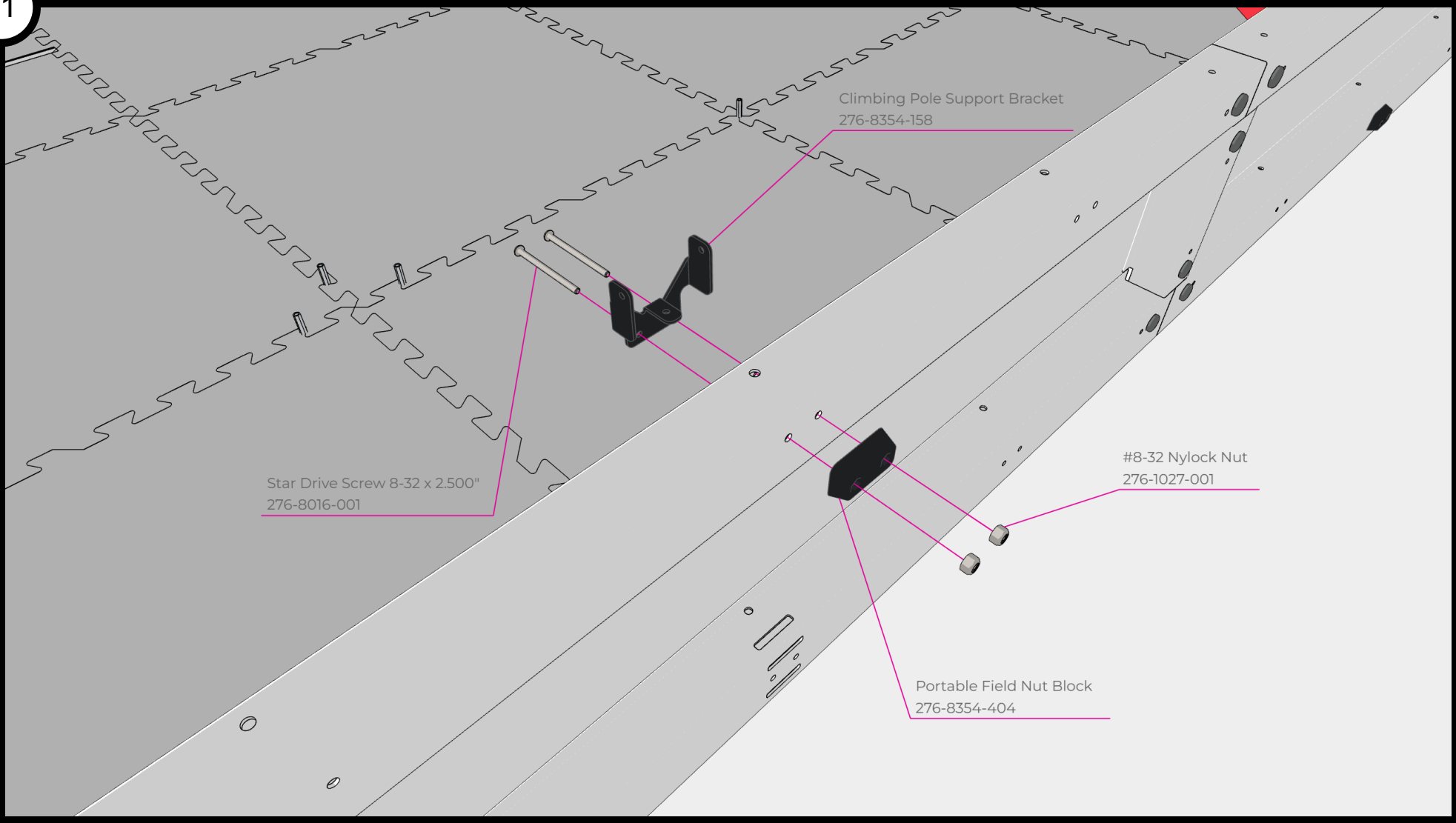
Portable Field Nut Block
276-8354-404

Climbing Pole Support Bracket
276-8354-158

#8-32 Nylock Nut
276-1027-001

50



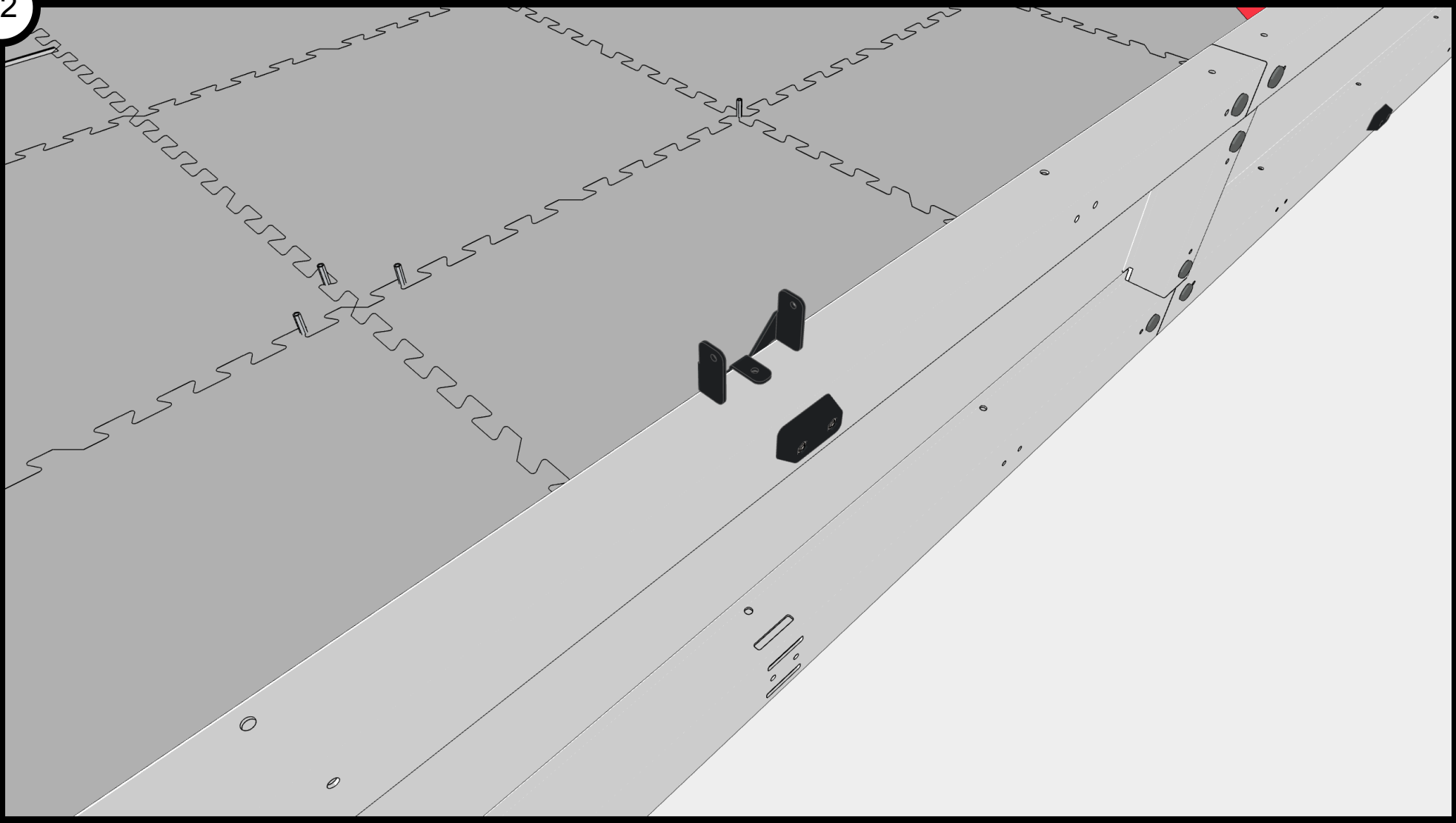


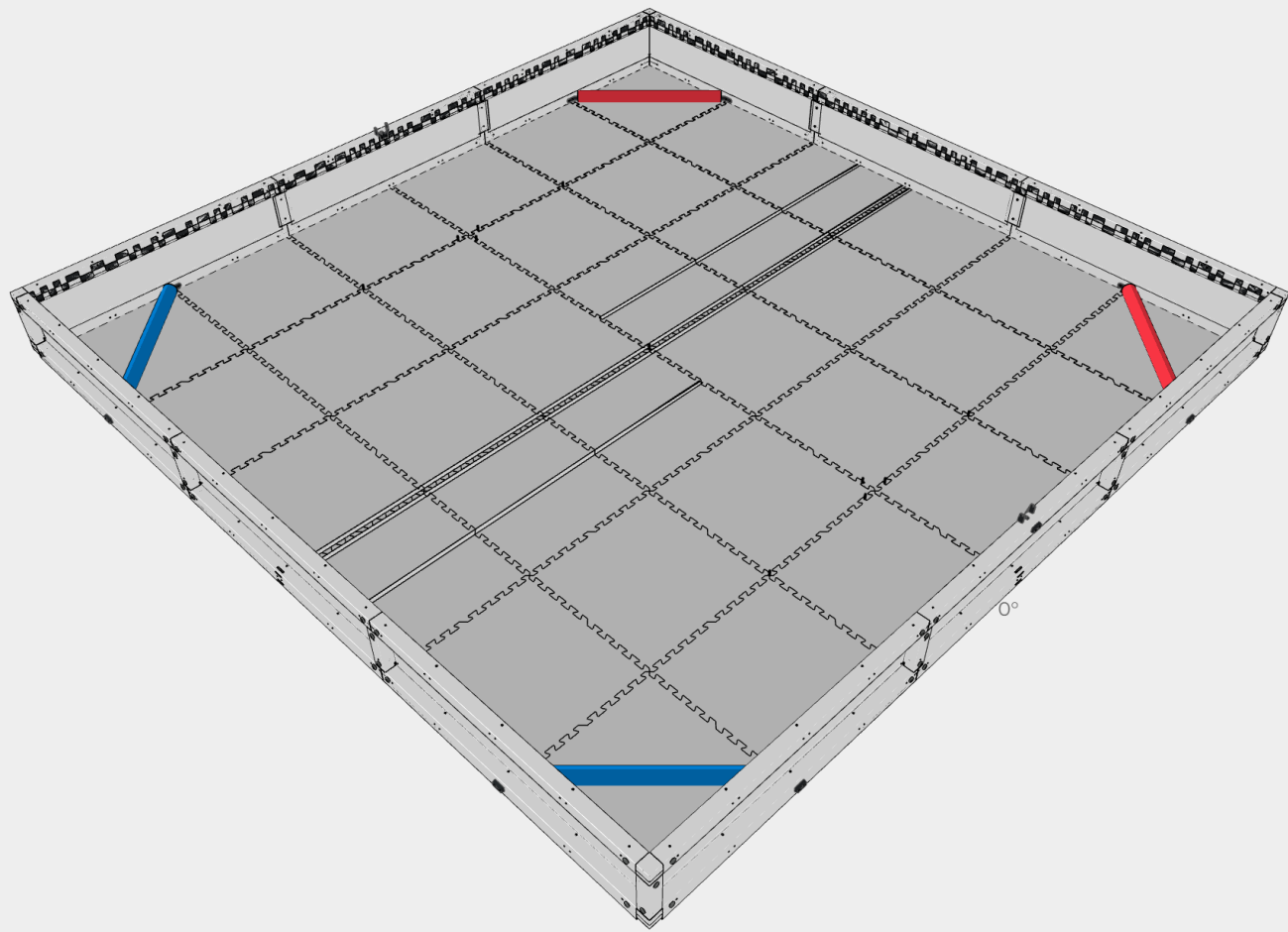
Climbing Pole Support Bracket
276-8354-158

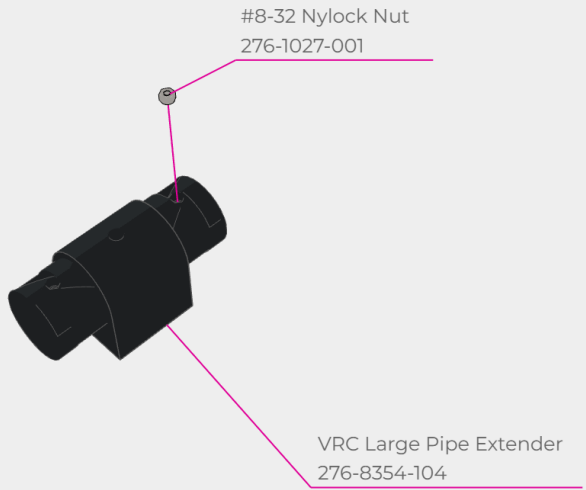
Star Drive Screw 8-32 x 2.500"
276-8016-001

#8-32 Nylock Nut
276-1027-001

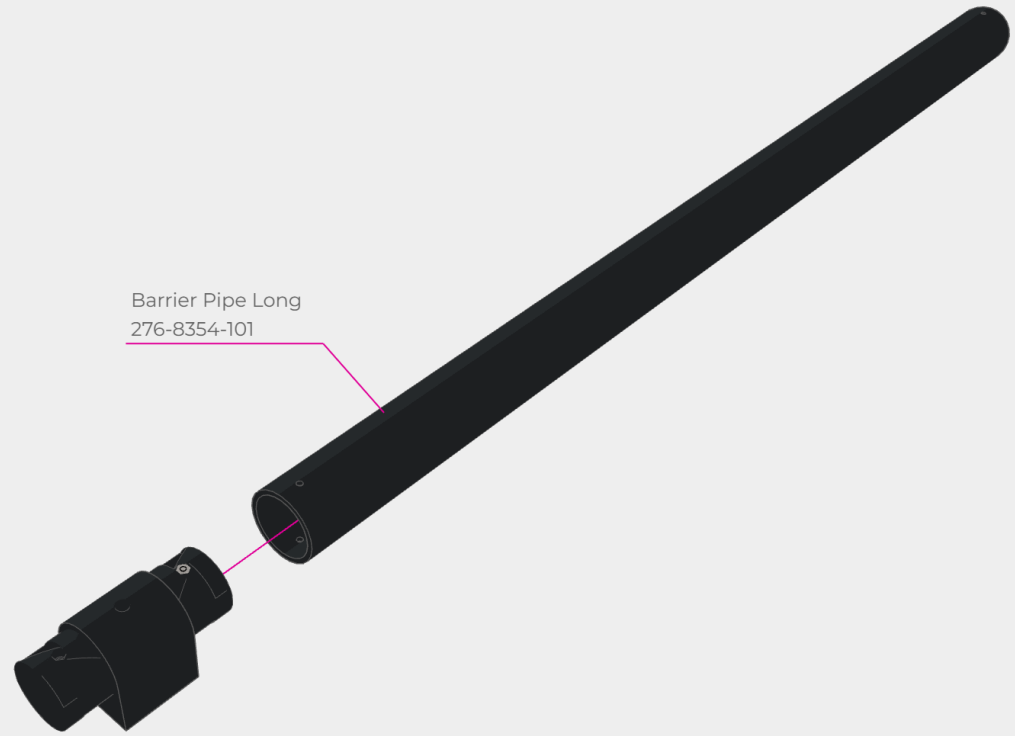
Portable Field Nut Block
276-8354-404







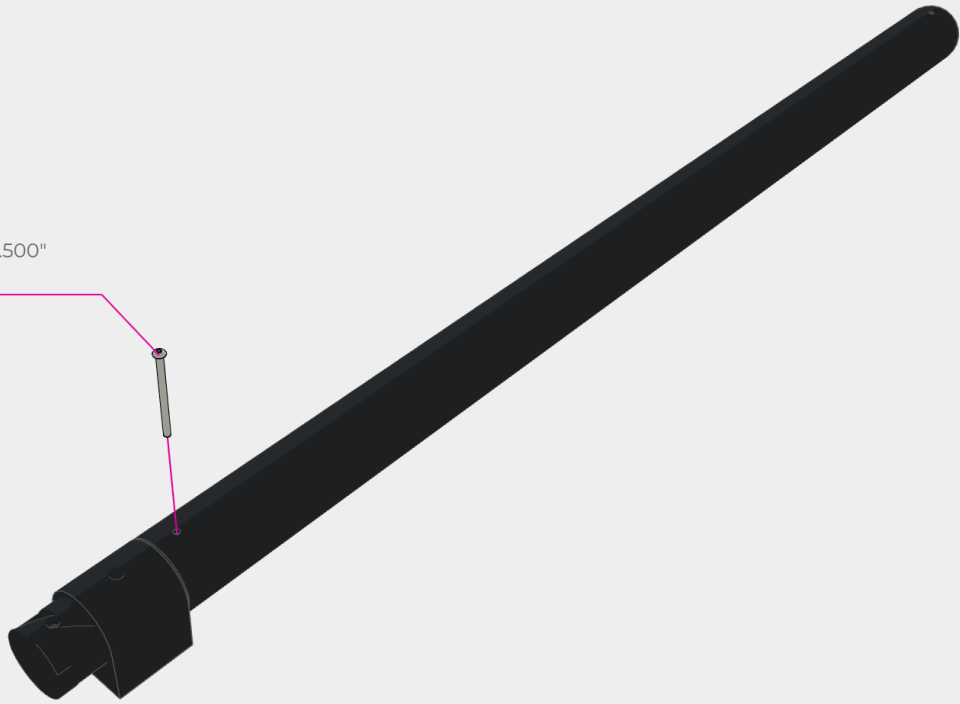




Barrier Pipe Long
276-8354-101



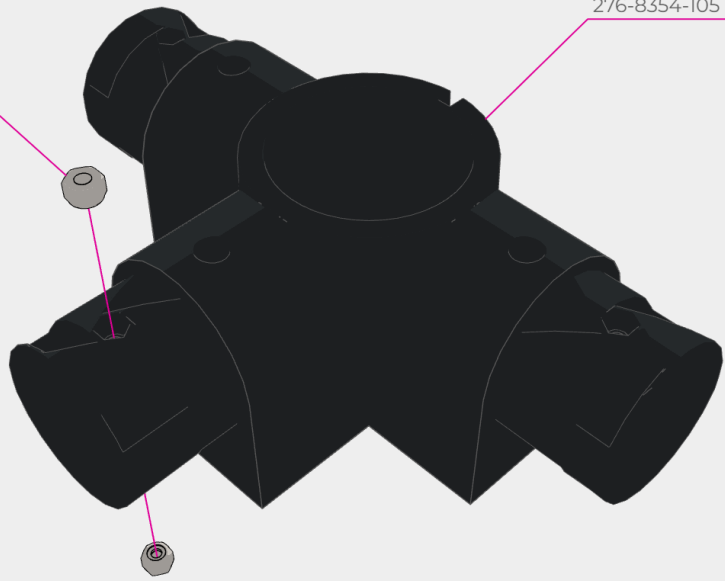
Star Drive Screw 8-32 x 2.500"
276-8016-001

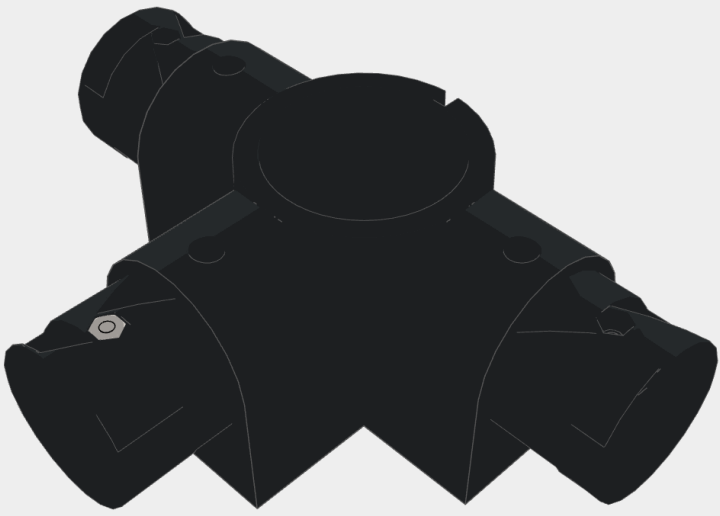


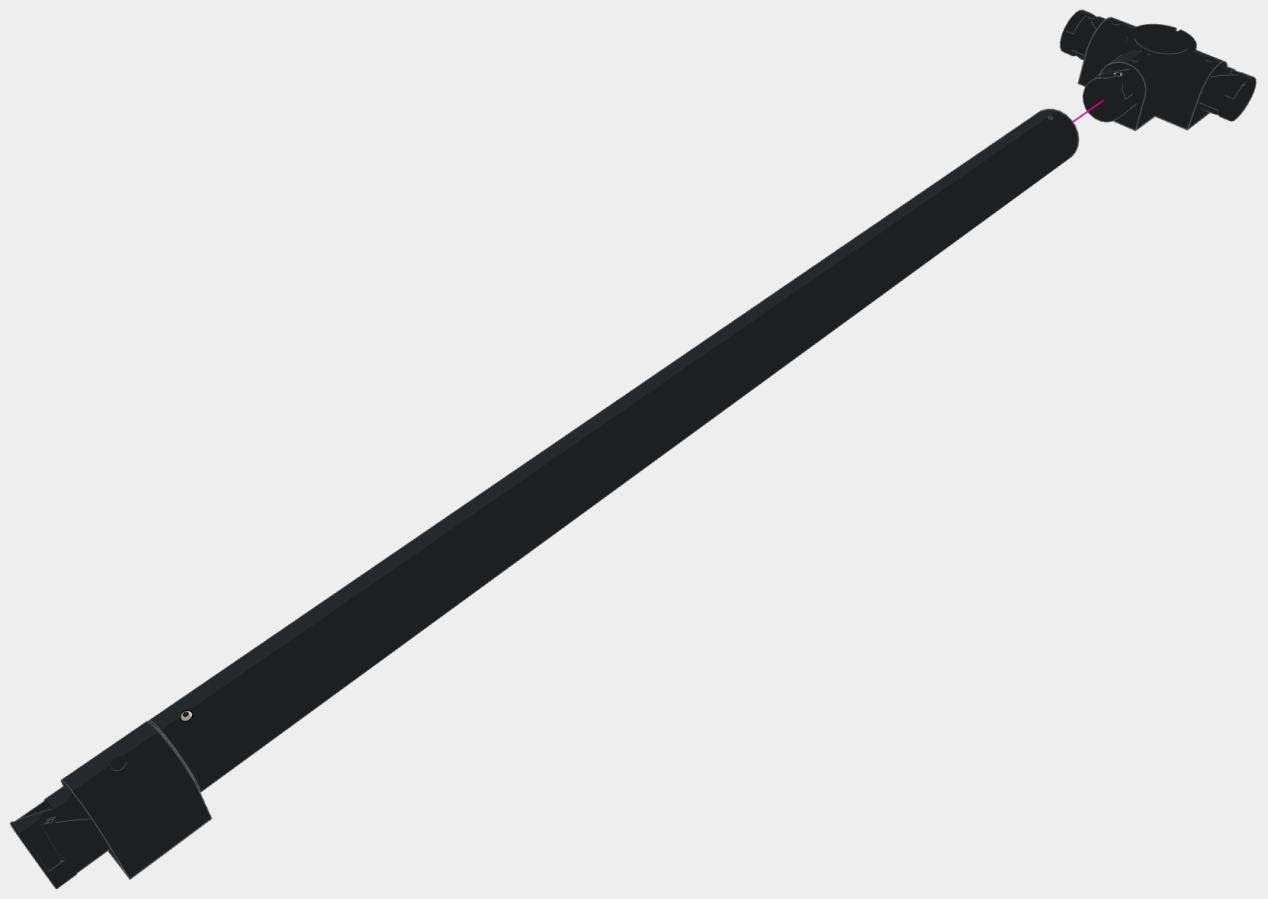


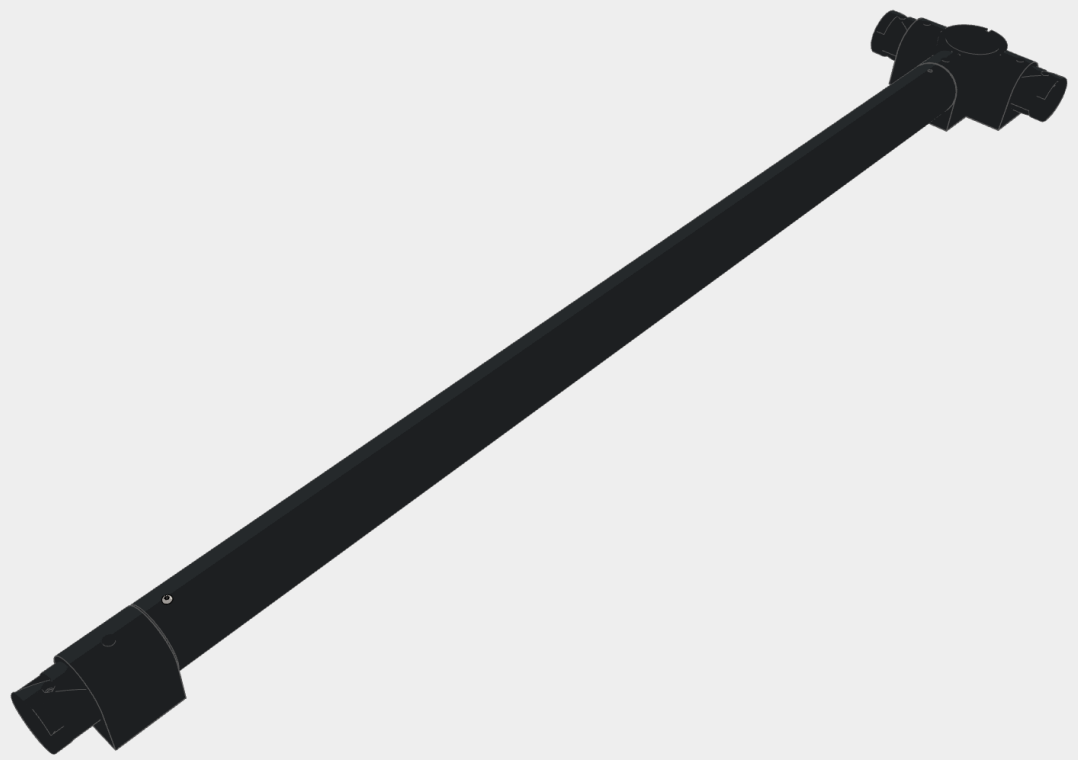
#8-32 Nylock Nut
276-1027-001

Climb Pole Base
276-8354-105





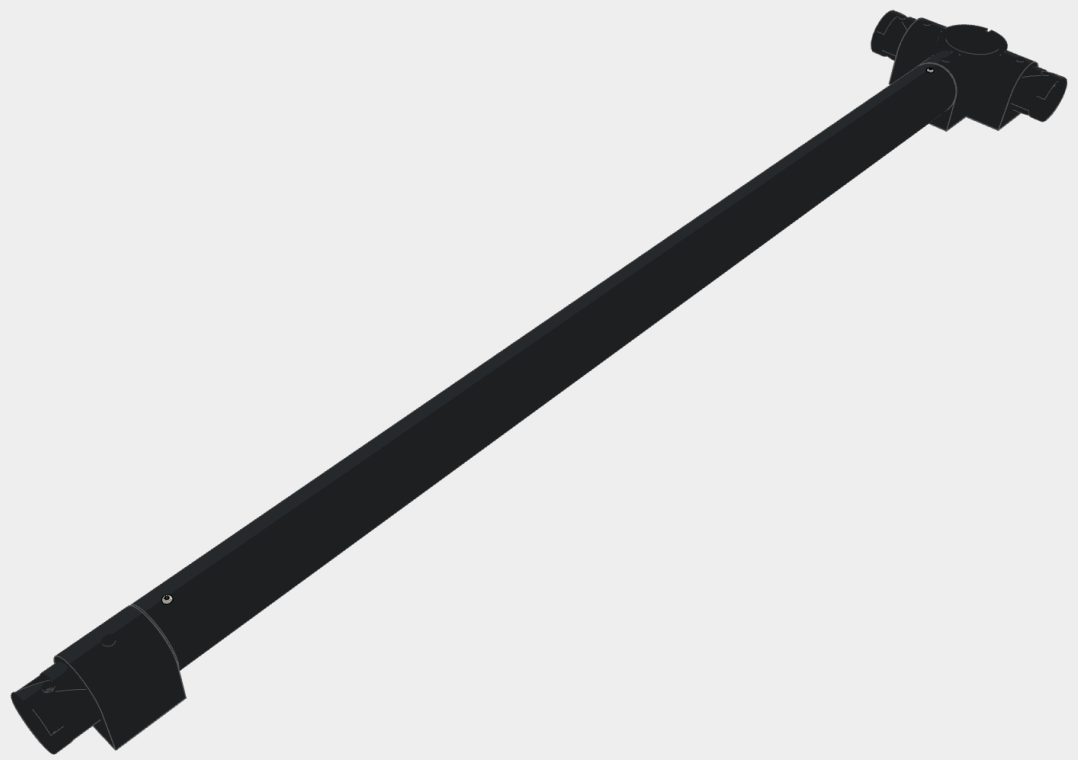






Star Drive Screw 8-32 x 1/2"
276-4992-001

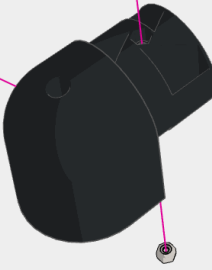
65



2x

VRC Large Pipe Cap
276-8354-103

#8-32 Nylock Nut
276-1027-001

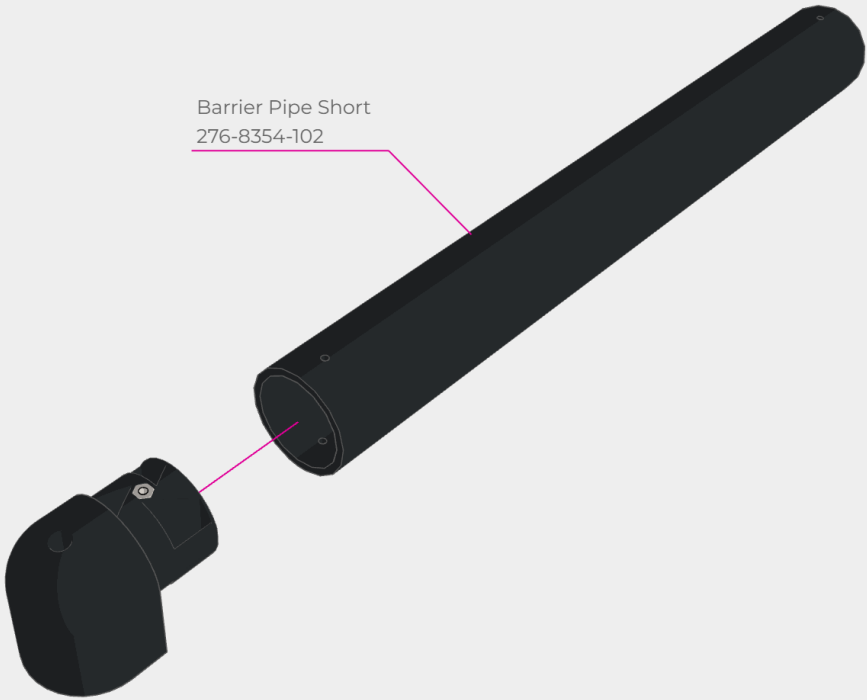


2x

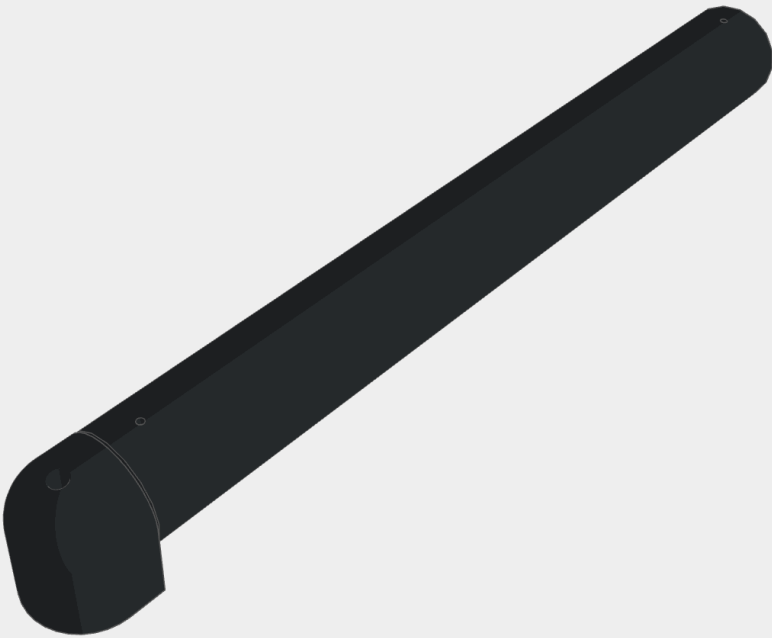


2x

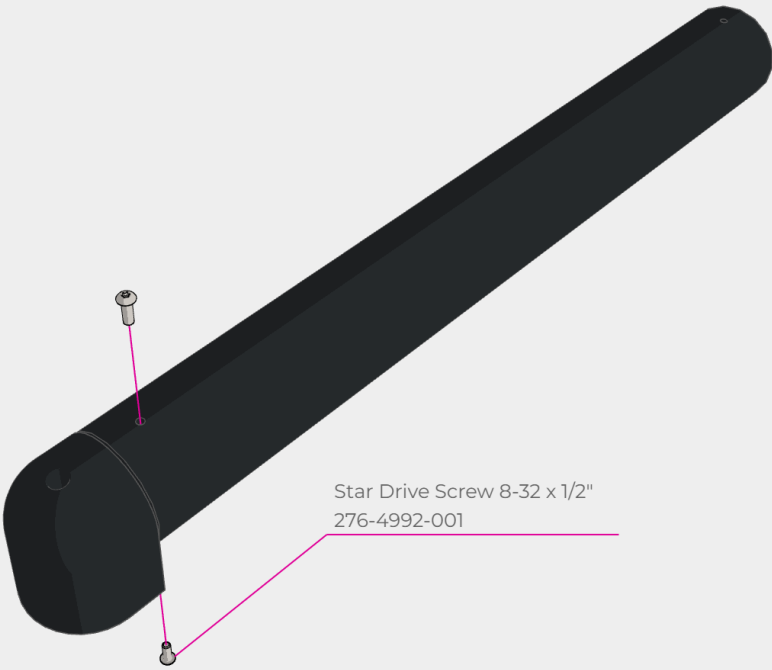
Barrier Pipe Short
276-8354-102



2x



2x



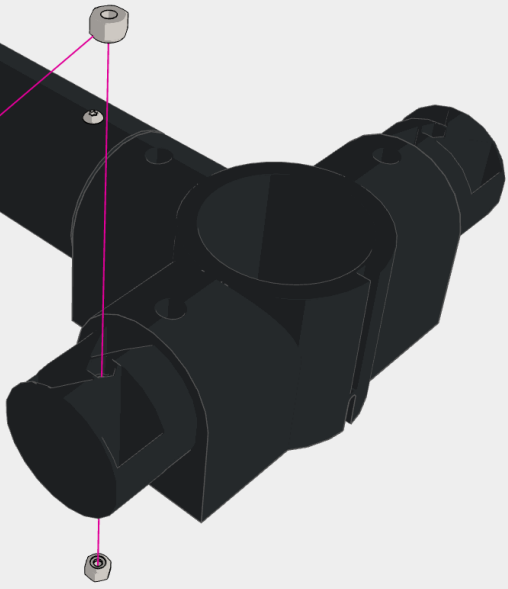
Star Drive Screw 8-32 x 1/2"
276-4992-001

71

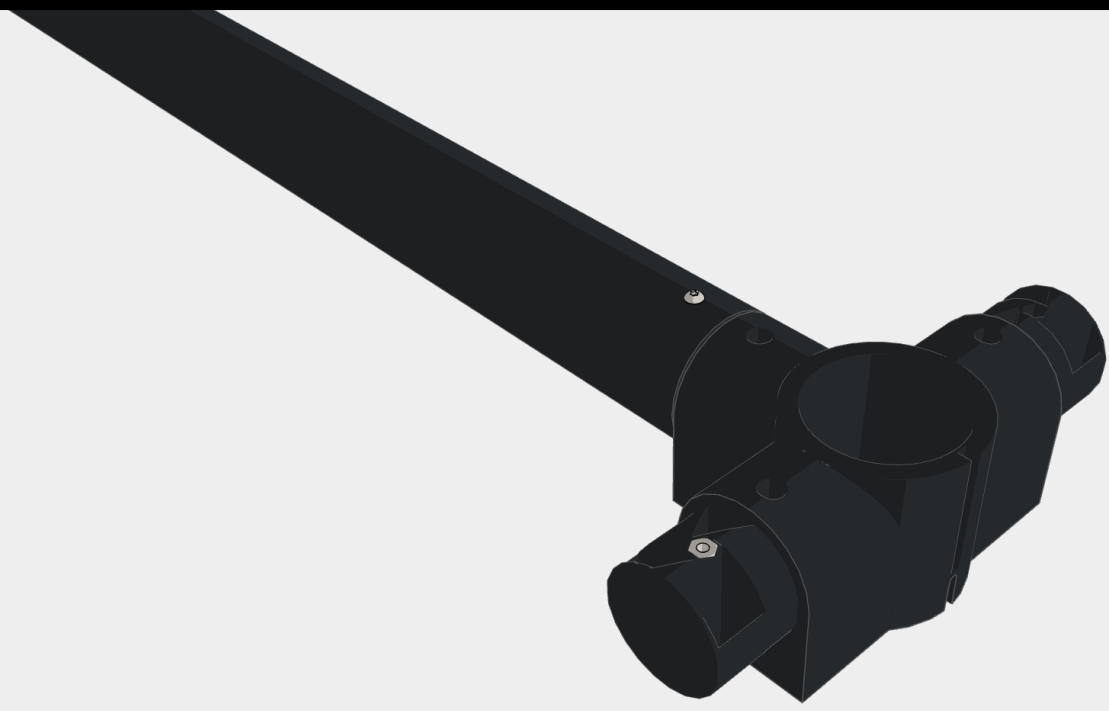
2x



#8-32 Nylock Nut
276-1027-001

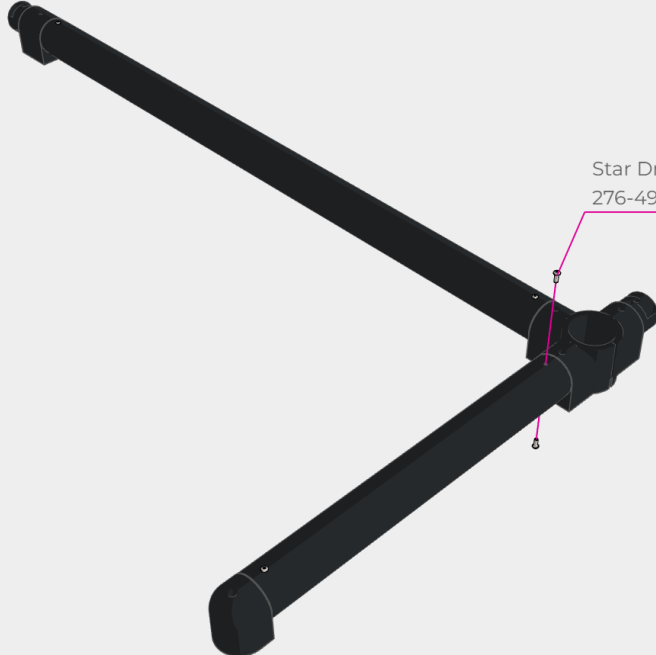


73







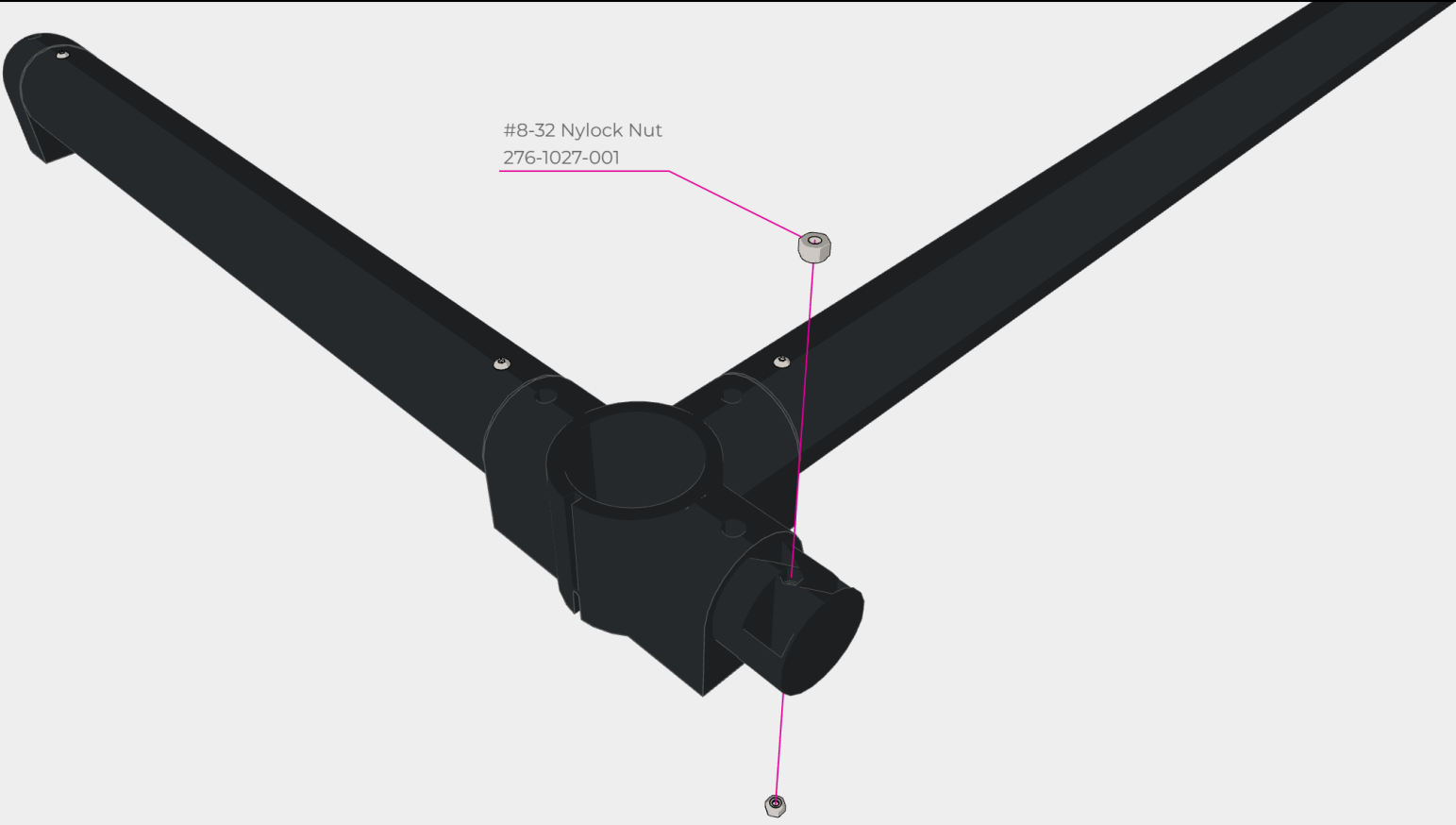


Star Drive Screw 8-32 x 1/2"
276-4992-001

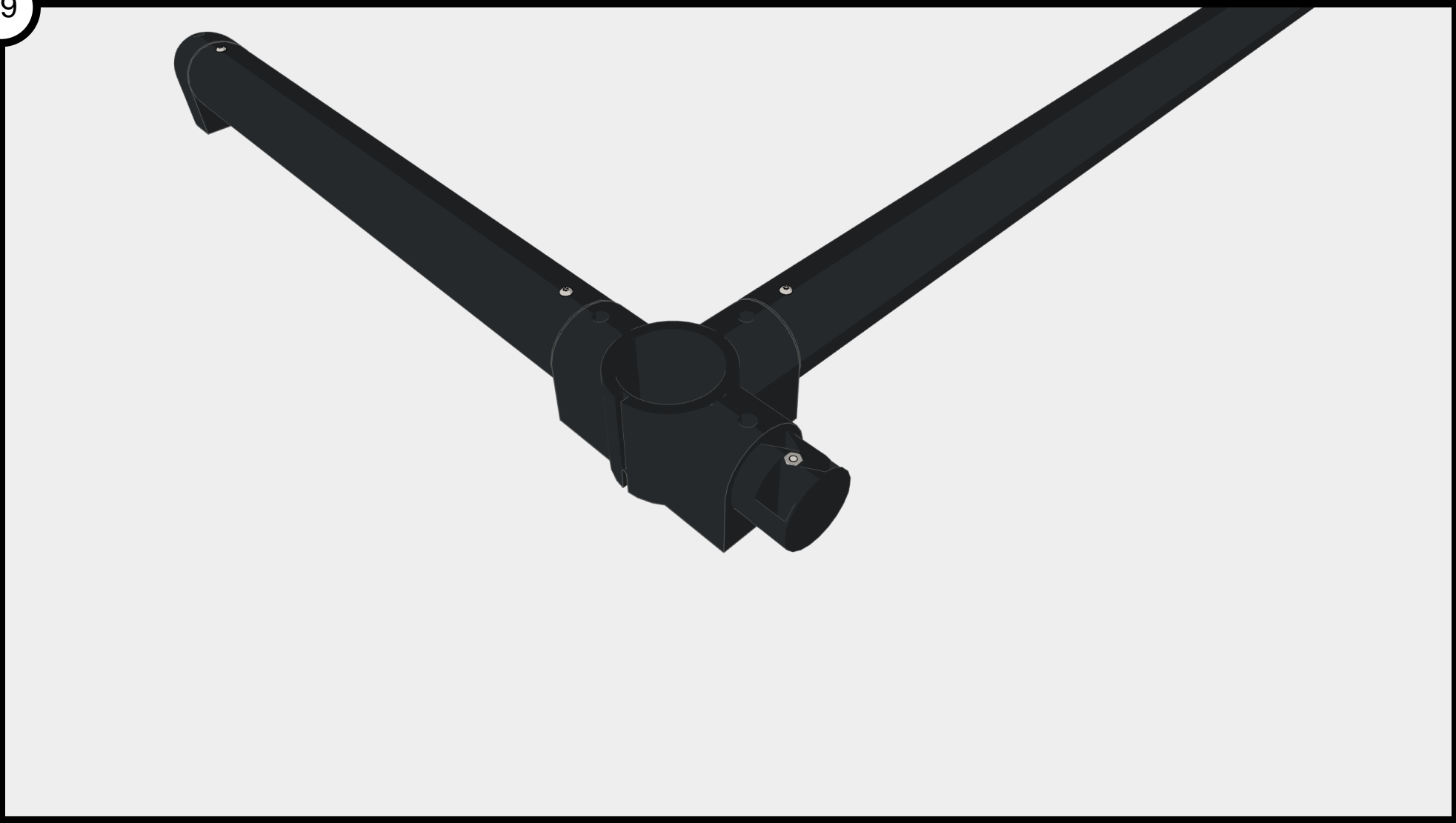


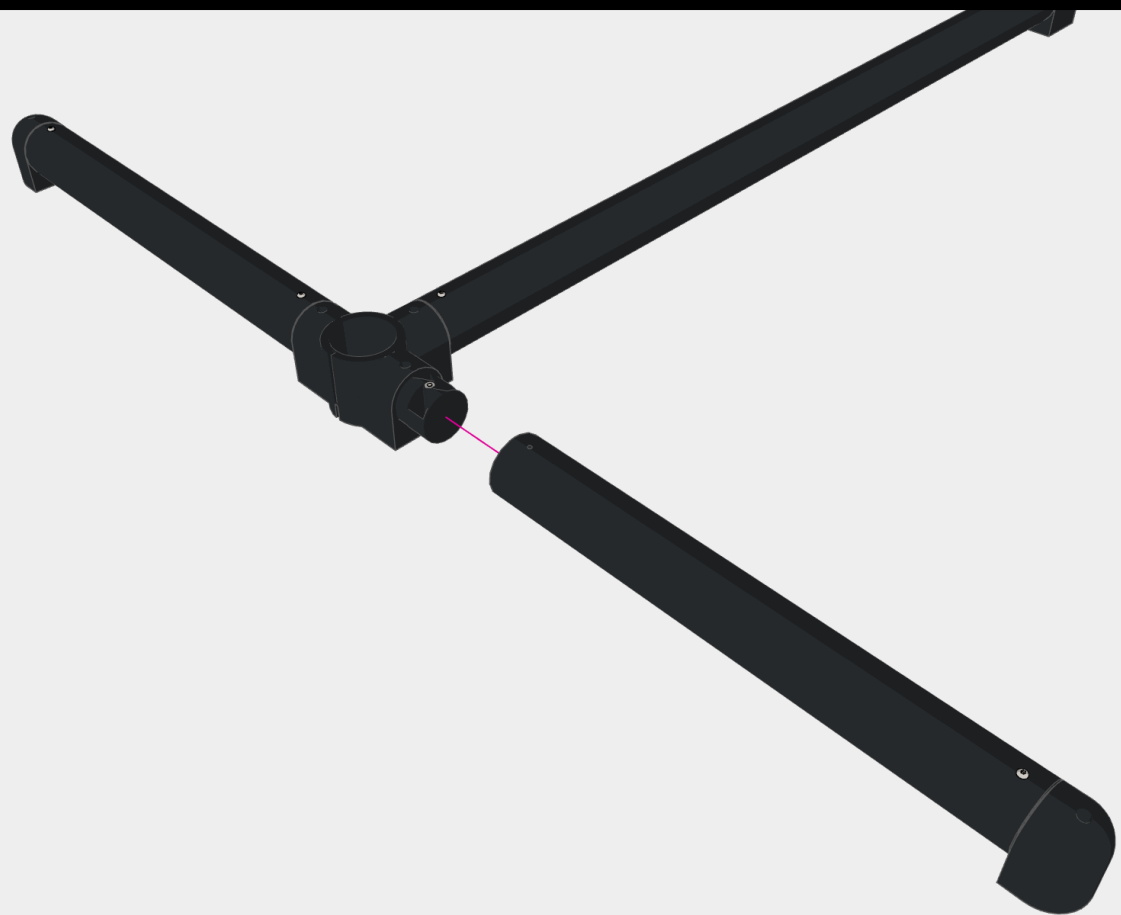


#8-32 Nylock Nut
276-1027-001



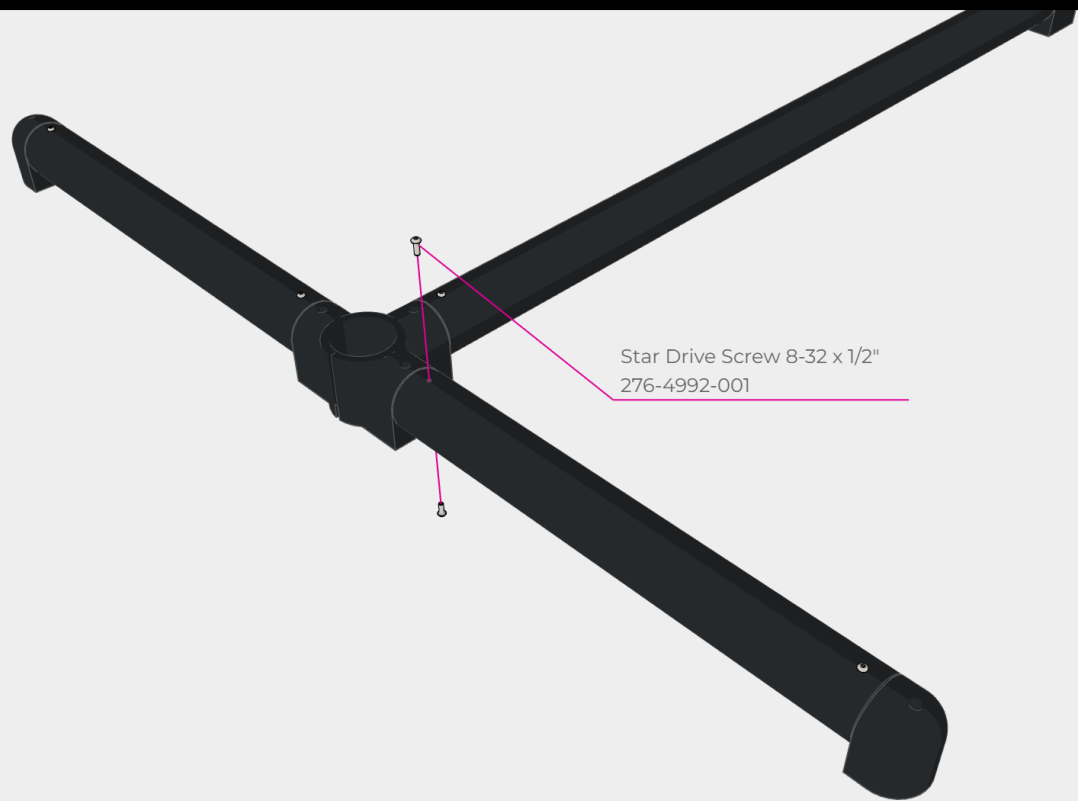
79





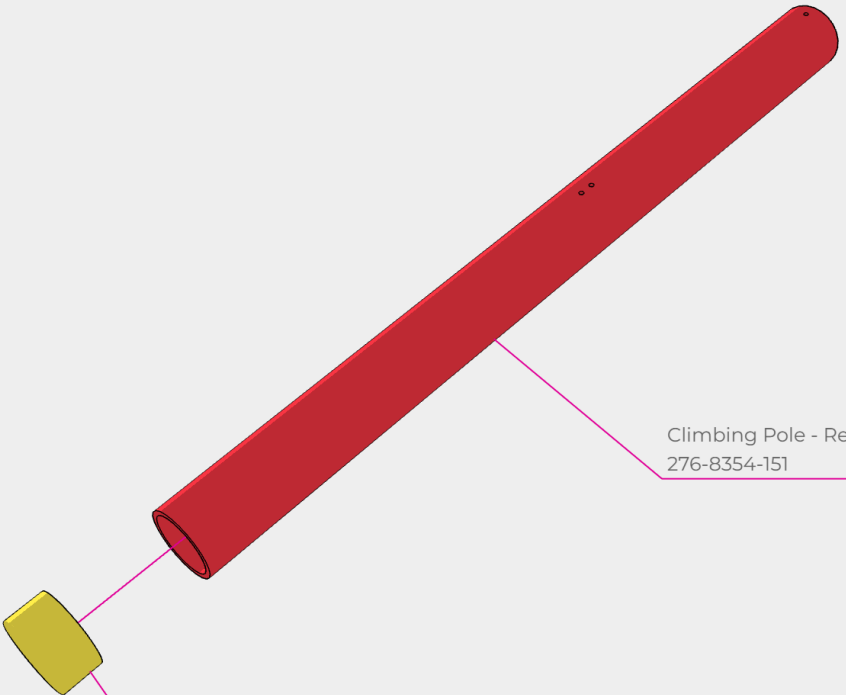
81





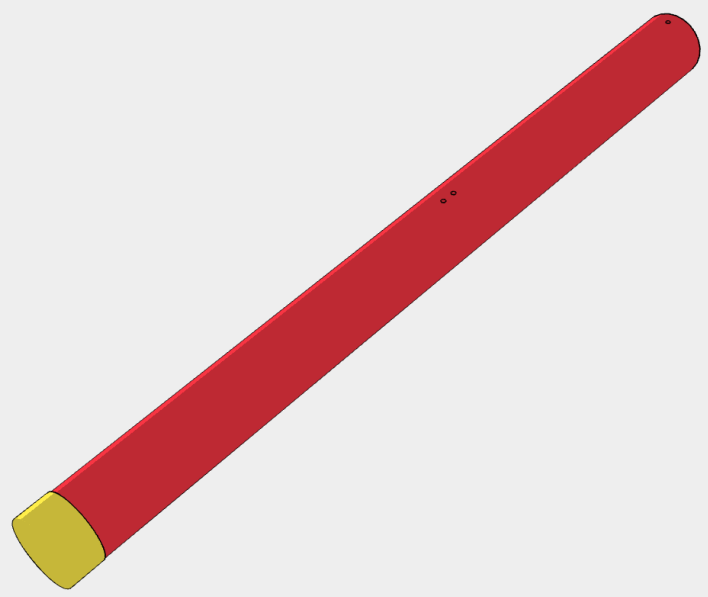
Star Drive Screw 8-32 x 1/2"
276-4992-001



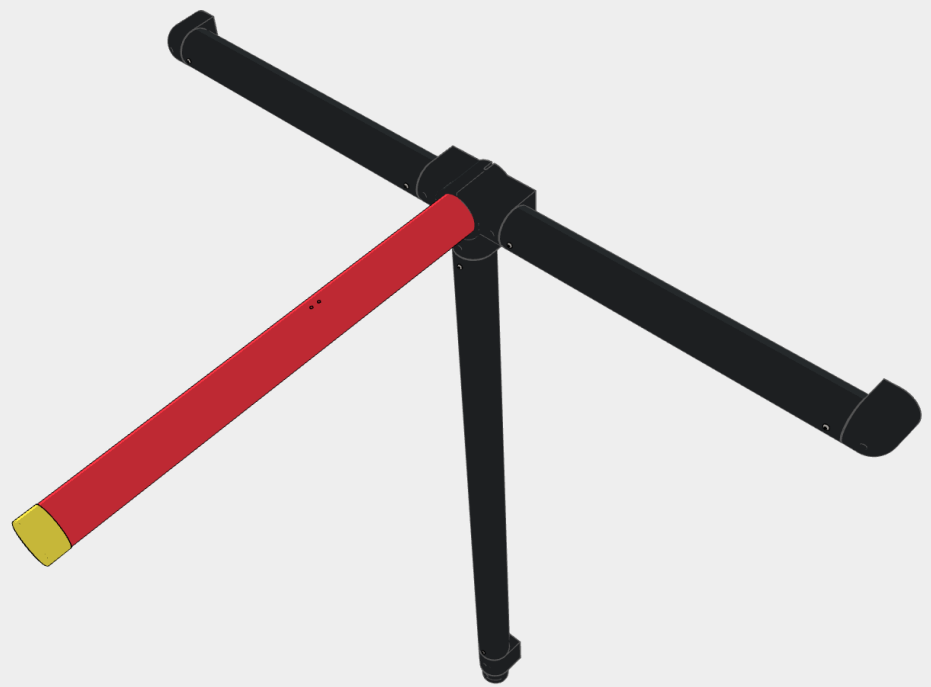


Climbing Pole - Red
276-8354-151

Climbing Pole Cap
276-8354-156

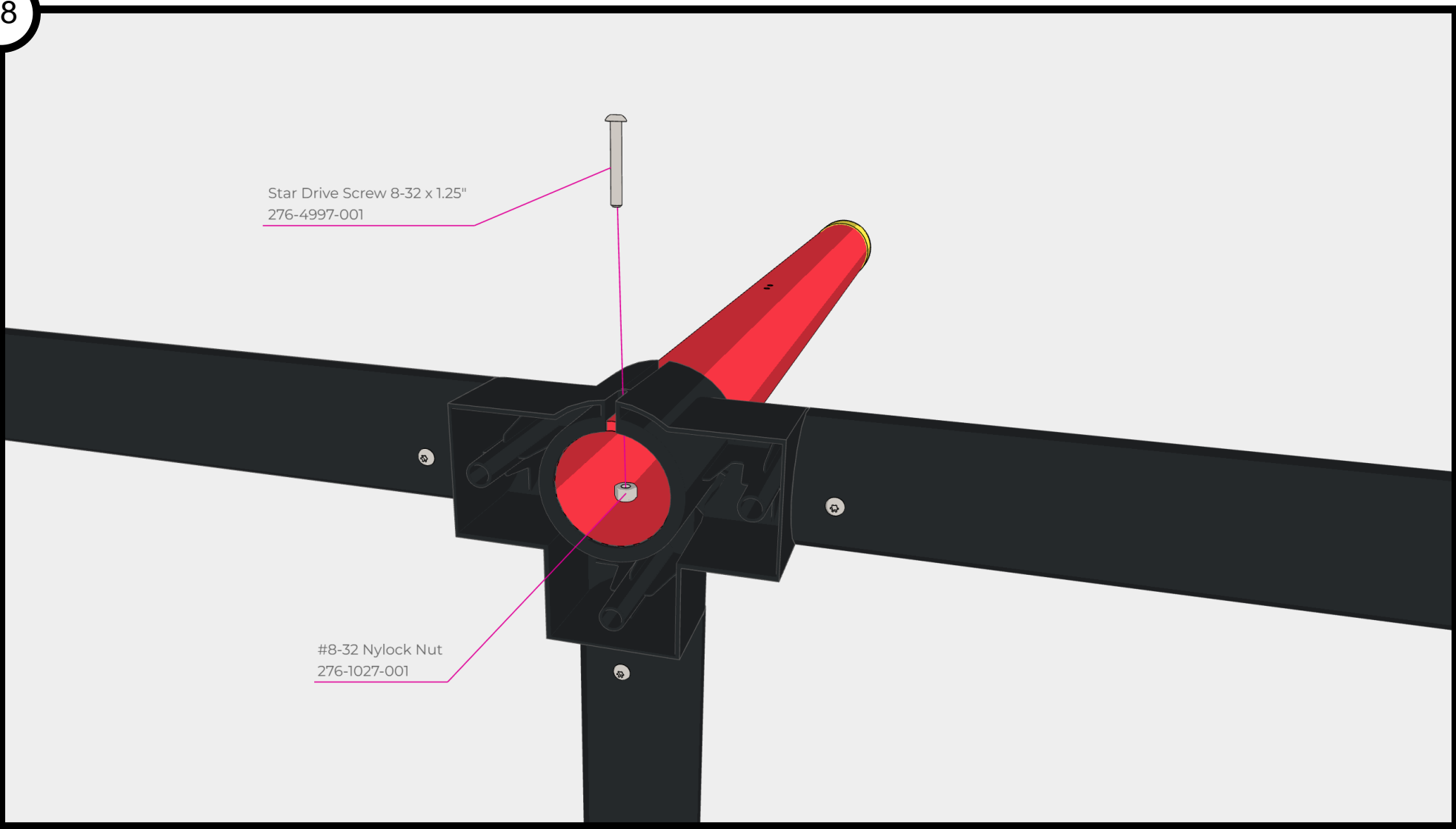




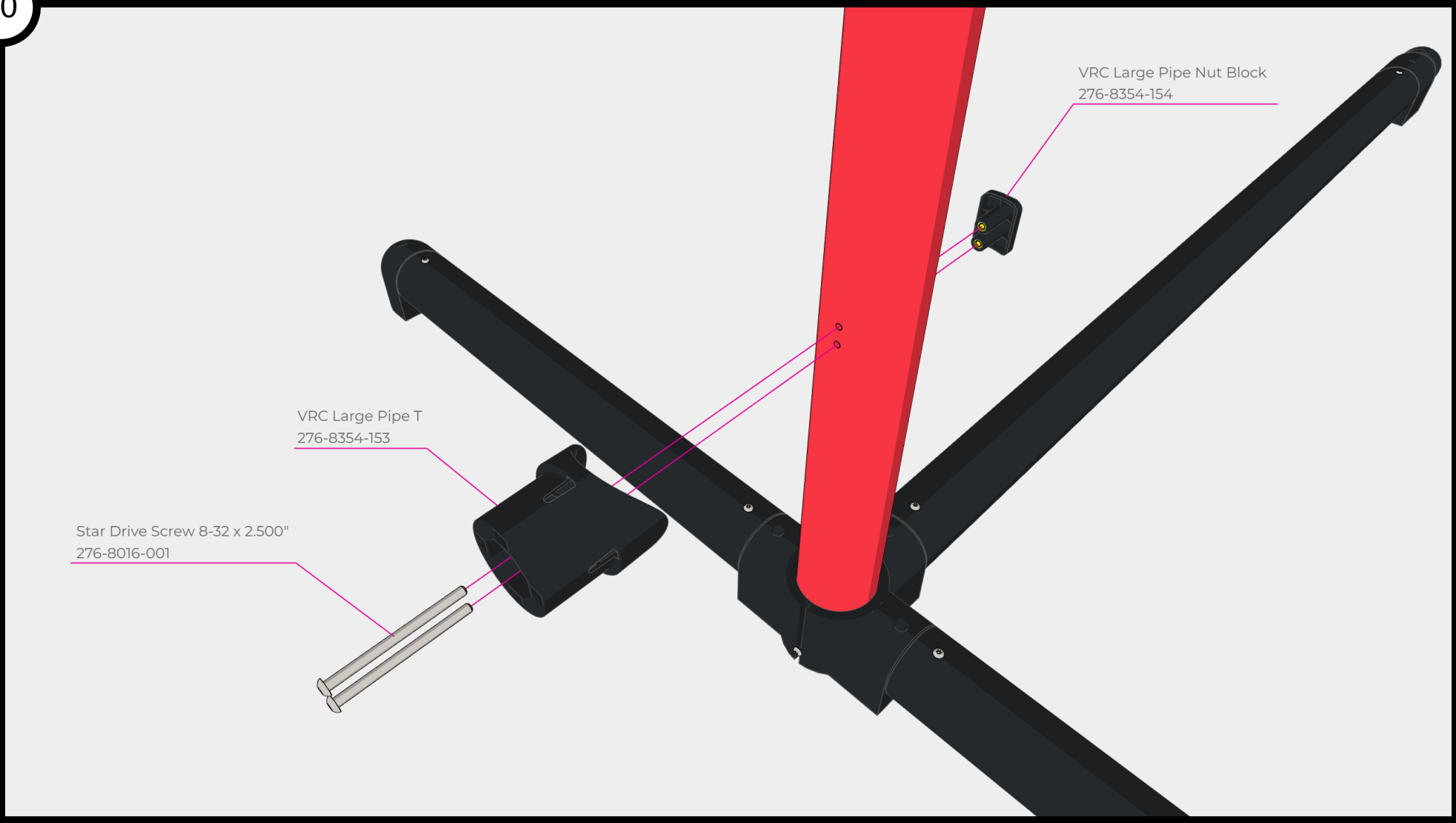


Star Drive Screw 8-32 x 1.25"
276-4997-001

#8-32 Nylock Nut
276-1027-001



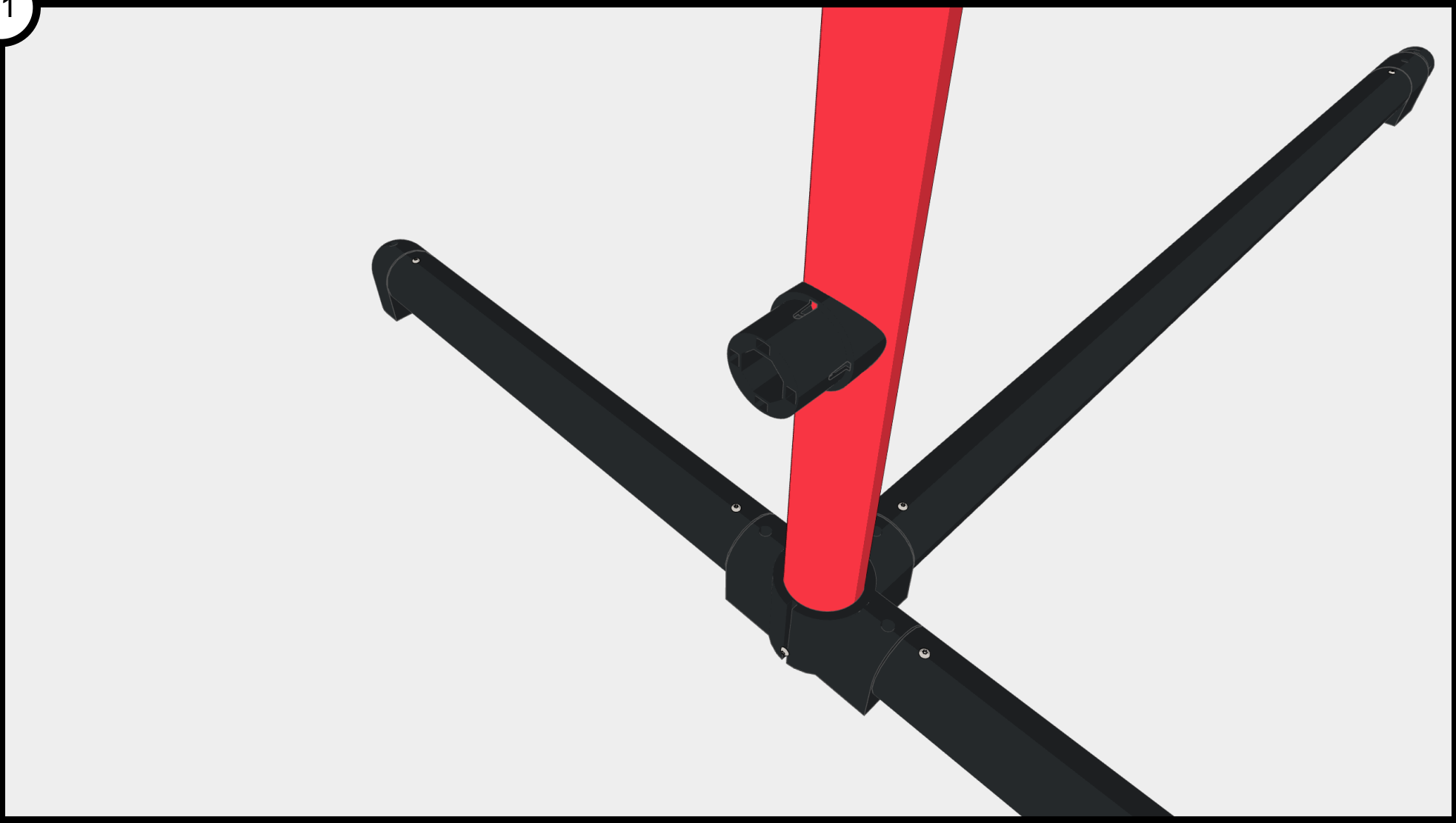




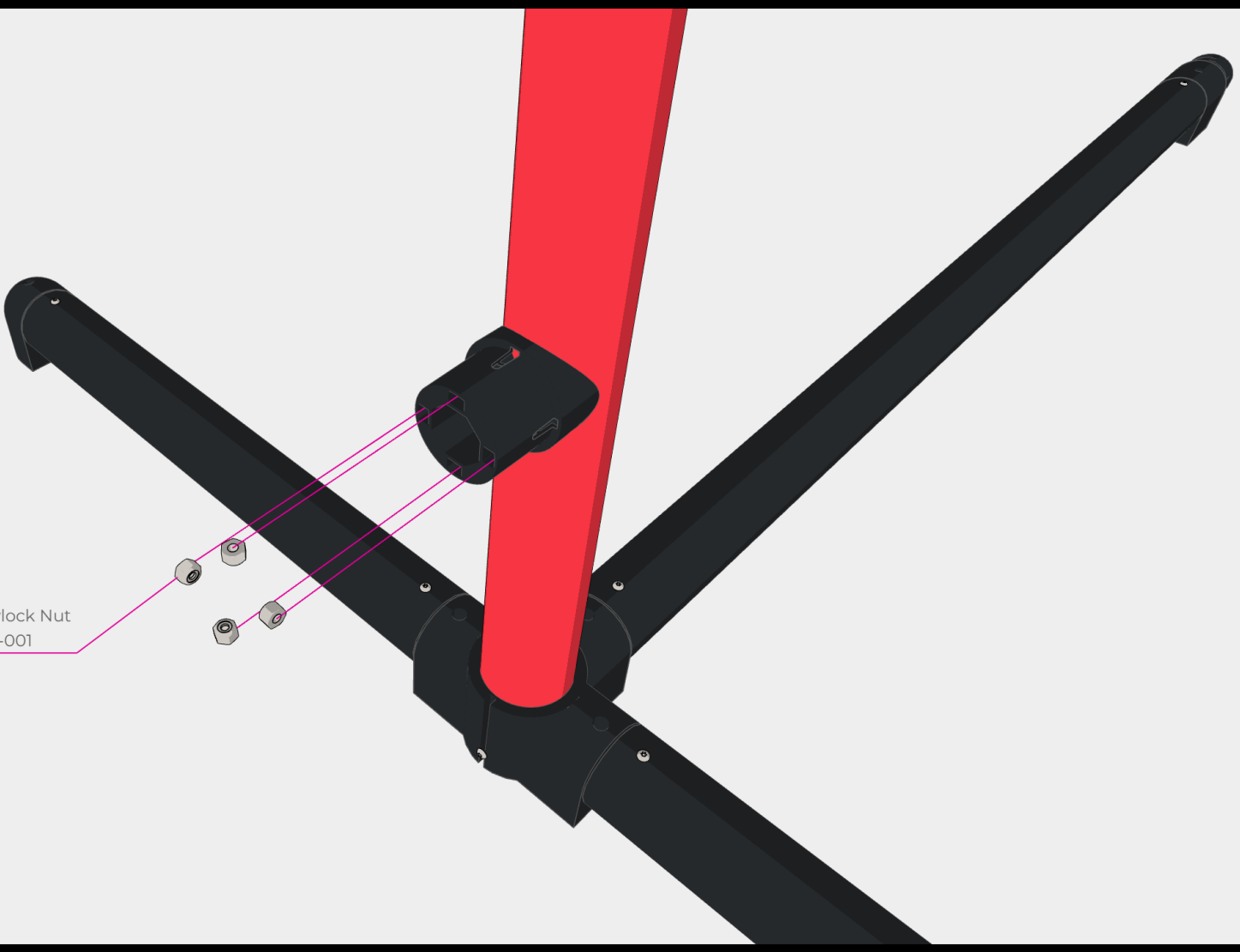
VRC Large Pipe Nut Block
276-8354-154

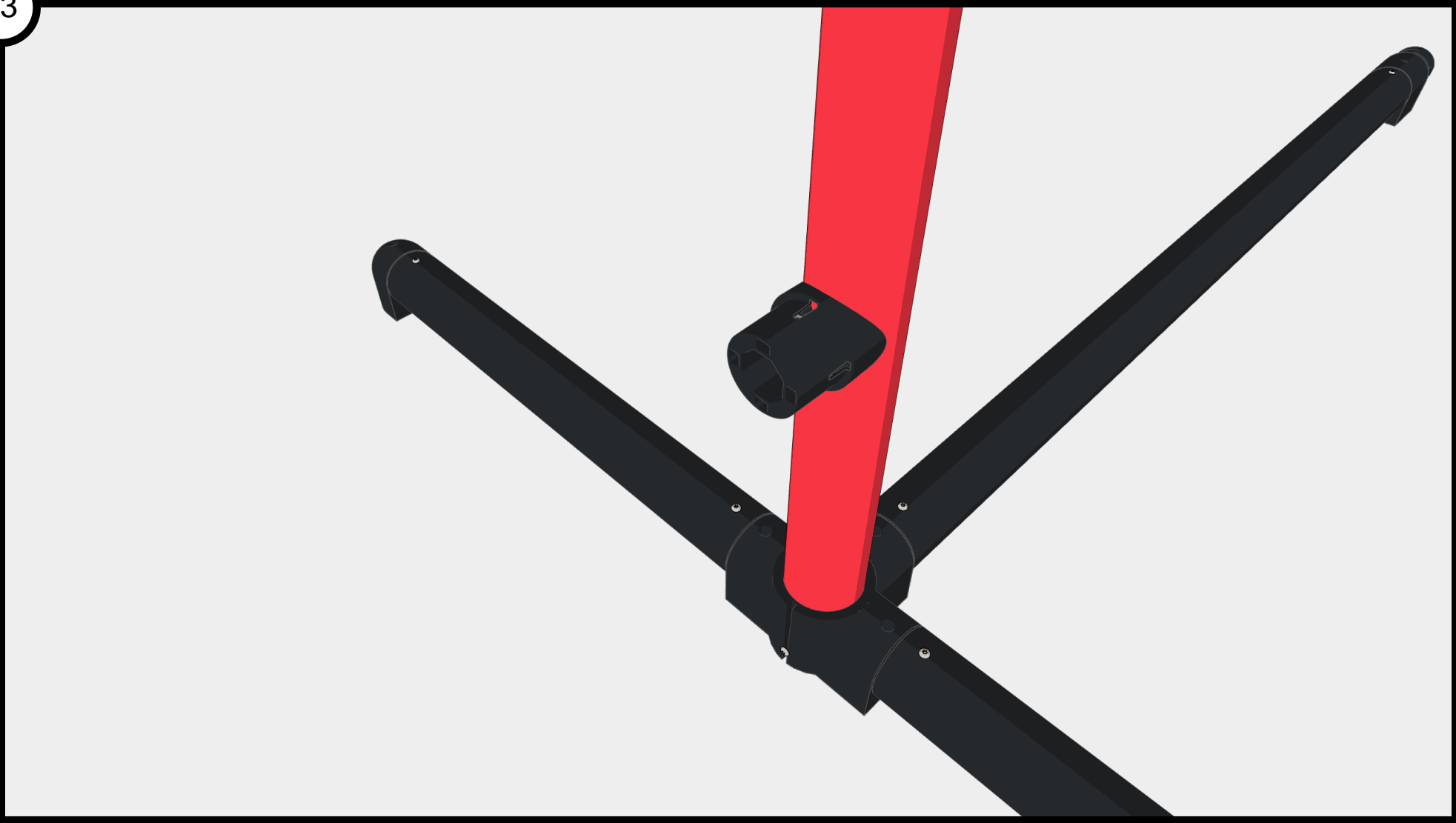
VRC Large Pipe T
276-8354-153

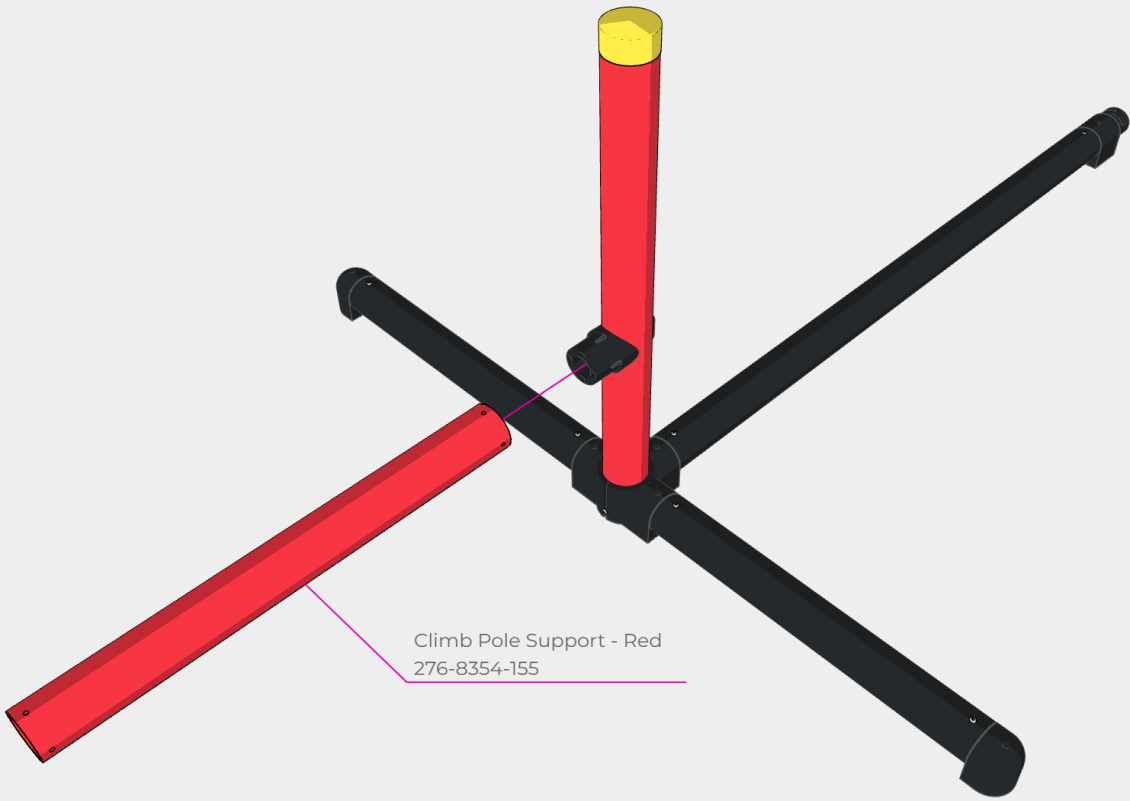
Star Drive Screw 8-32 x 2.500"
276-8016-001



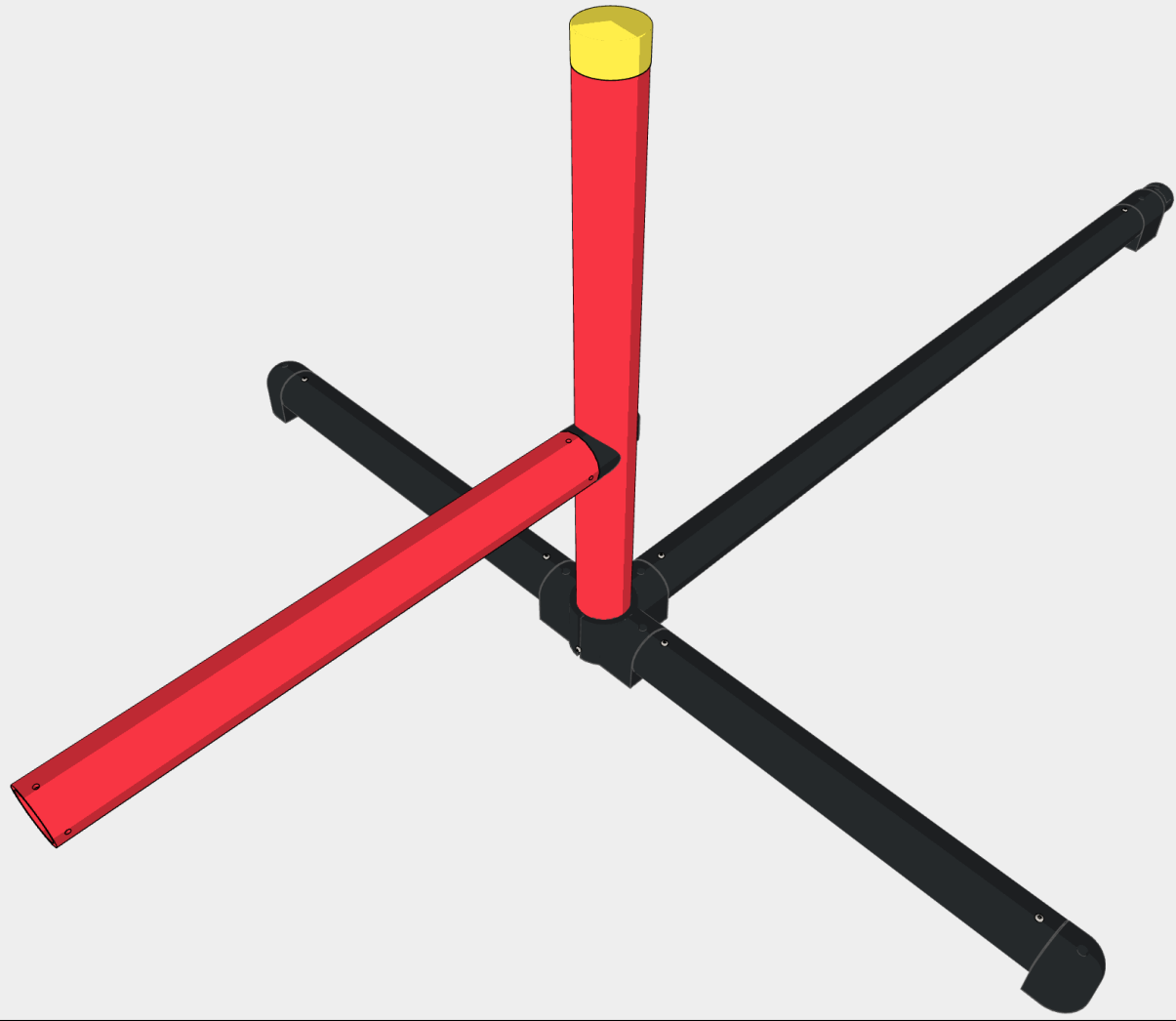
#8-32 Nylock Nut
276-1027-001



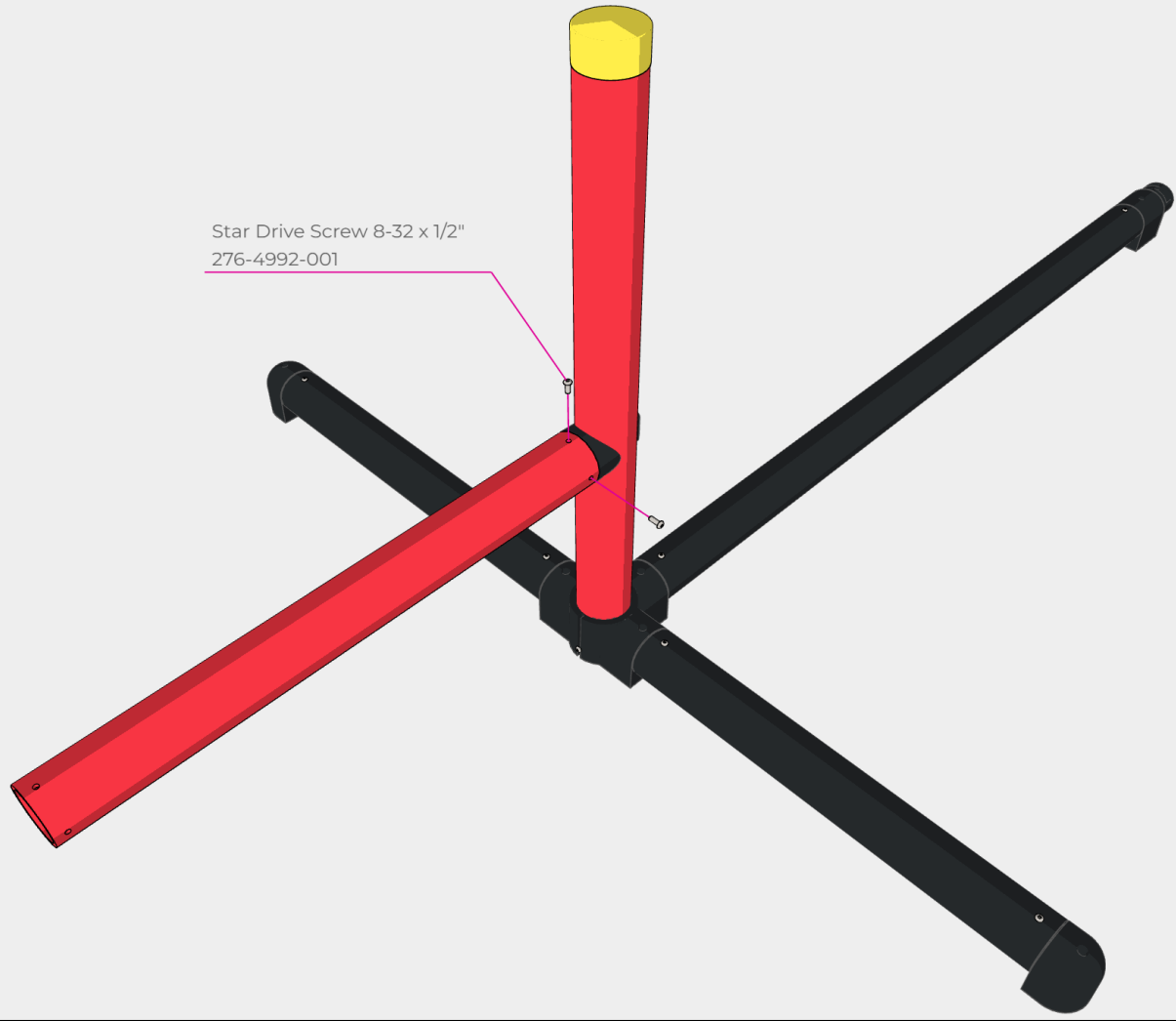


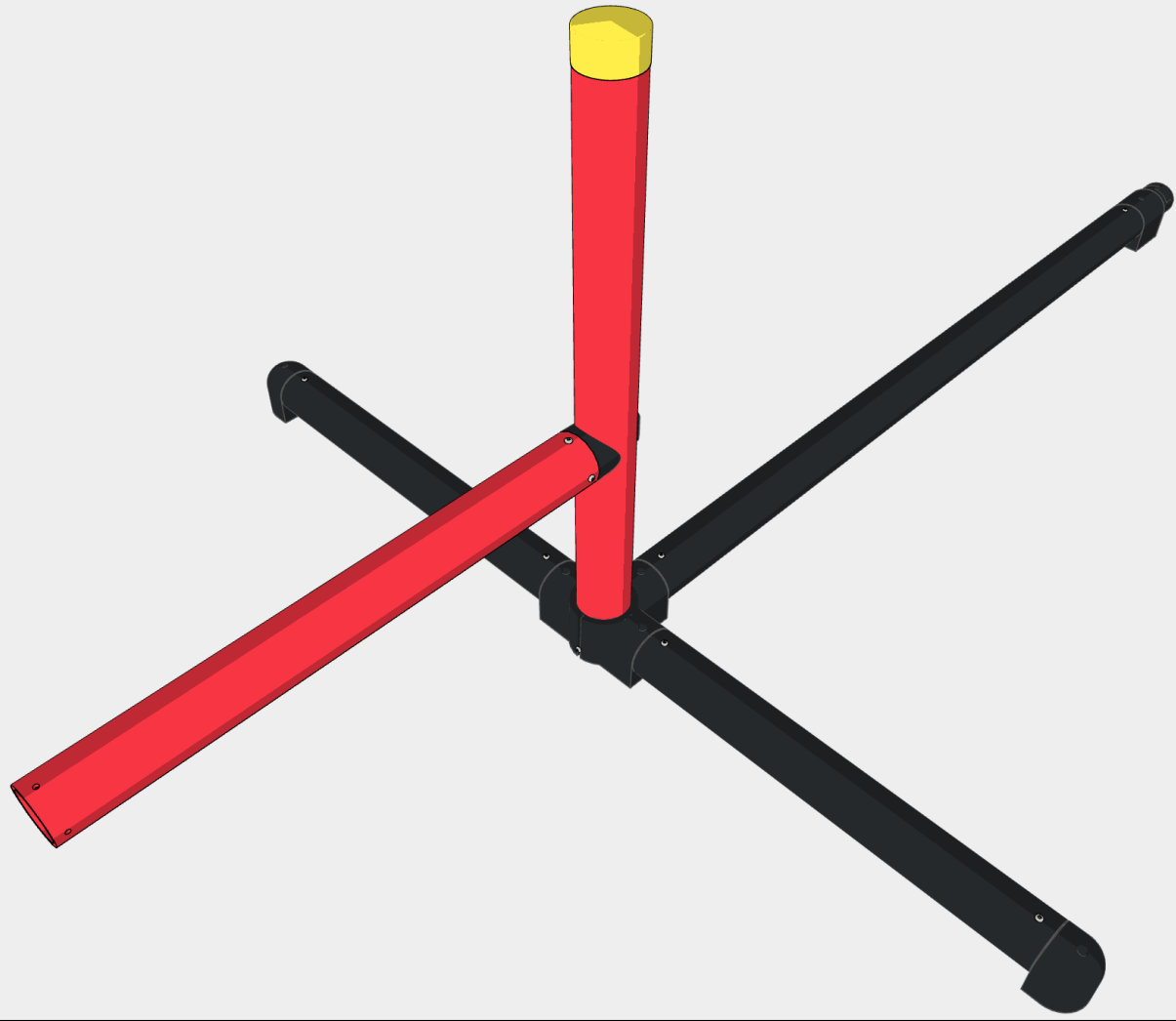


Climb Pole Support - Red
276-8354-155



Star Drive Screw 8-32 x 1/2"
276-4992-001

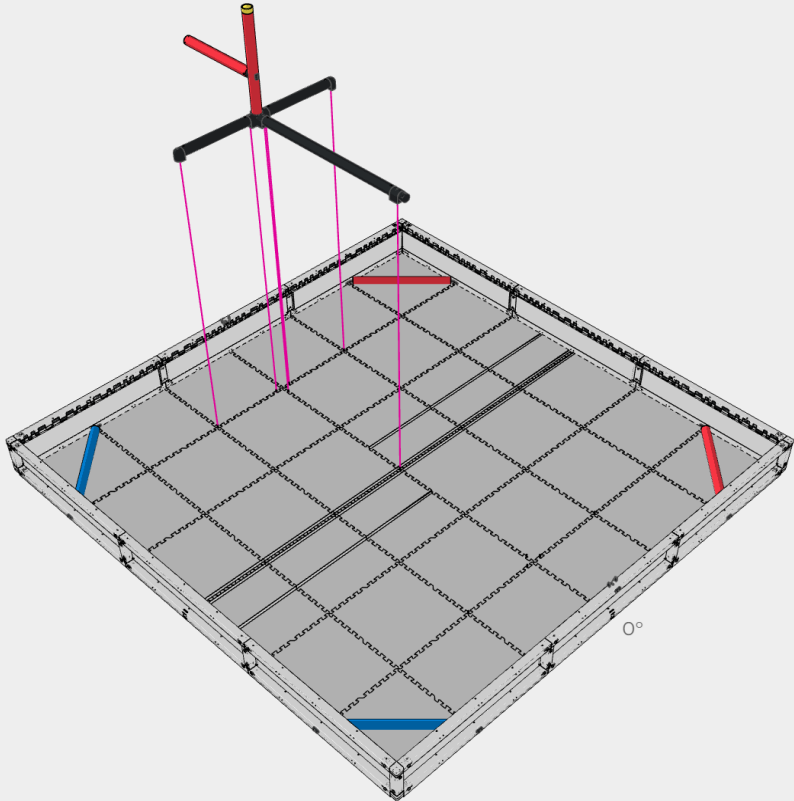


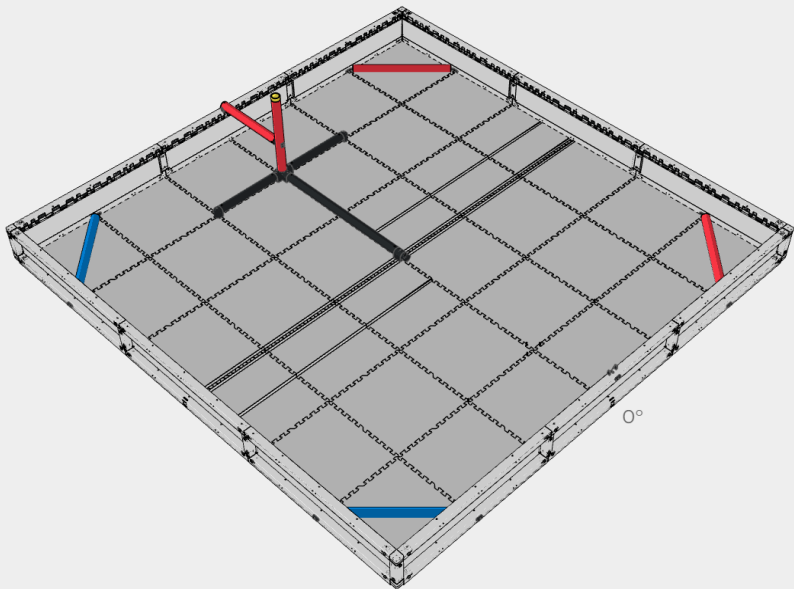


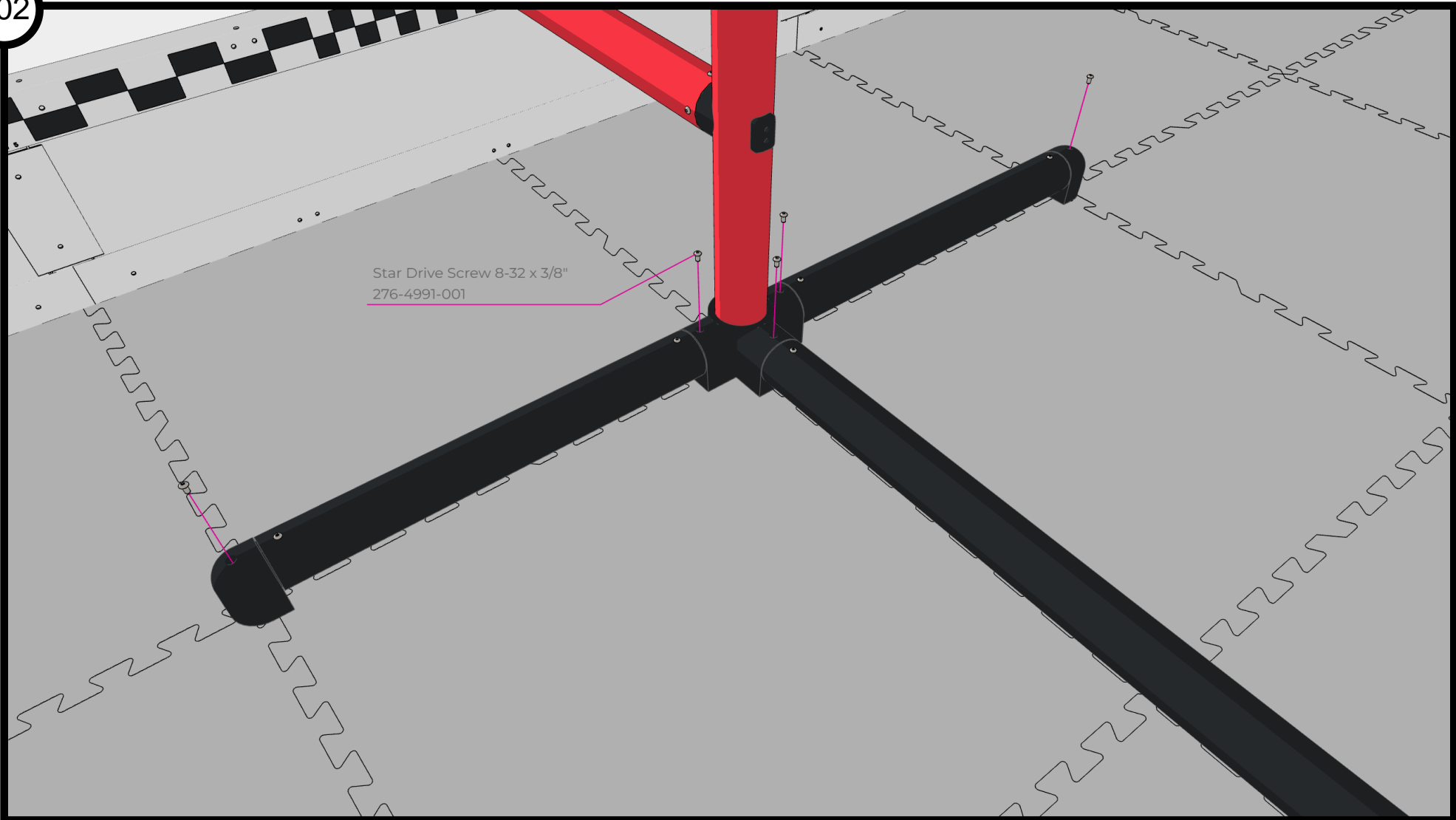


Star Drive Screw 8-32 x 1/2"
276-4992-001

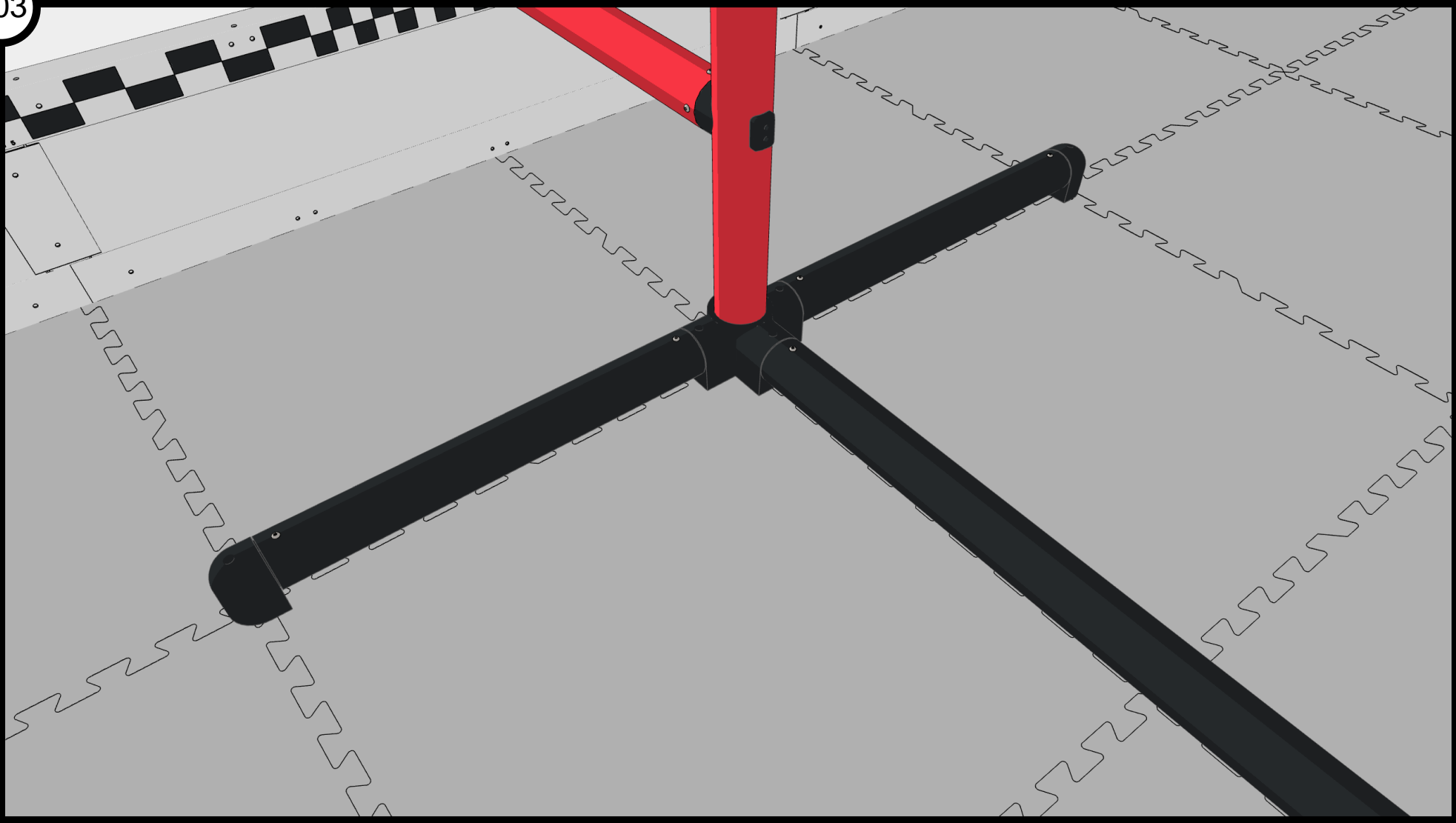




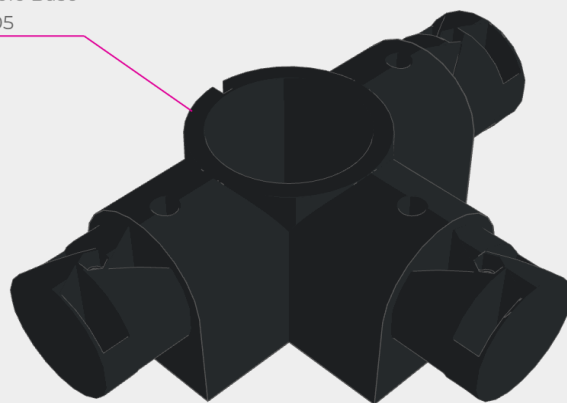


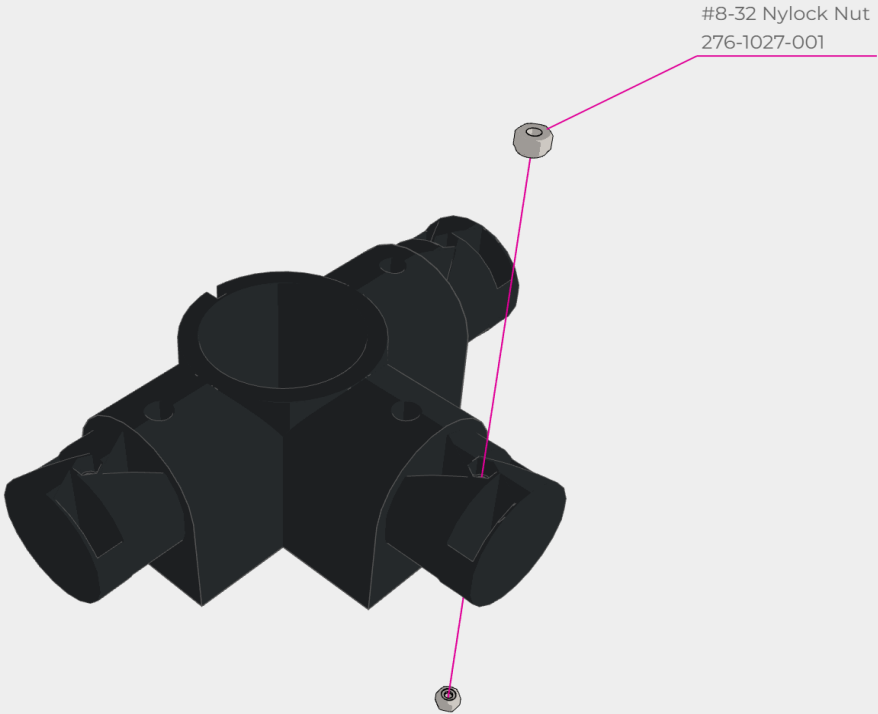


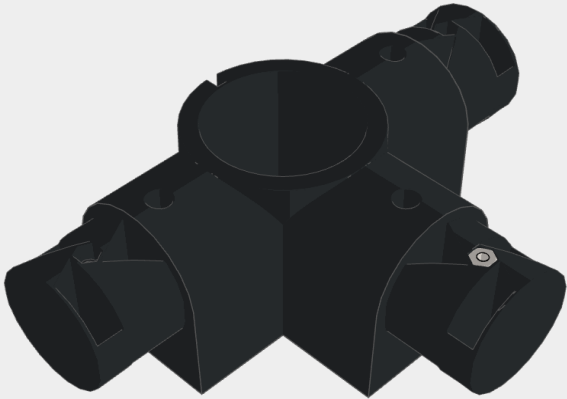
Star Drive Screw 8-32 x 3/8"
276-4991-001



Climbing Pole Base
276-8354-105



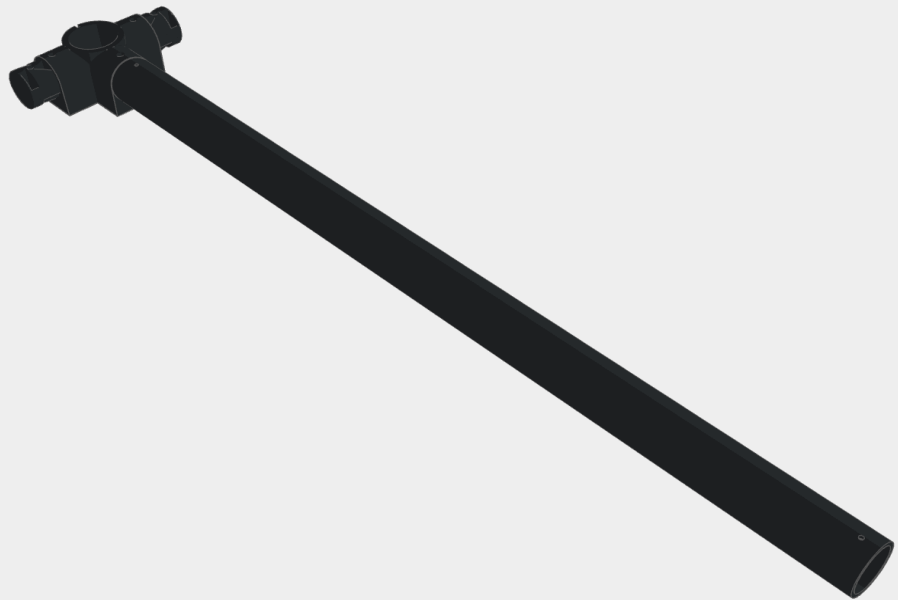


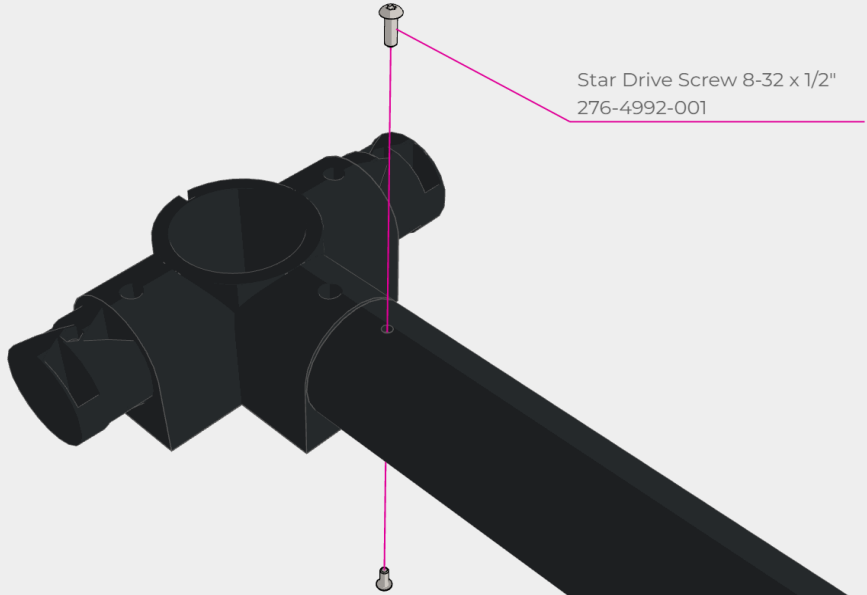




Barrier Pipe Long
276-8354-101

108



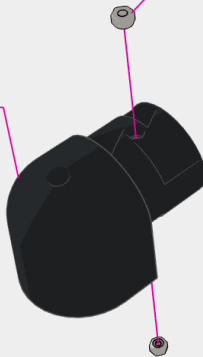




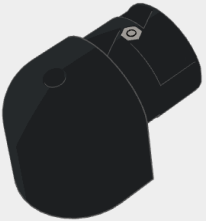
2x

VRC Large Pipe End Cap
276-8354-103

#8-32 Nylock Nut
276-1027-001

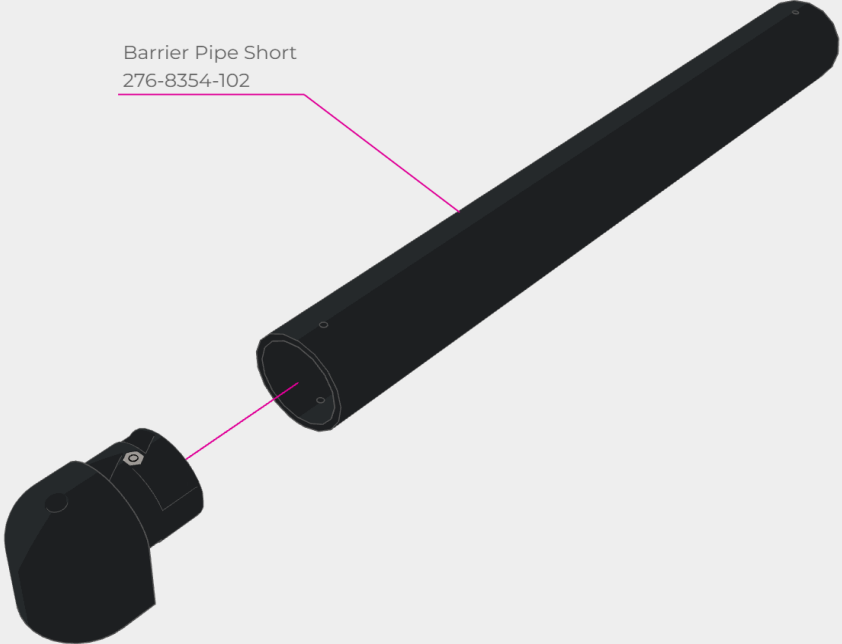


2x

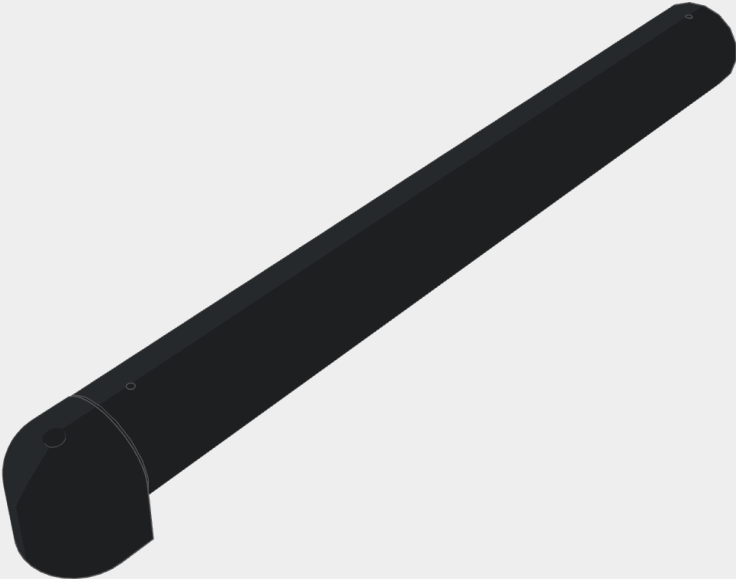


2x

Barrier Pipe Short
276-8354-102

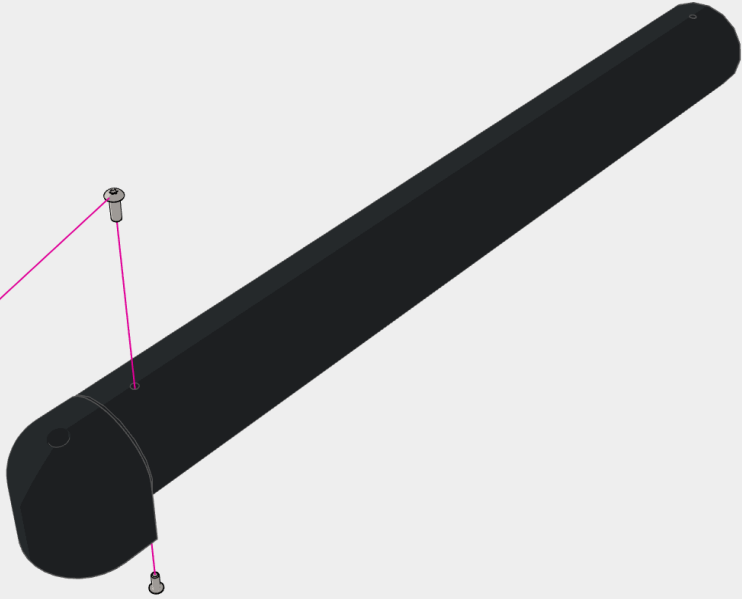


2x



2x

Star Drive Screw 8-32 x 1/2"
276-4992-001



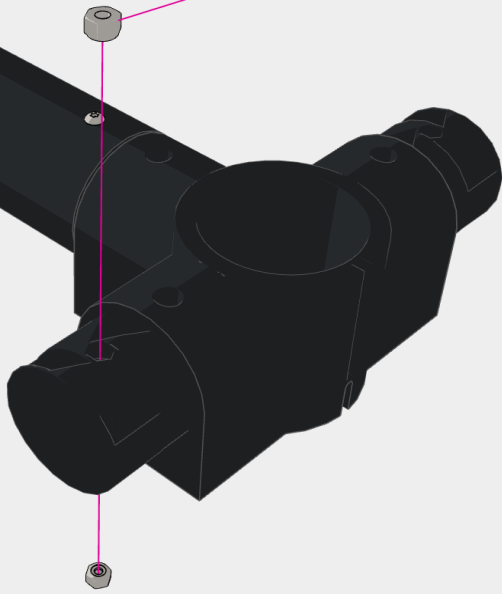
116

2x

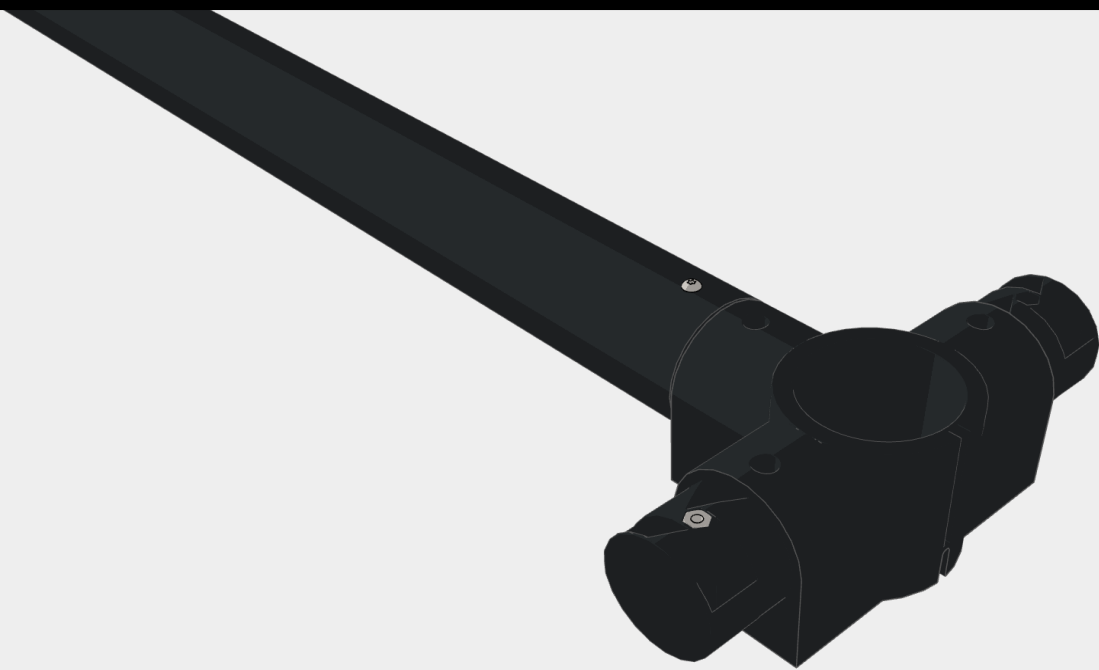


117

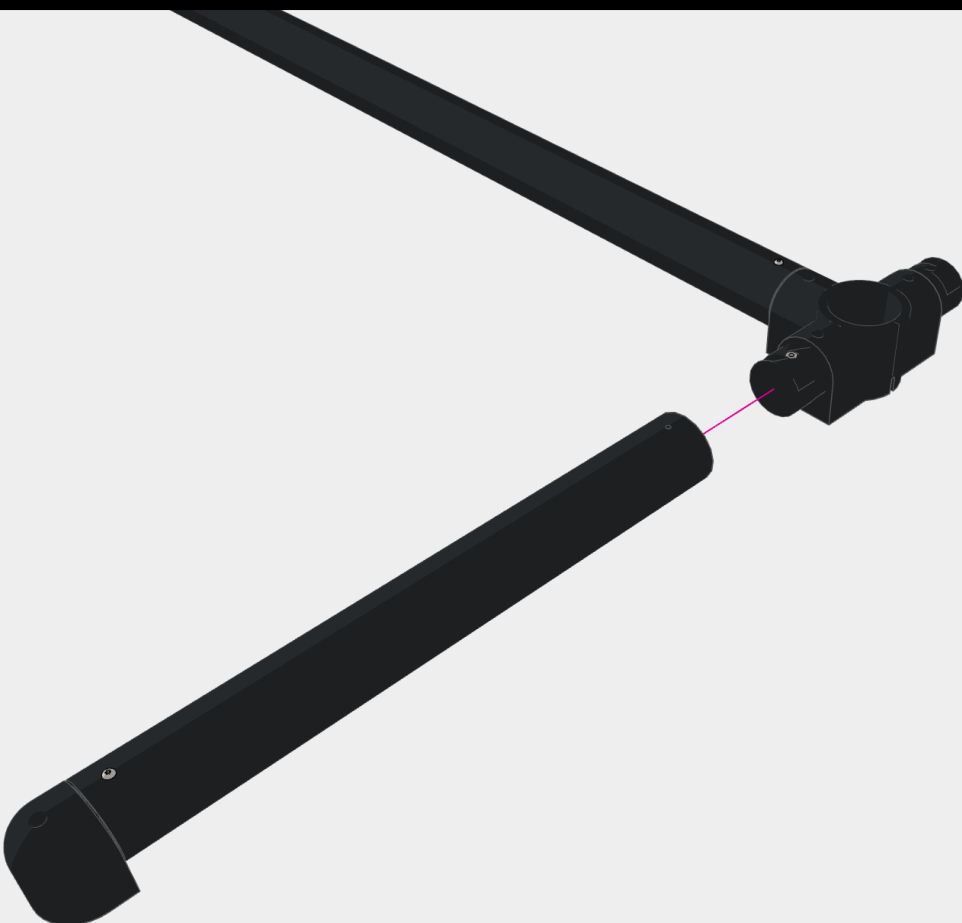
#8-32 Nylock Nut
276-1027-001



118



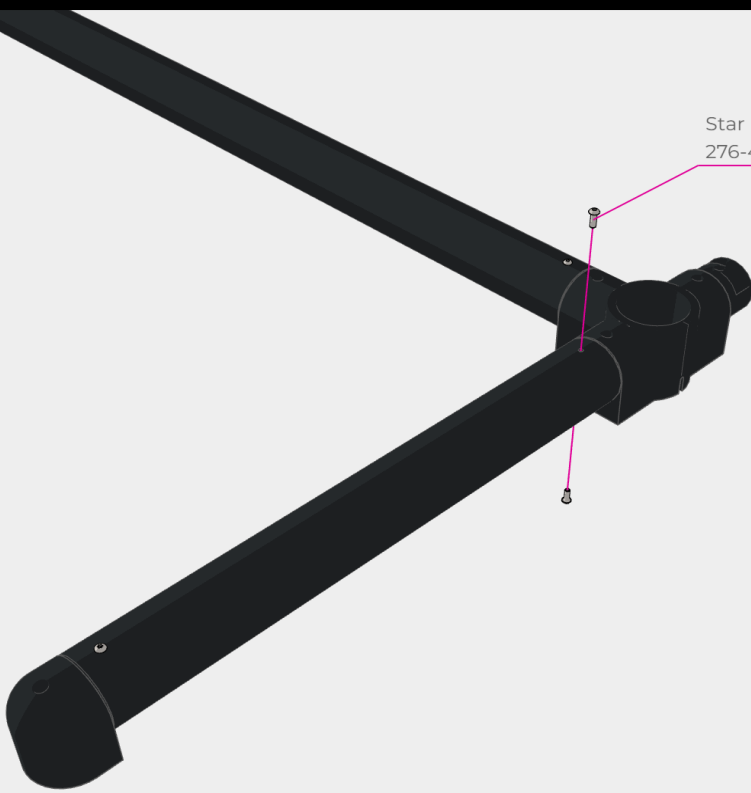
119



120



121

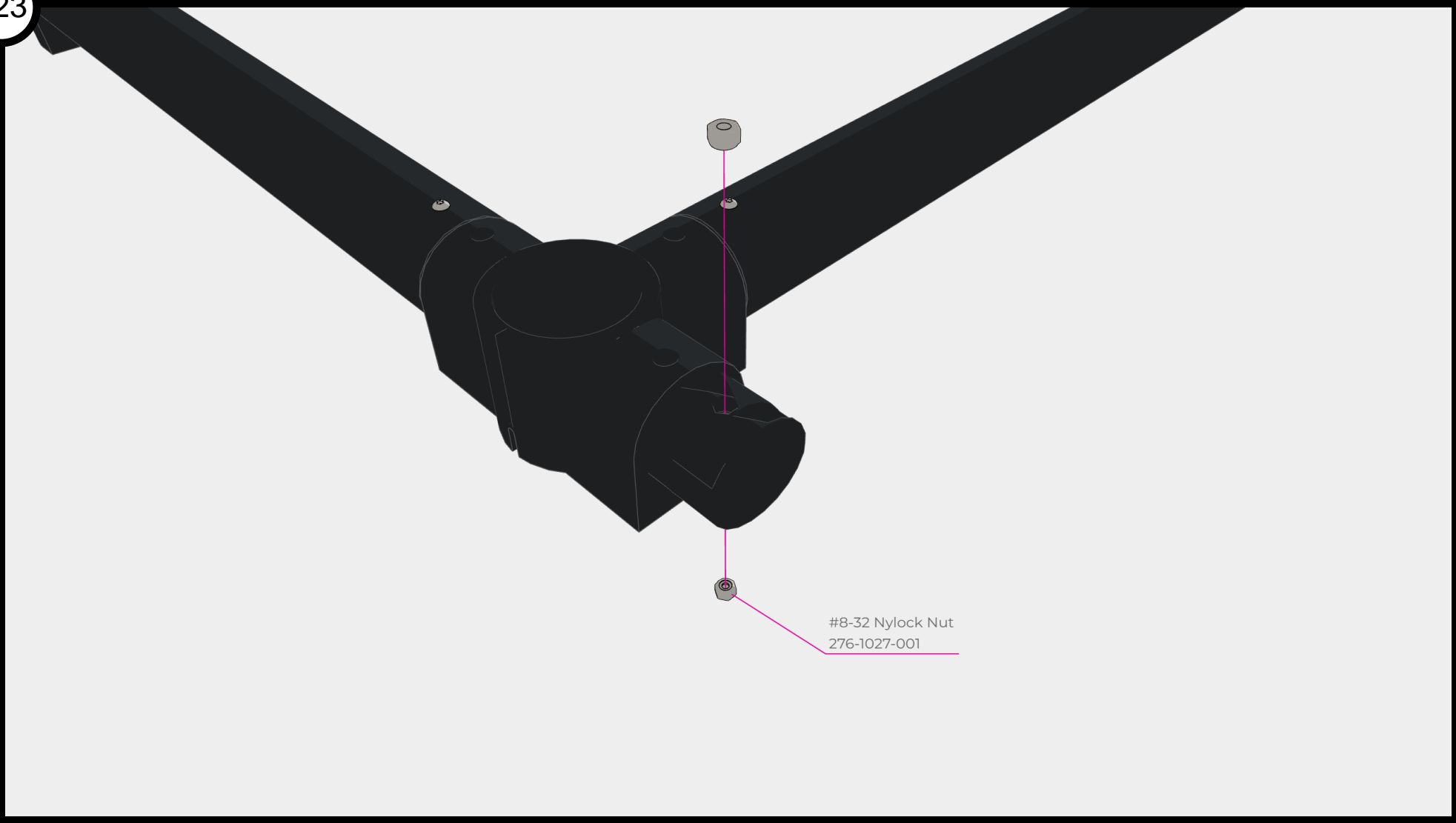


Star Drive Screw 8-32 x 1/2"
276-4992-001

122

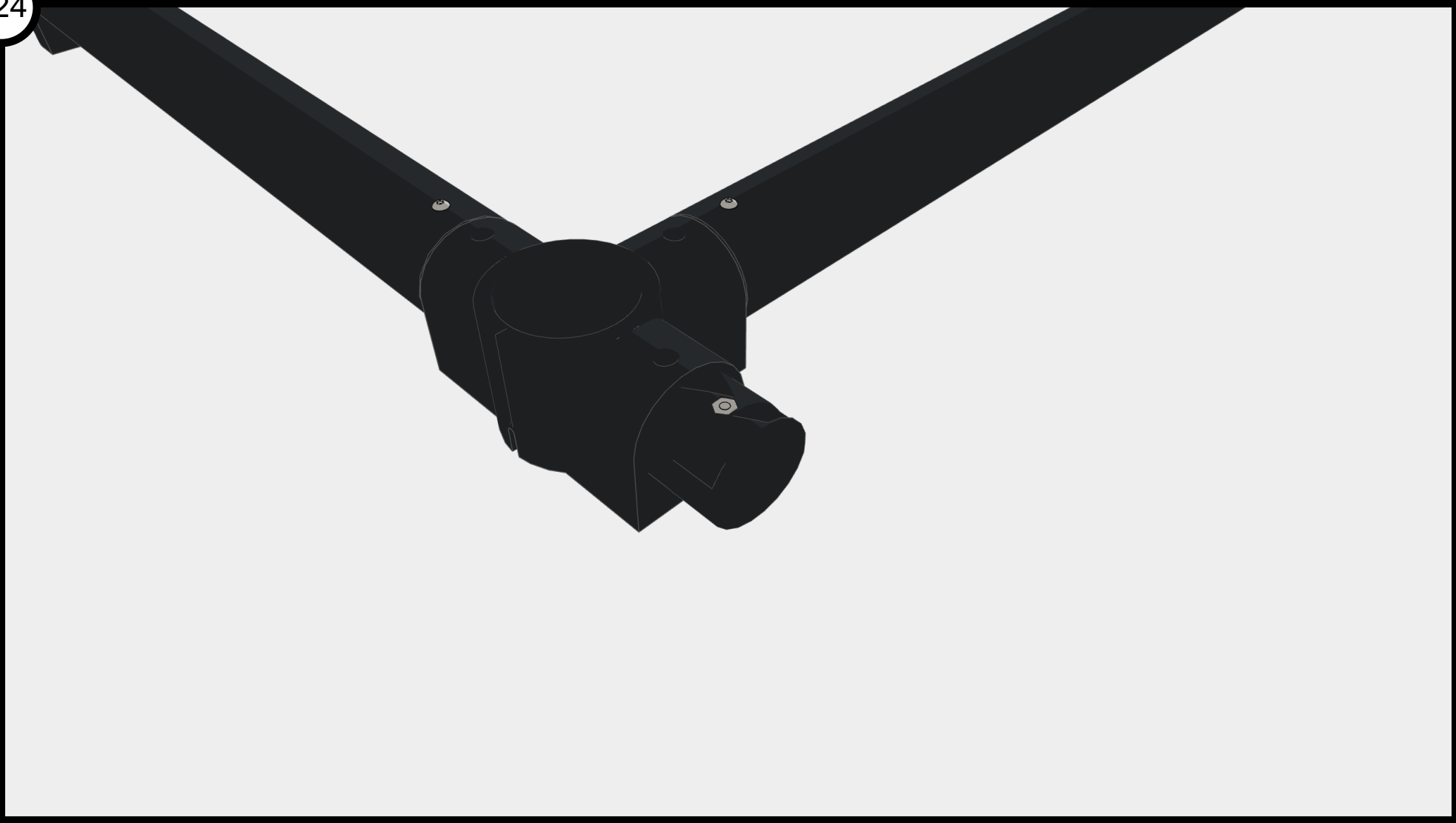


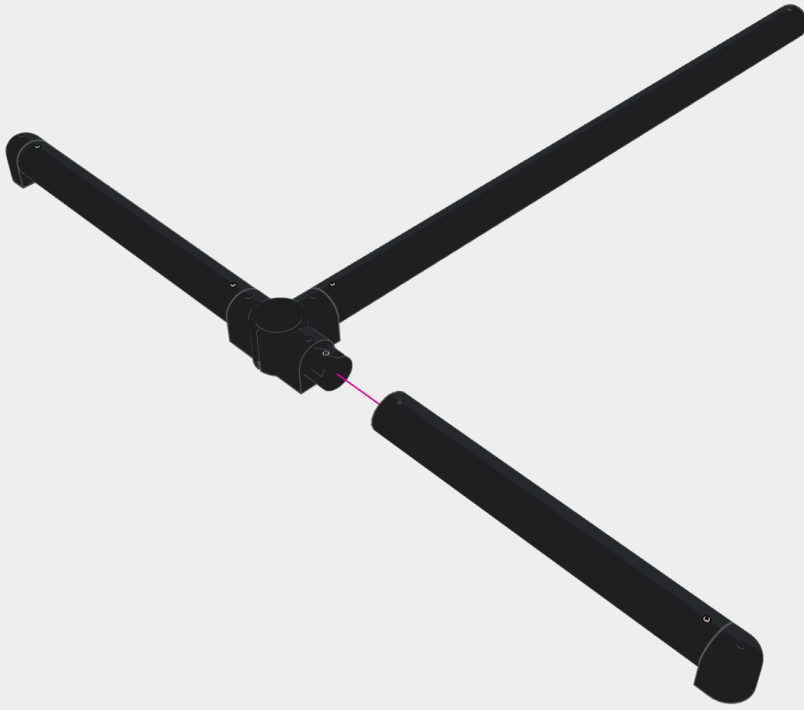
123



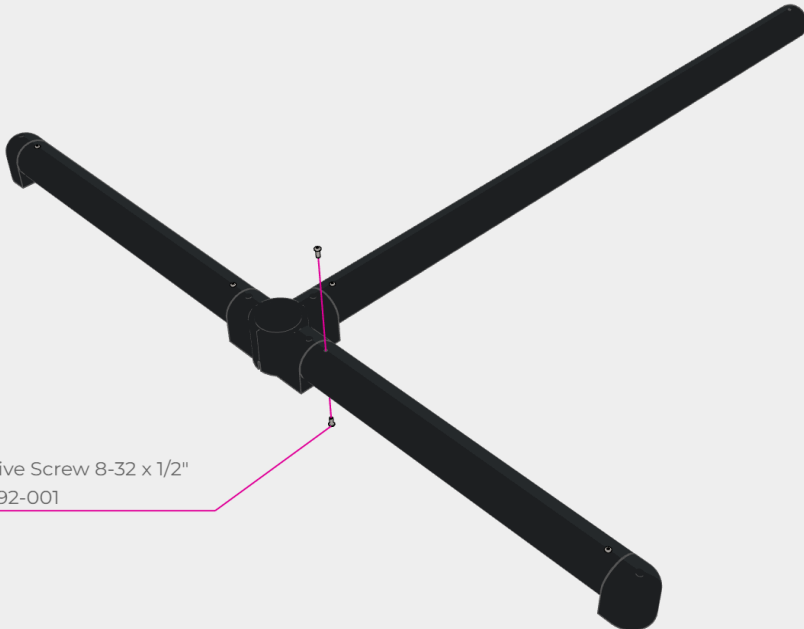
#8-32 Nylock Nut
276-1027-001

124



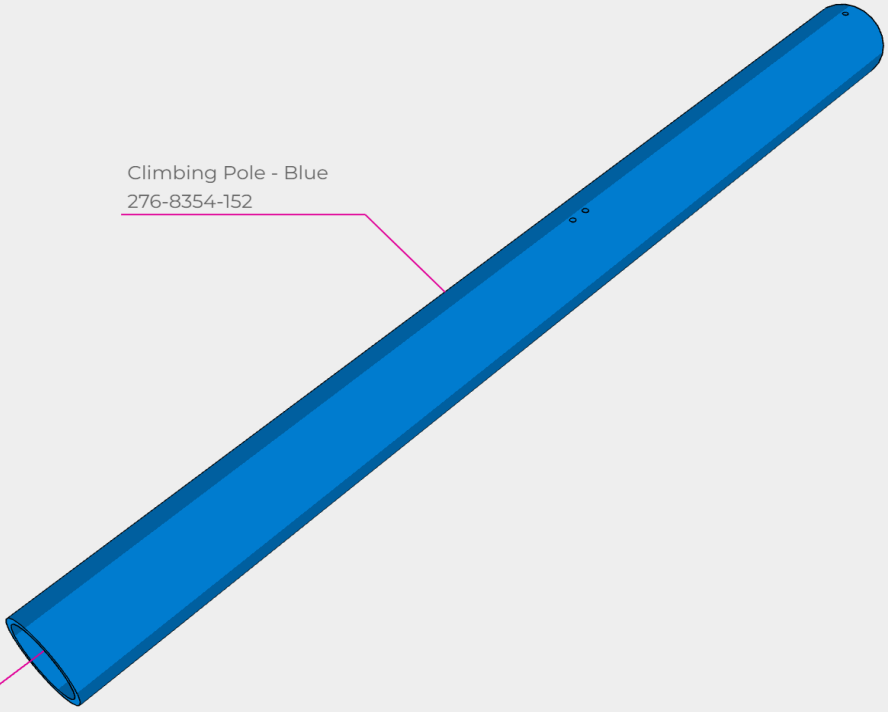






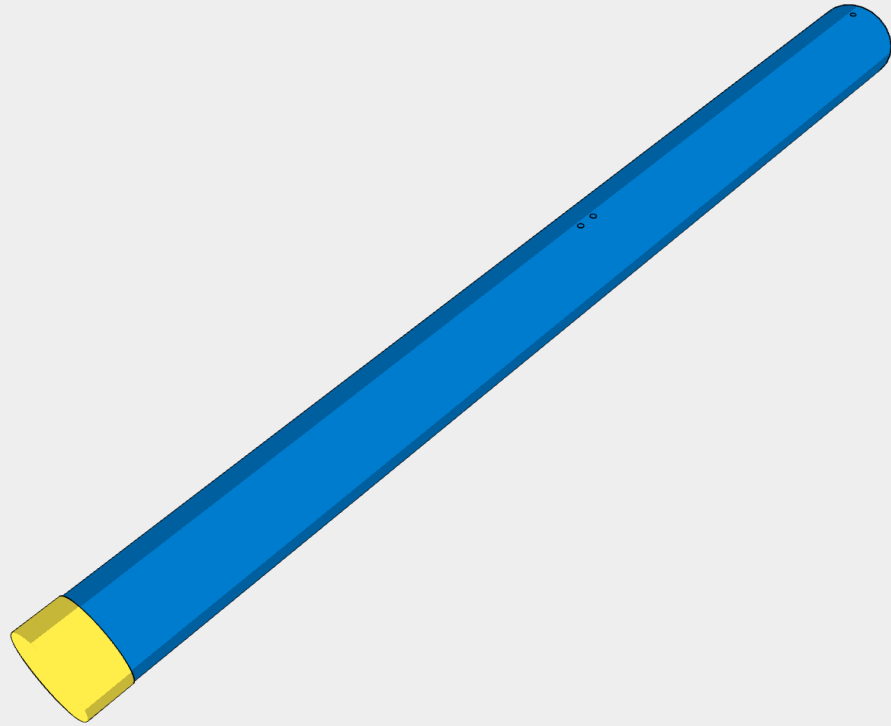
Star Drive Screw 8-32 x 1/2"
276-4992-001

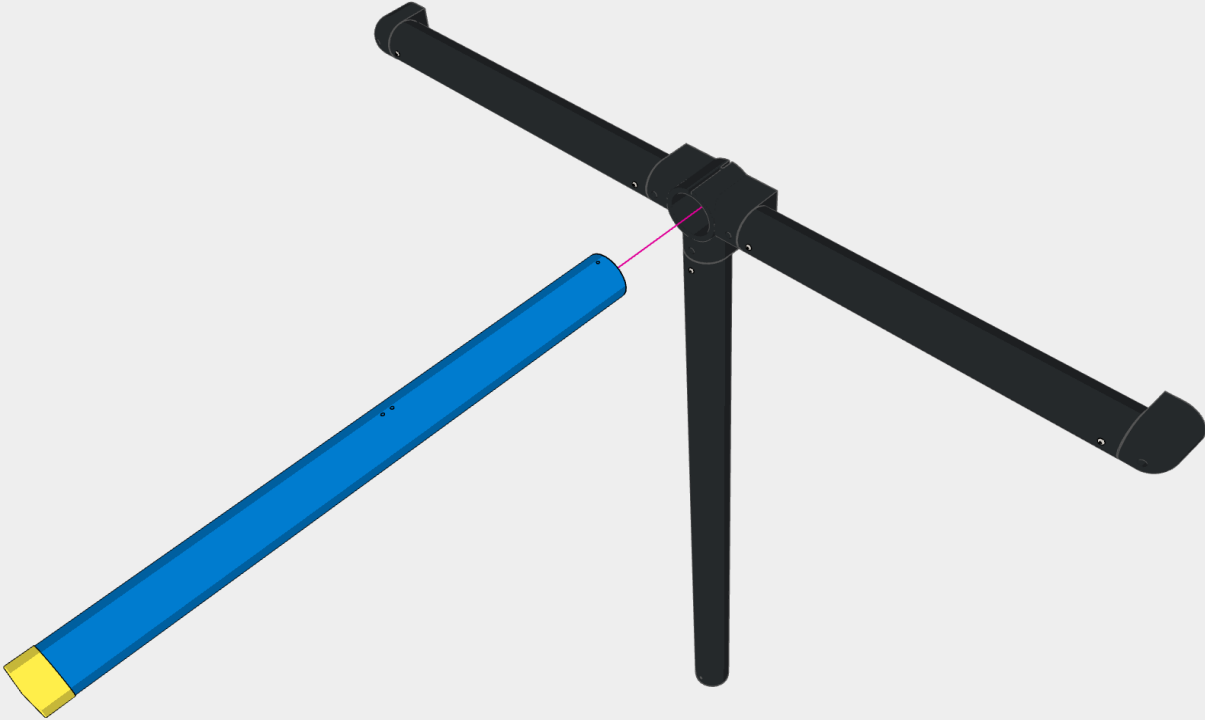


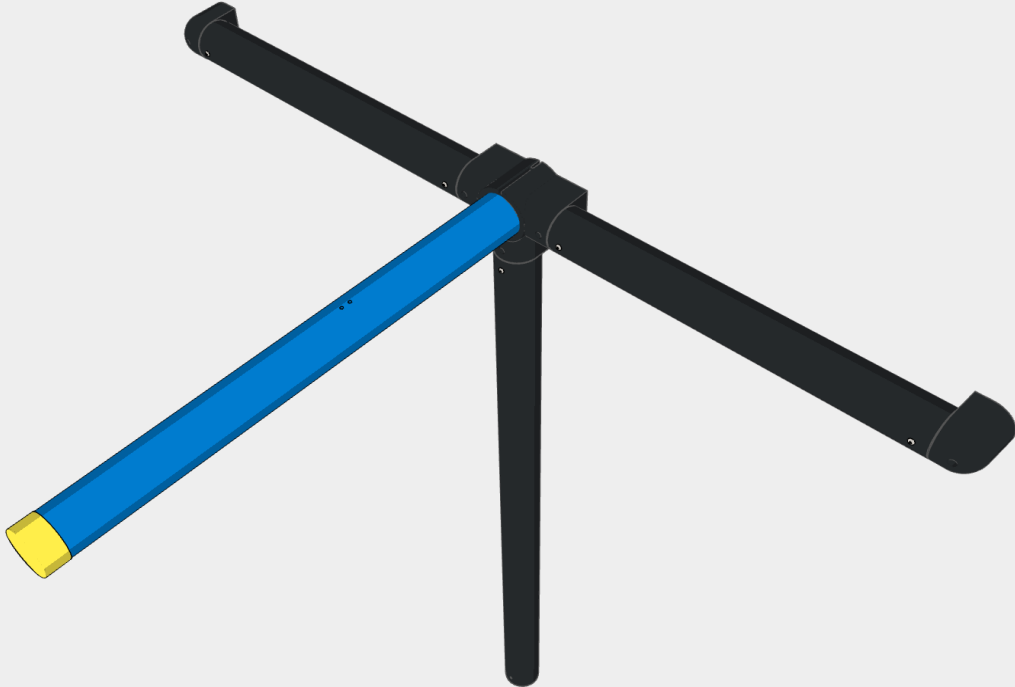


Climbing Pole - Blue
276-8354-152

Pole Cap
276-8354-156

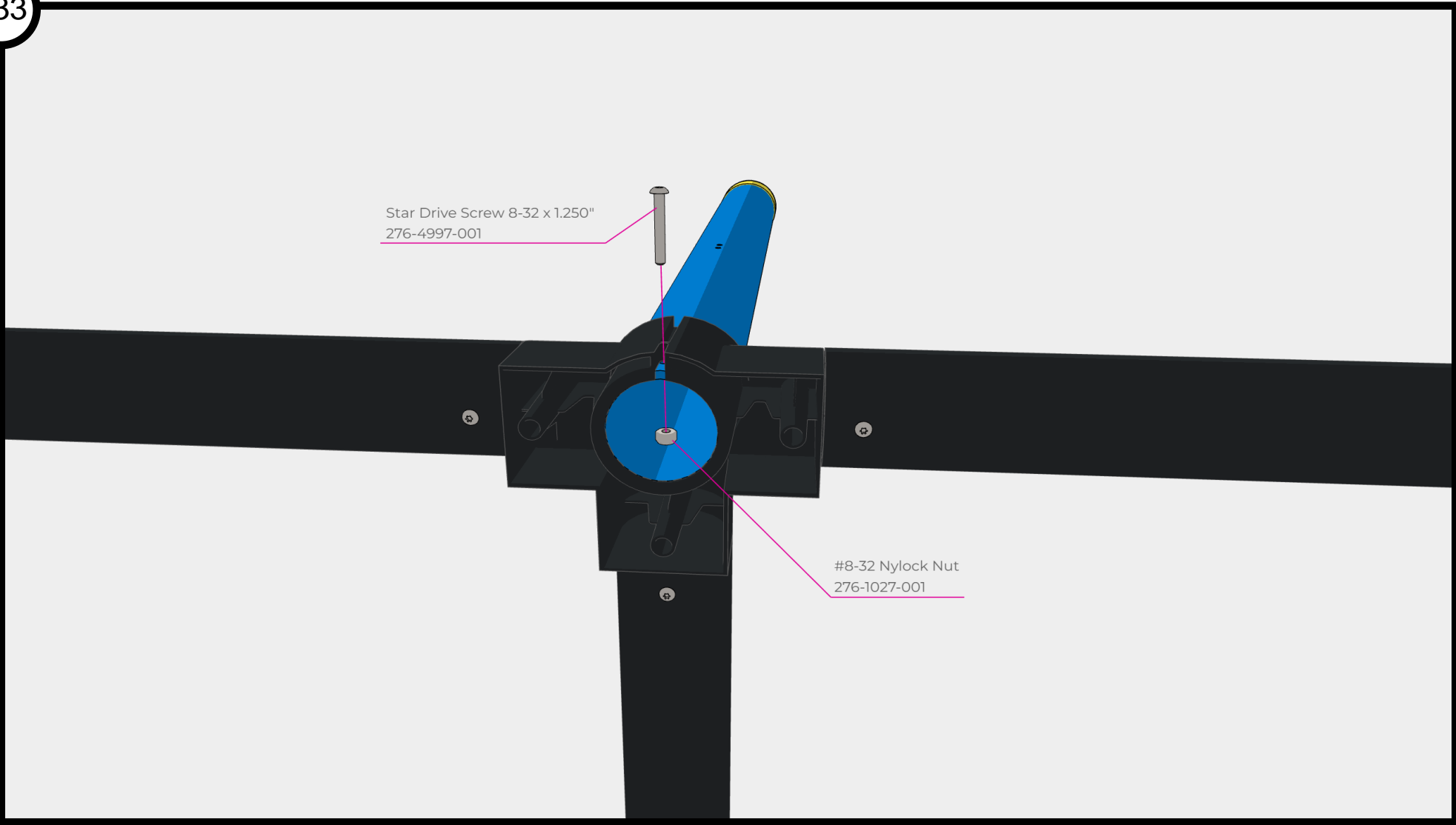




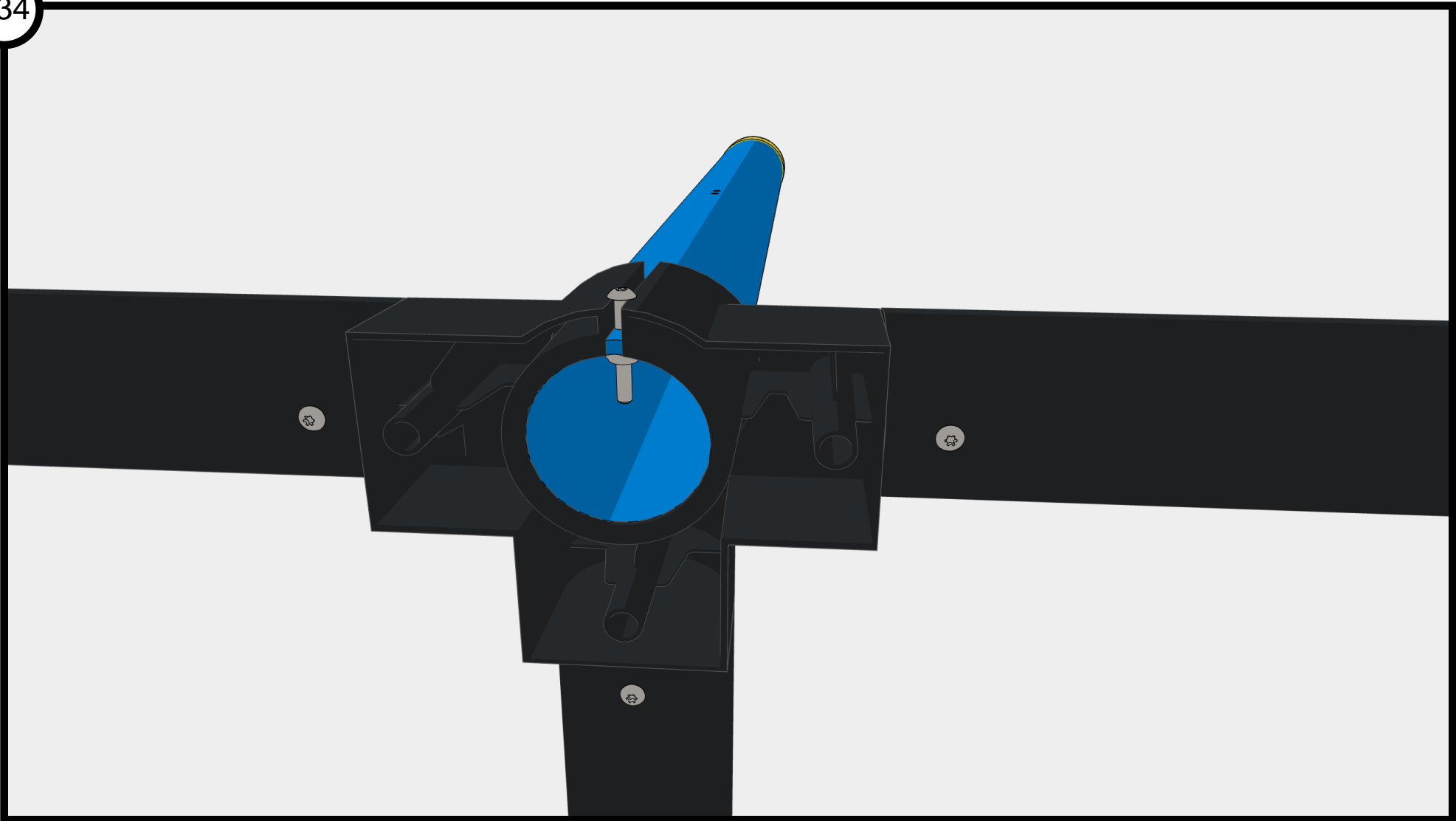


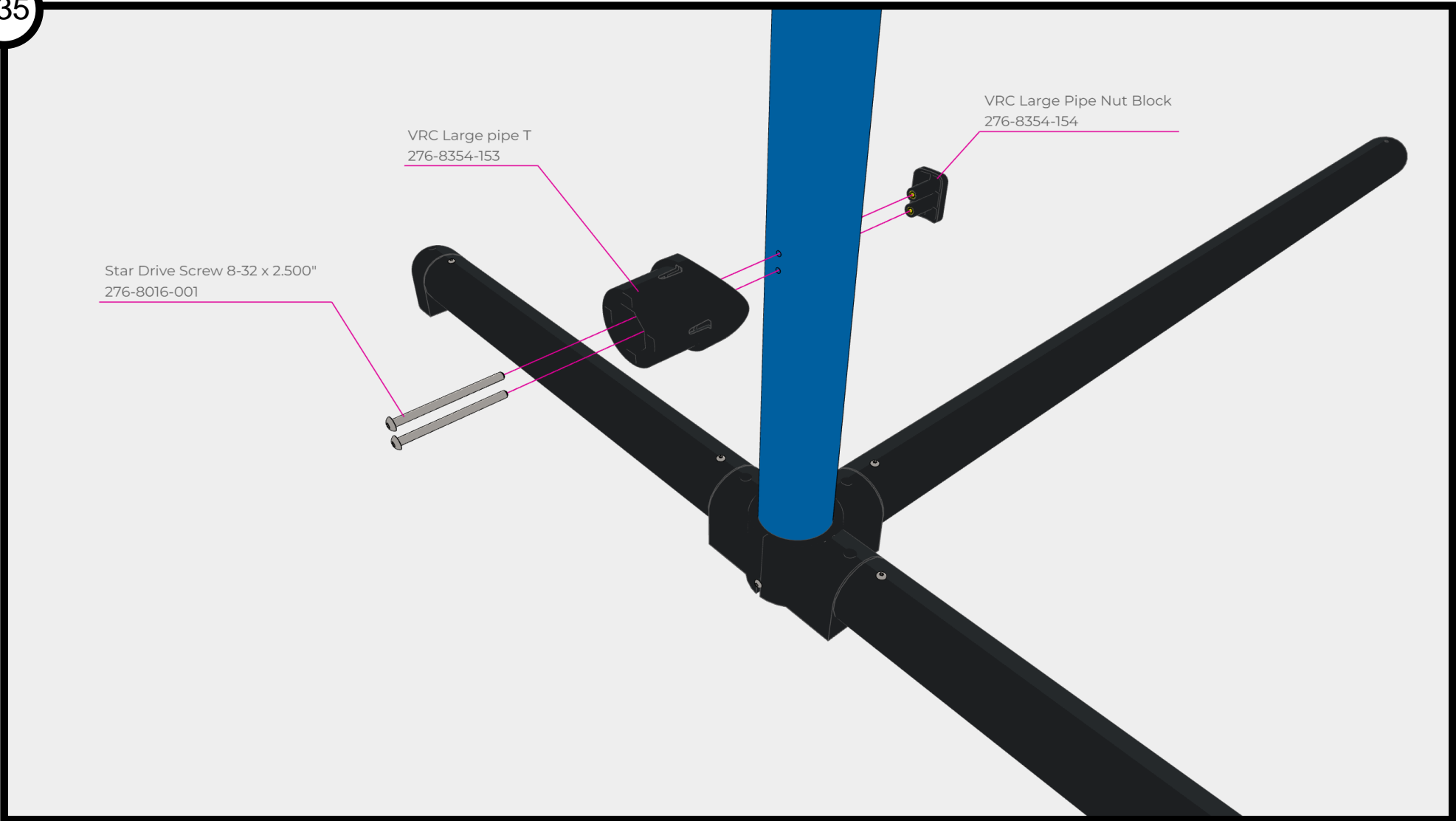
Star Drive Screw 8-32 x 1.250"
276-4997-001

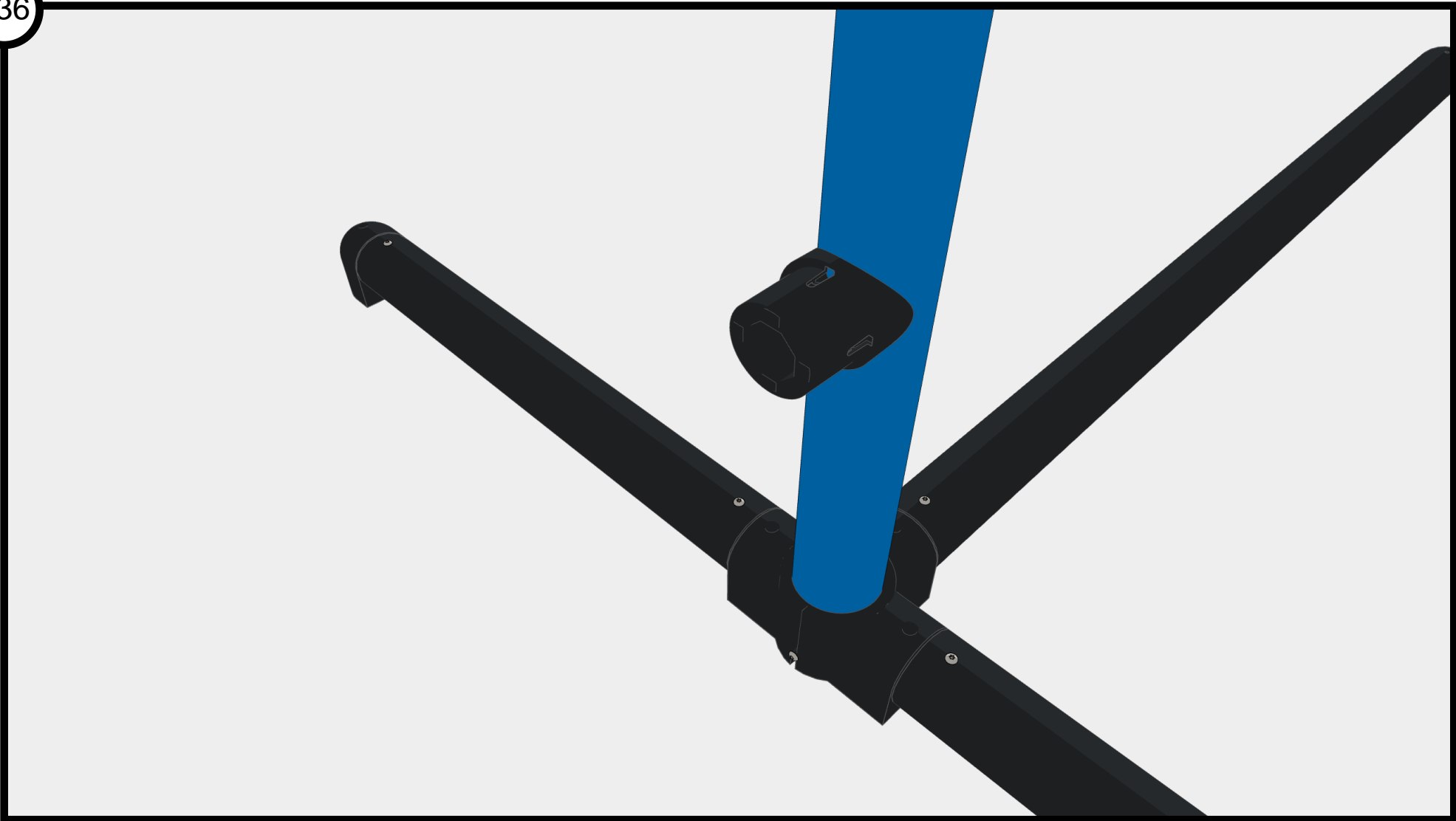
#8-32 Nylock Nut
276-1027-001

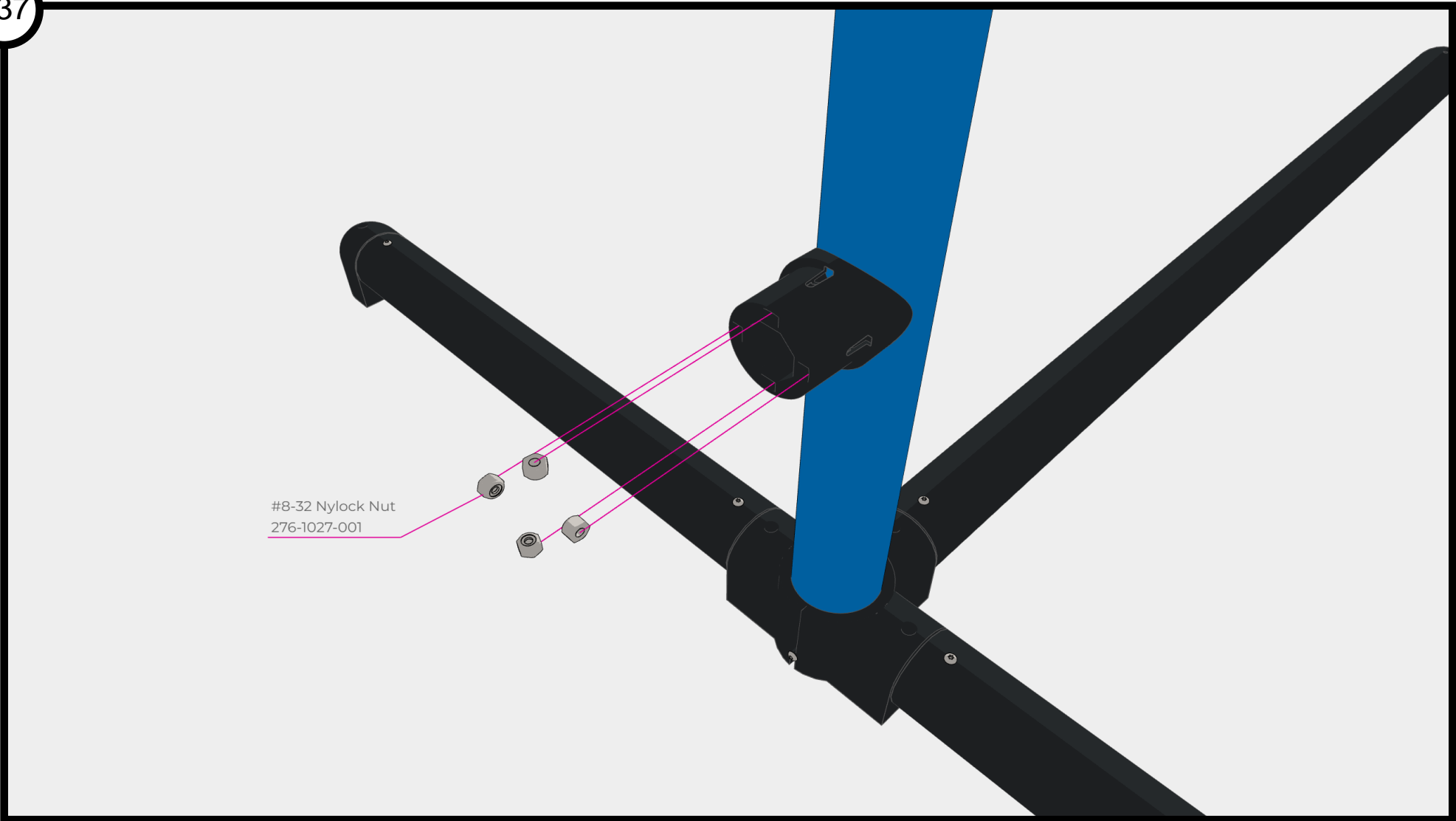


134

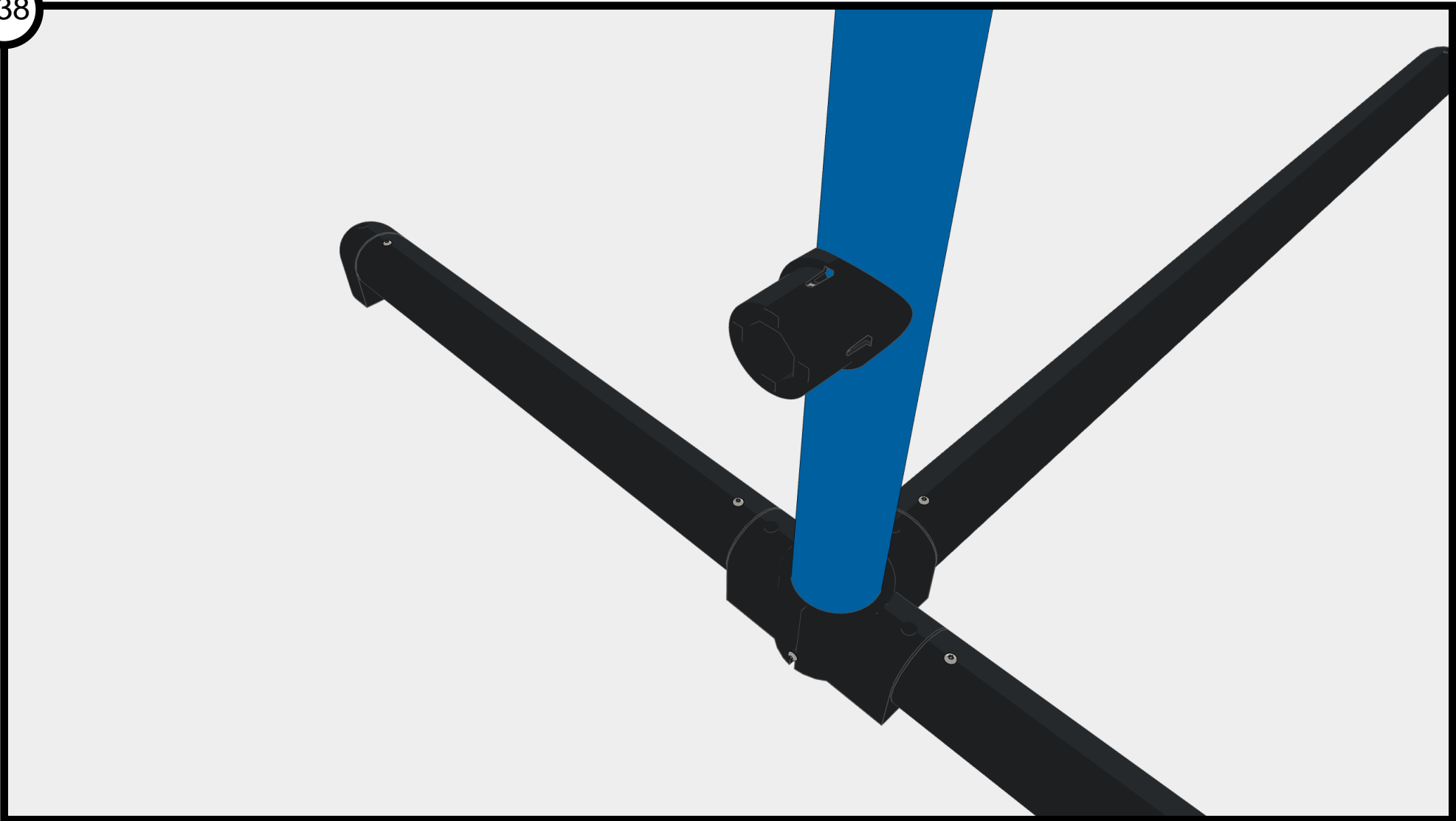




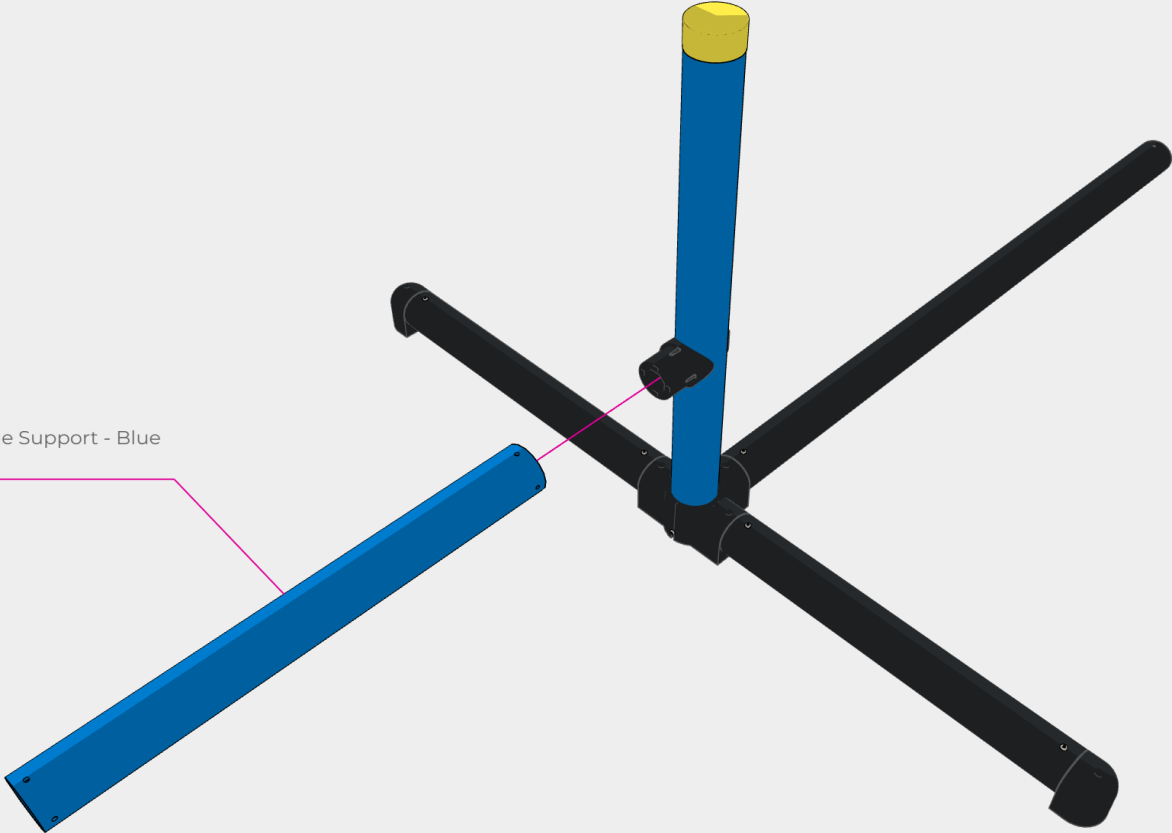


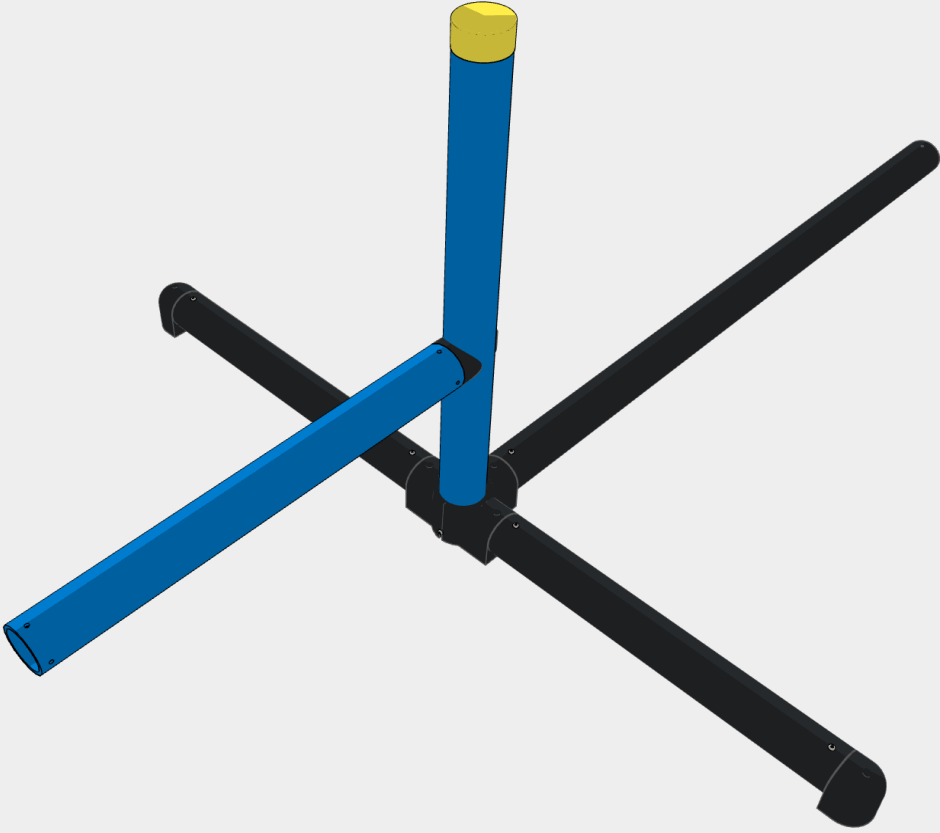


#8-32 Nylock Nut
276-1027-001

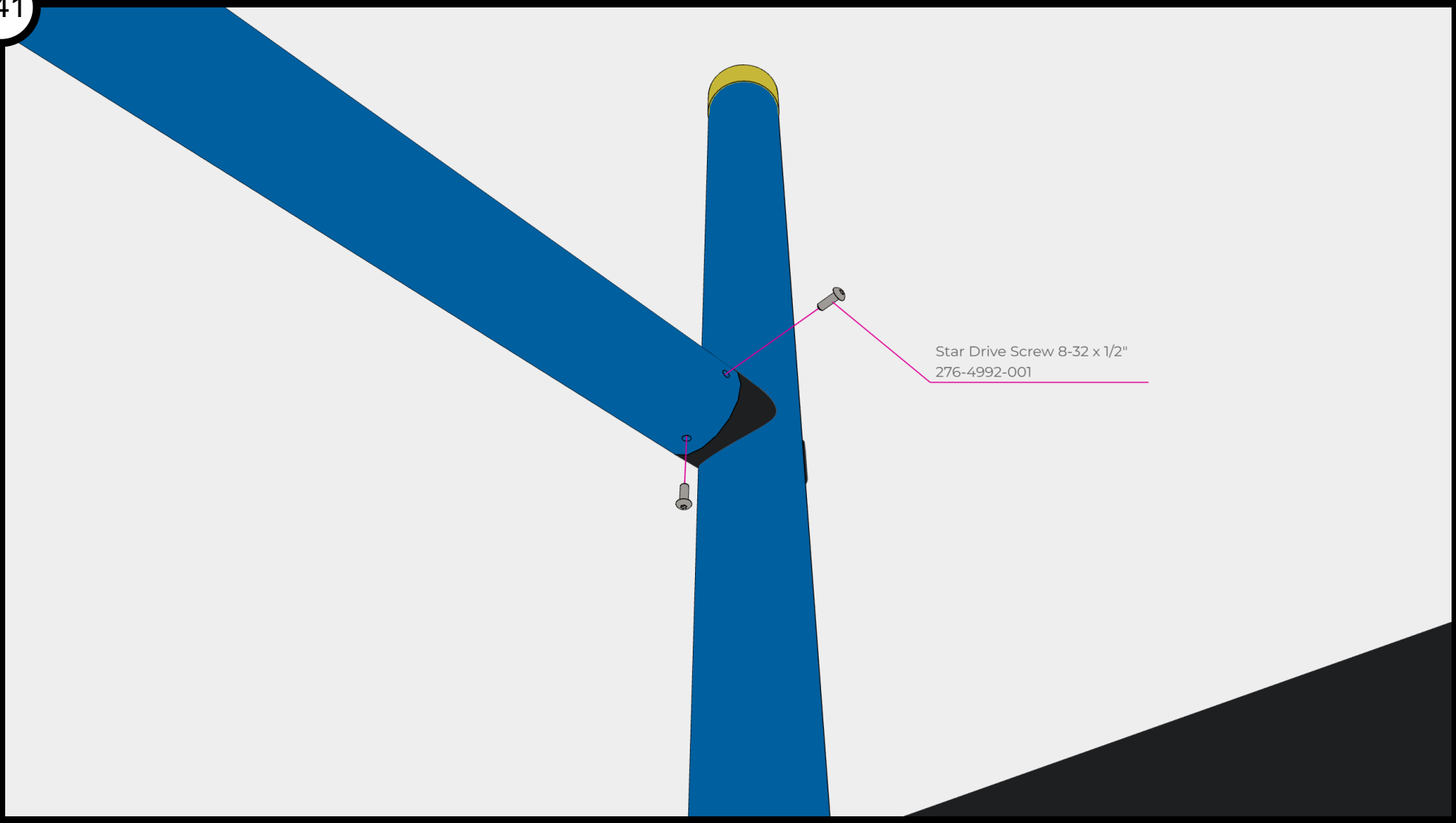


Climbing Pole Support - Blue
276-8354-157



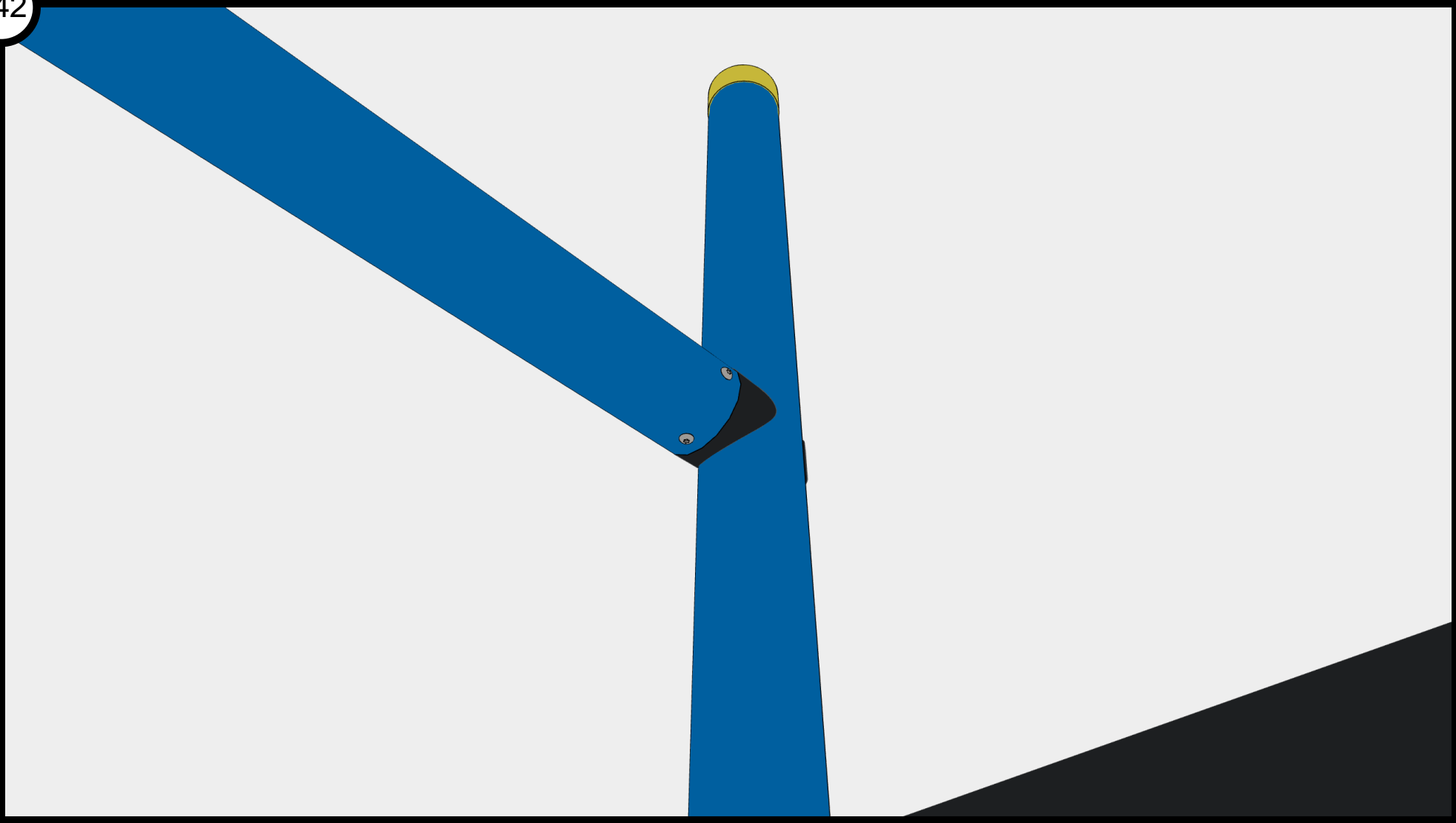


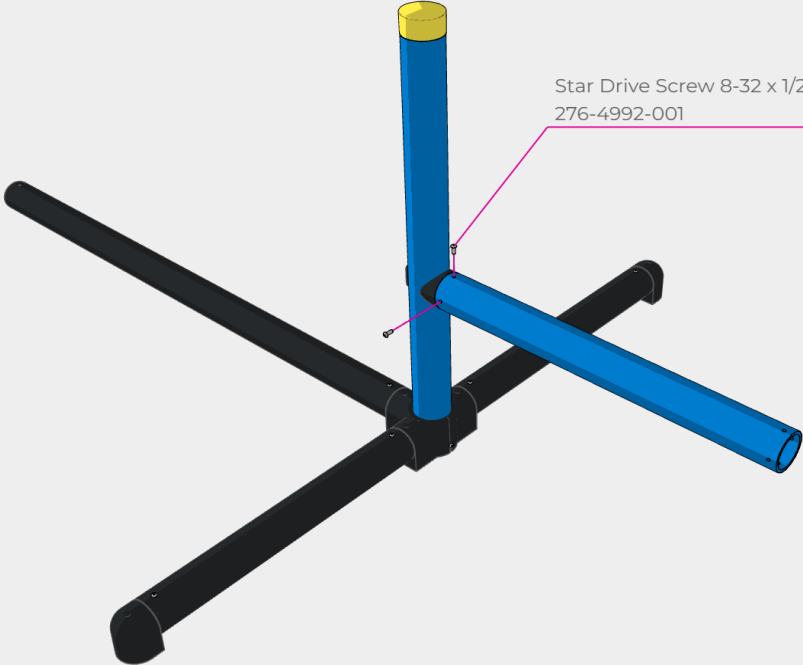
141



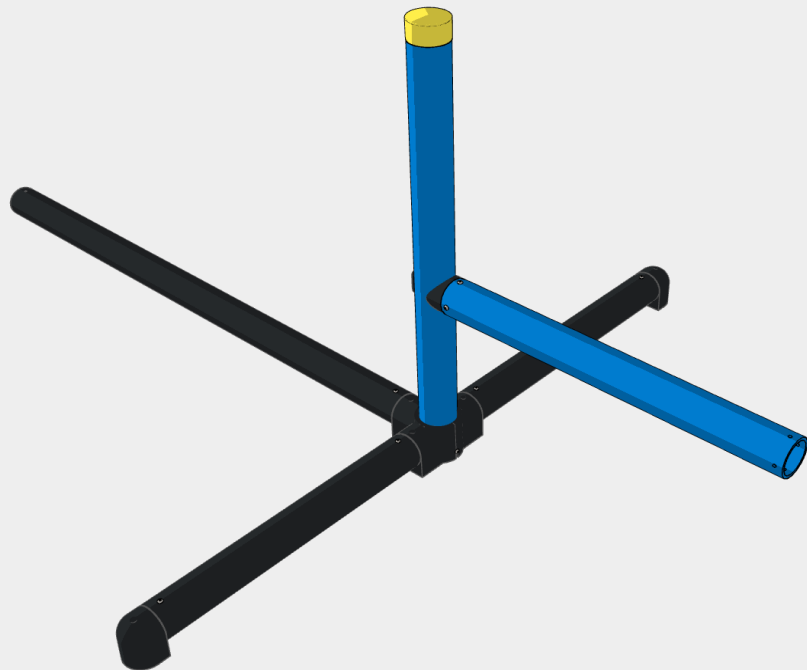
Star Drive Screw 8-32 x 1/2"
276-4992-001

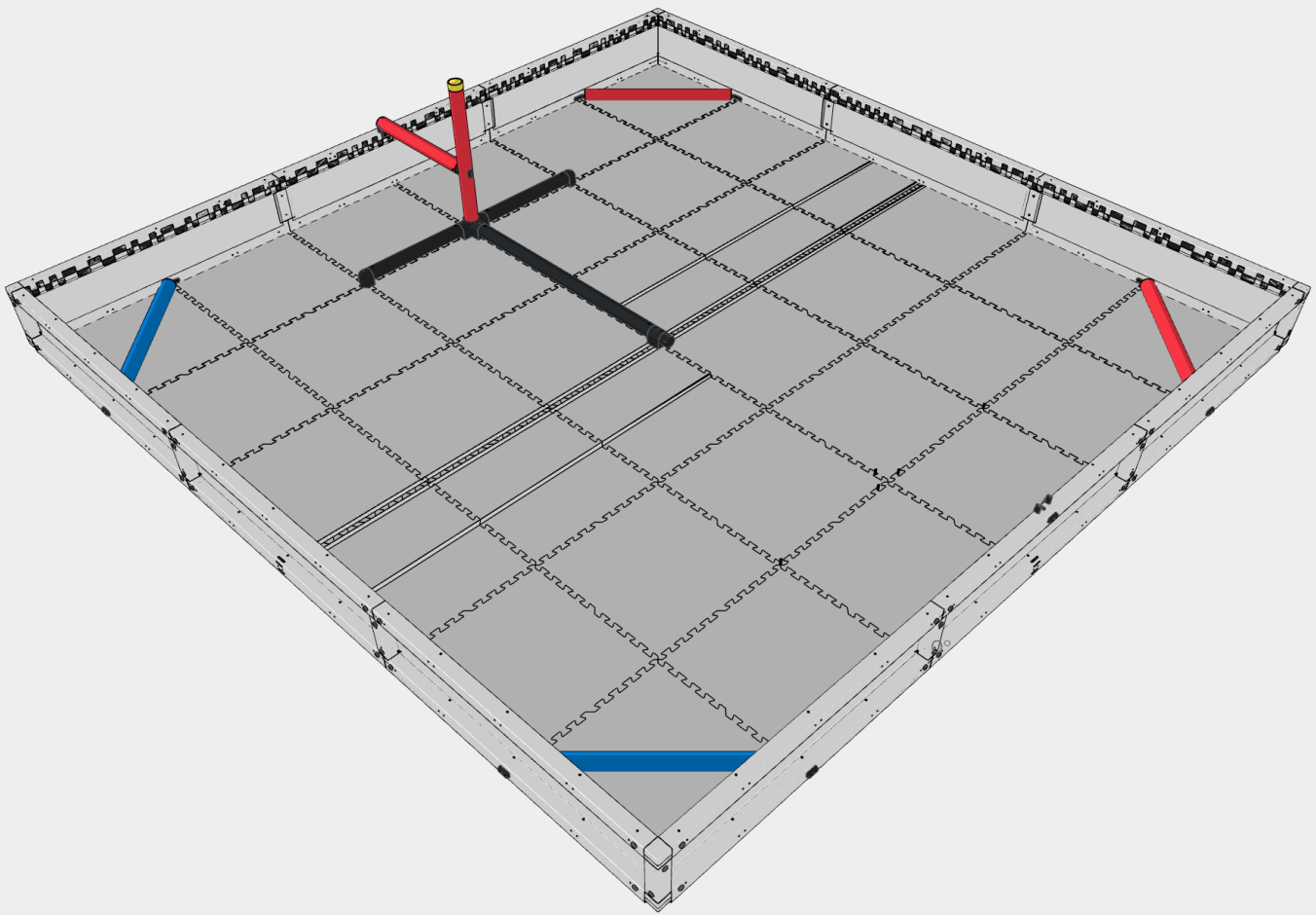
142



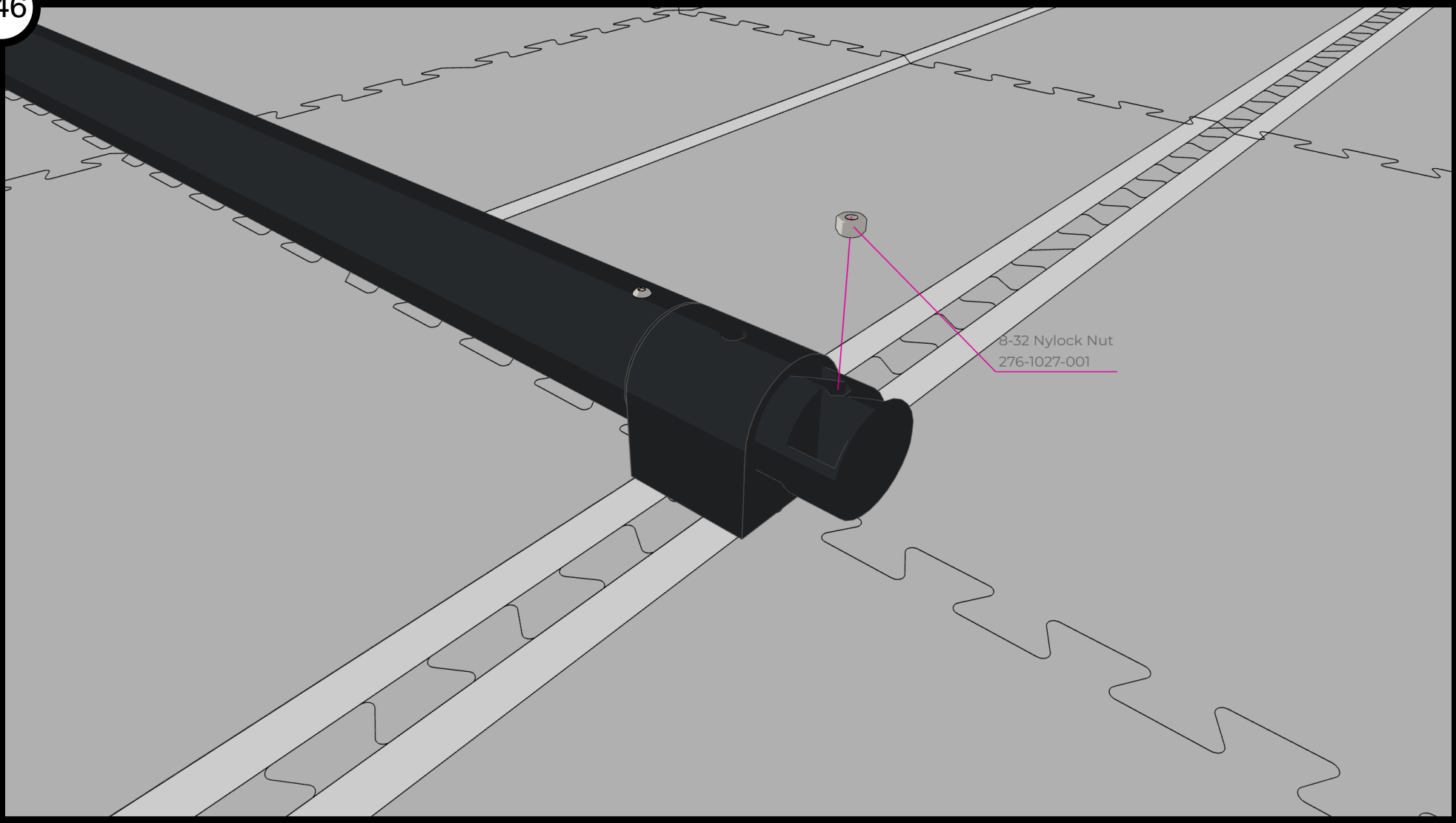


Star Drive Screw 8-32 x 1/2"
276-4992-001



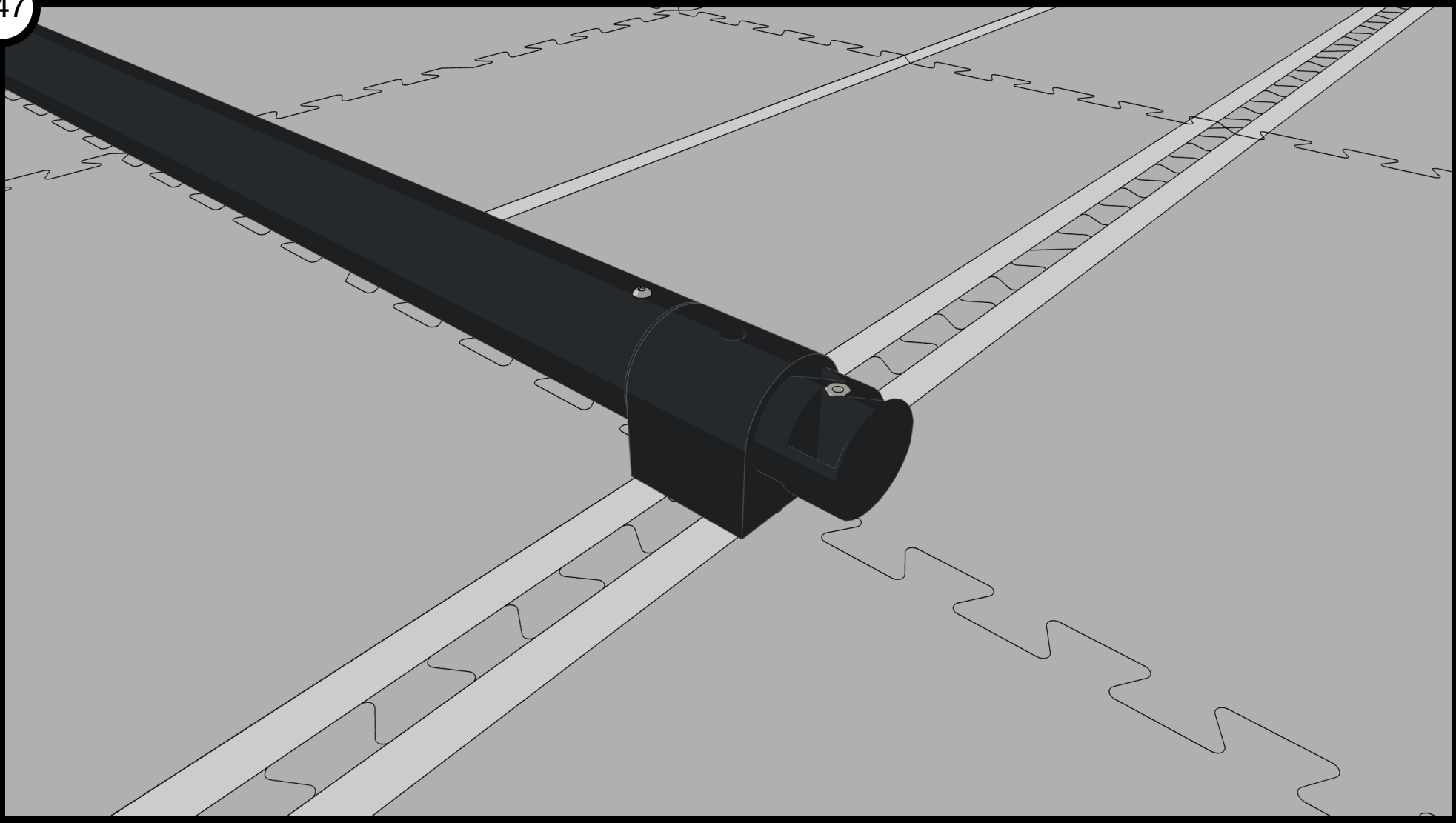


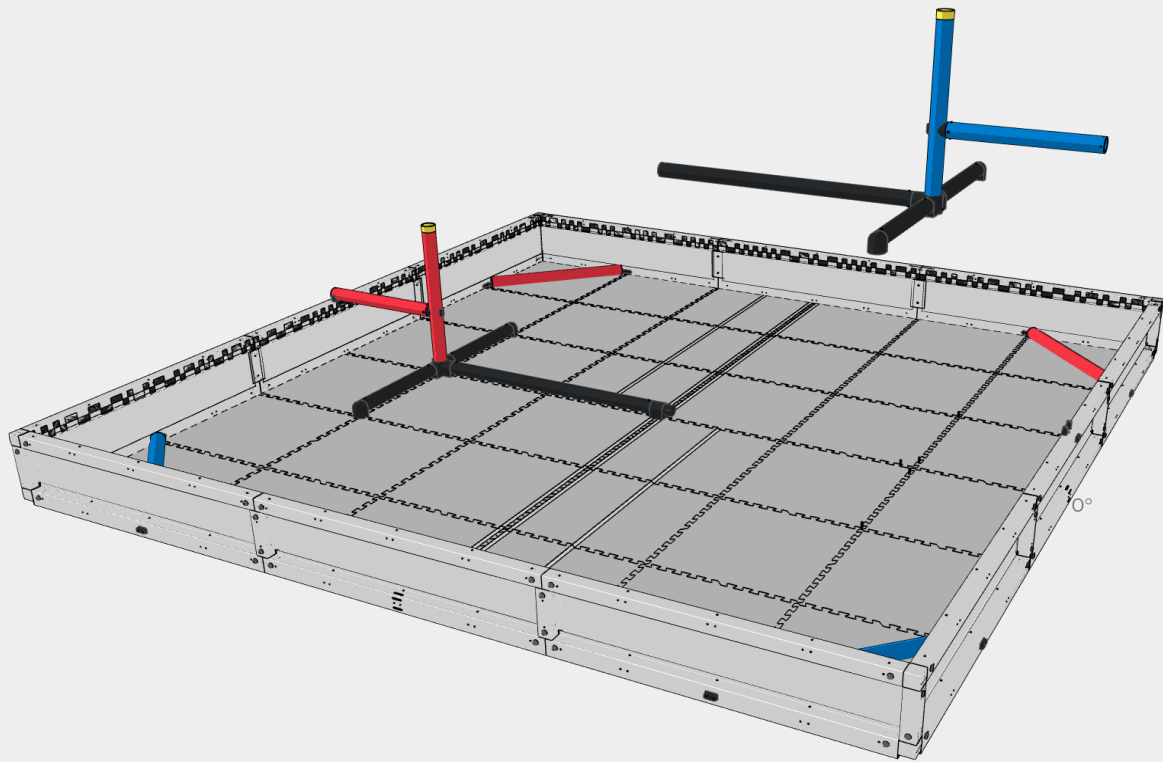
146

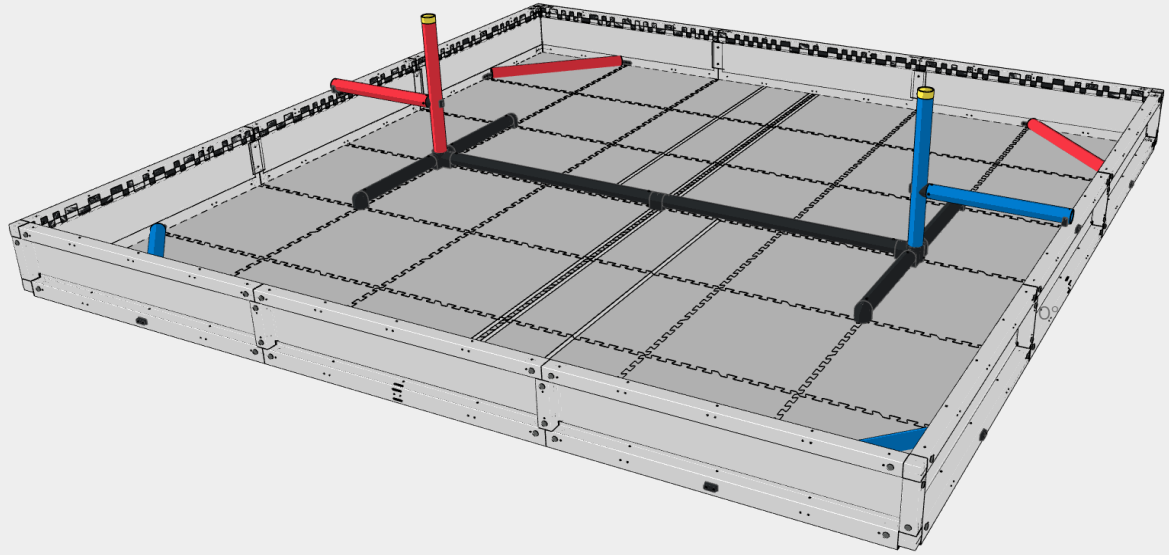


8-32 Nylock Nut
276-1027-001

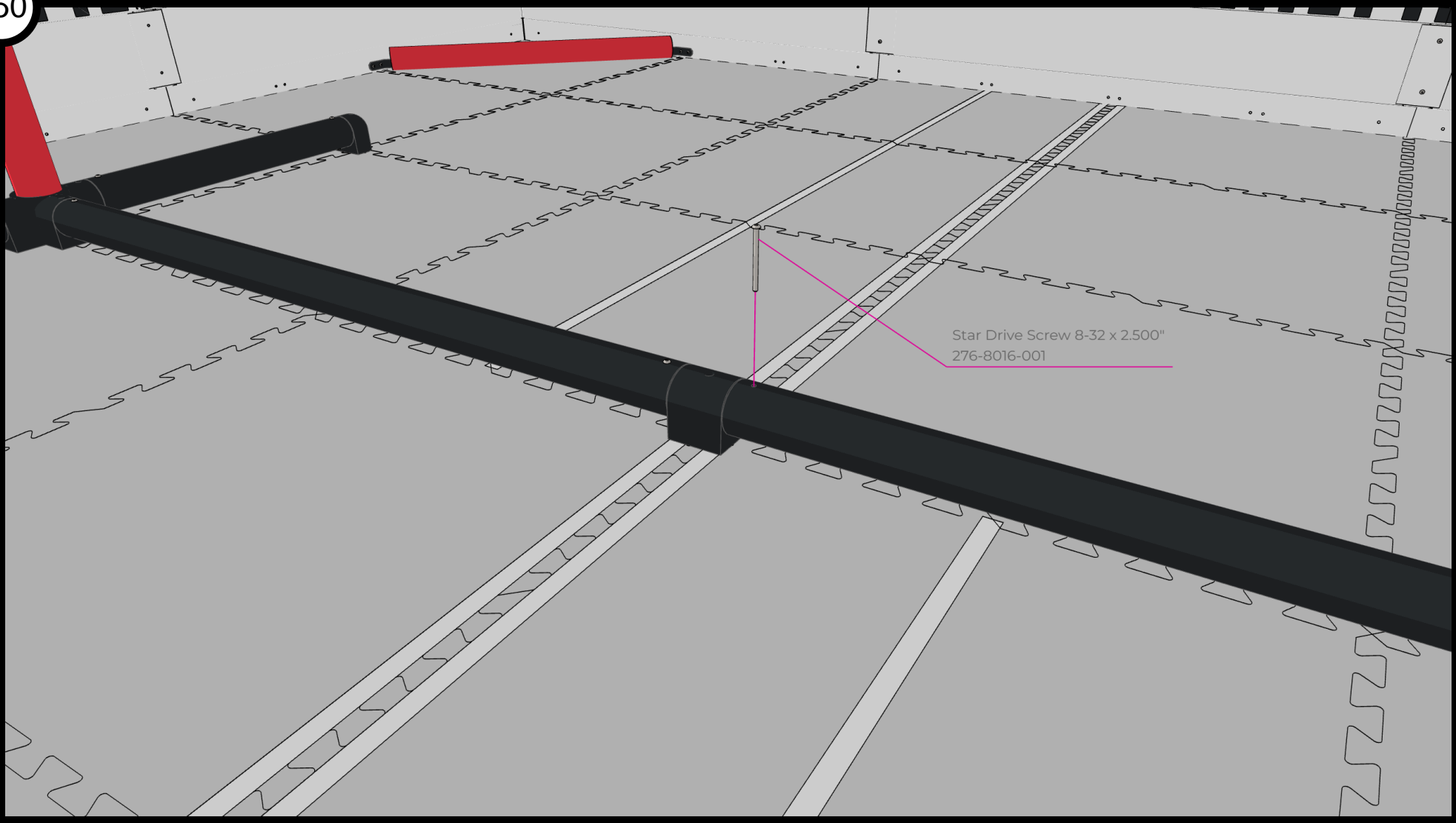
147





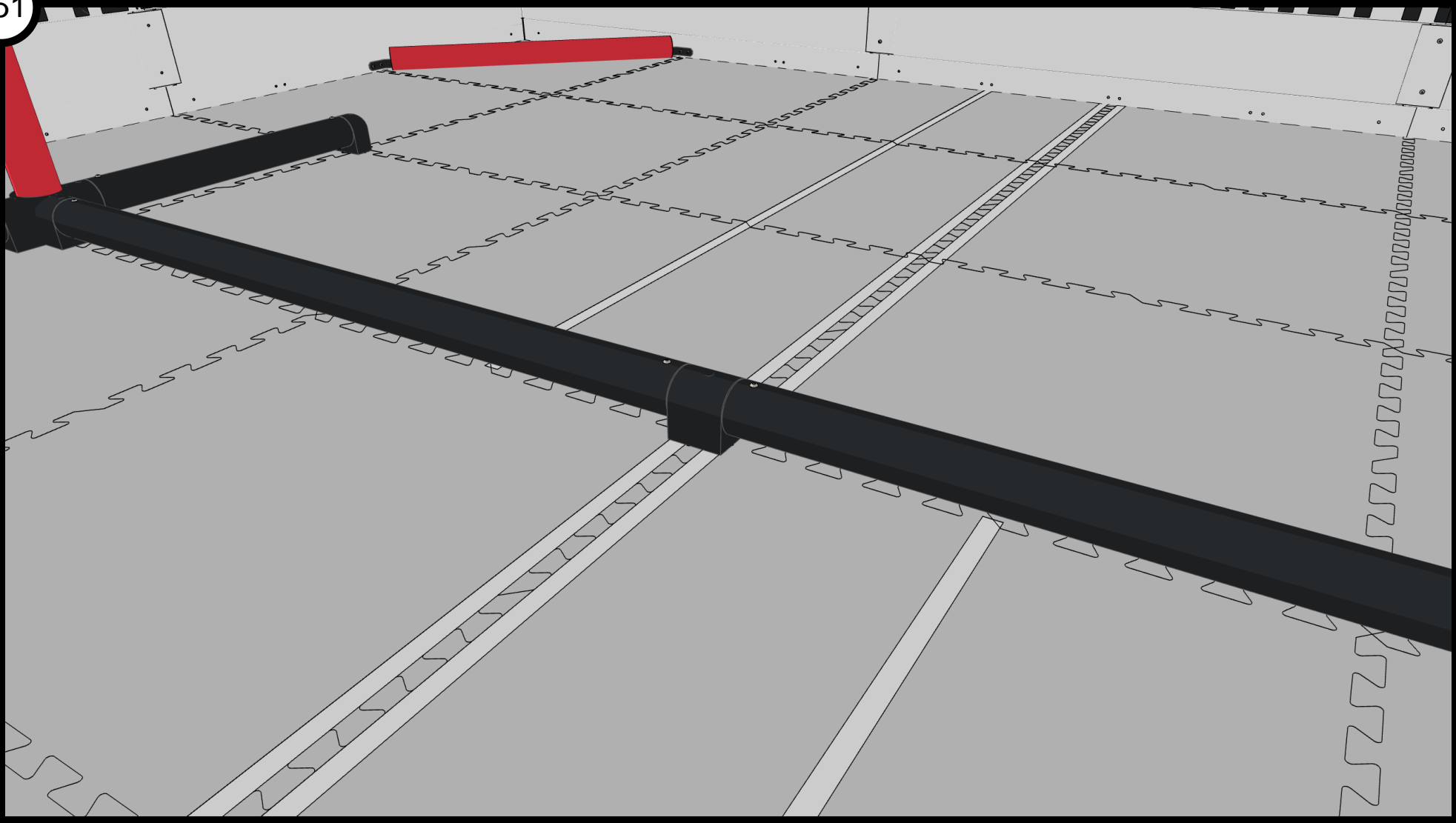


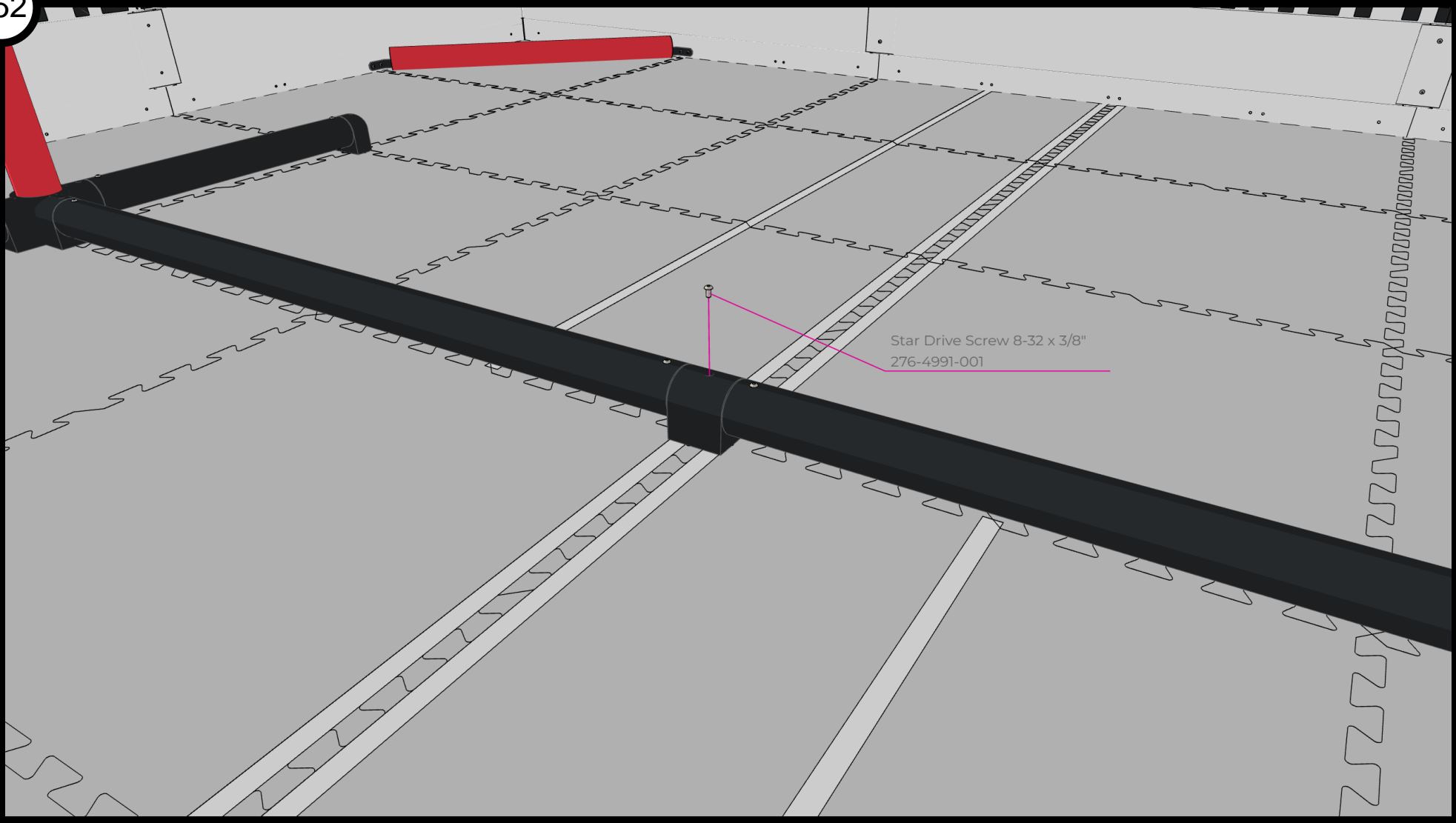
150



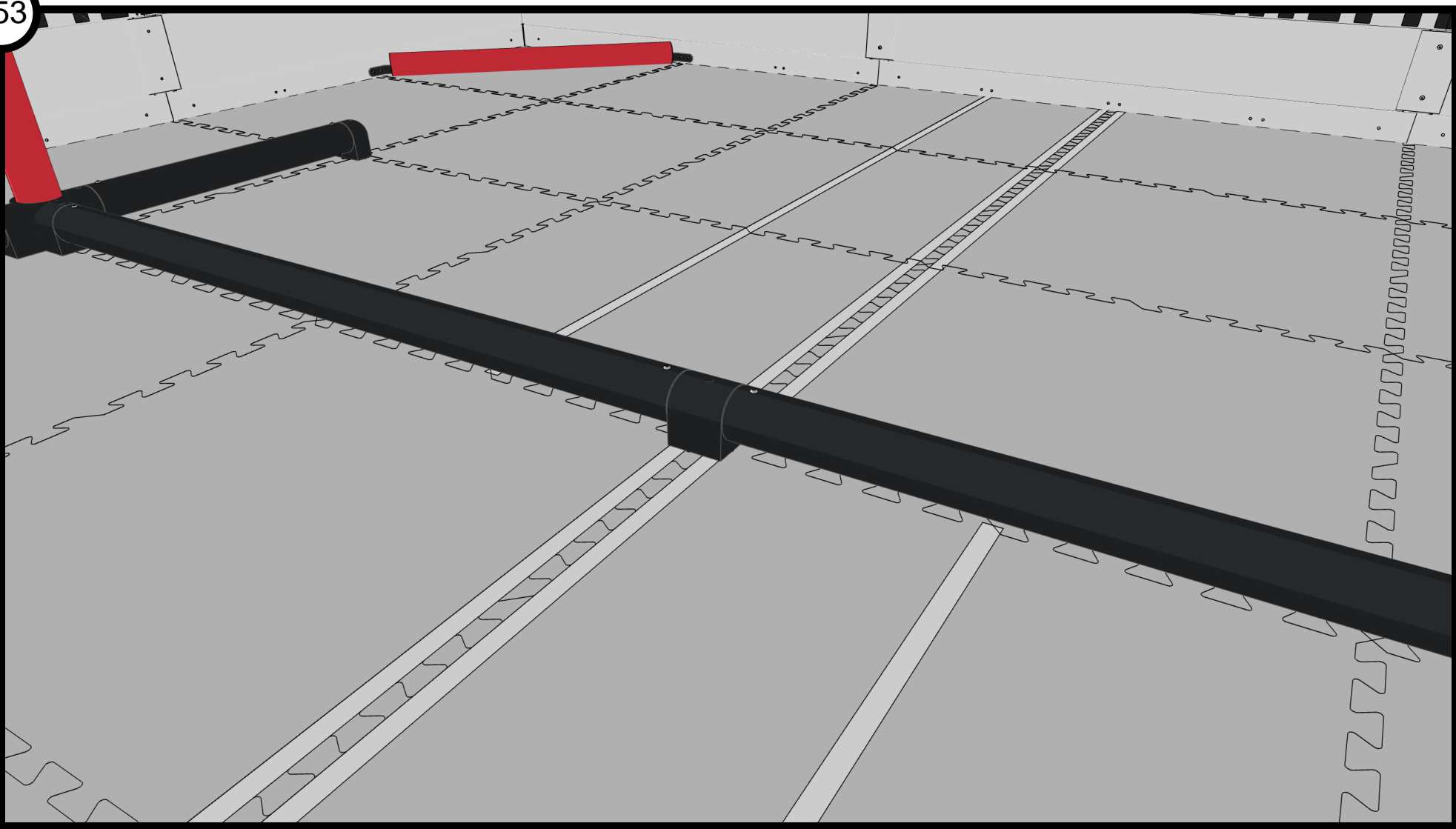
Star Drive Screw 8-32 x 2.500"
276-8016-001

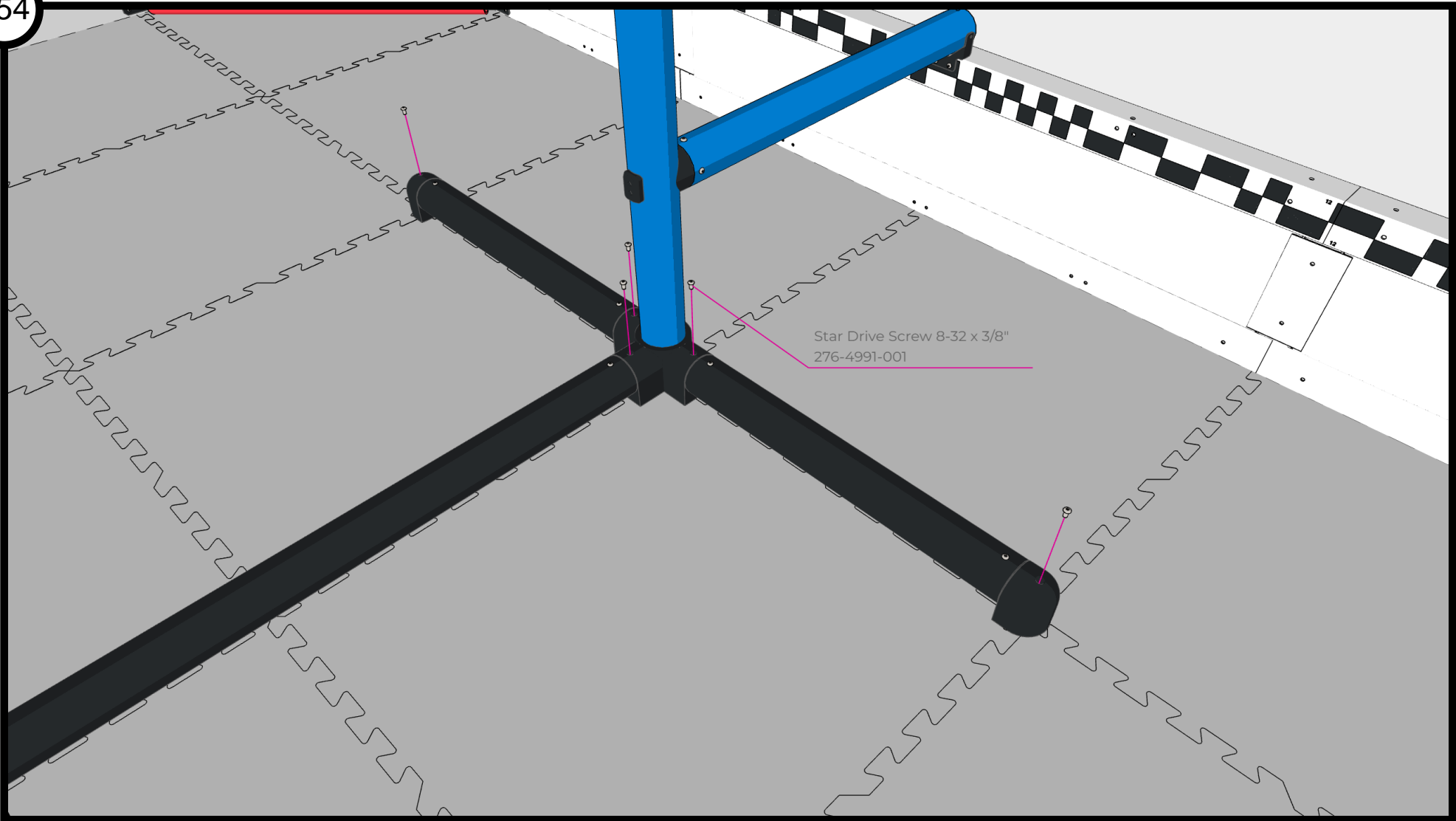
151

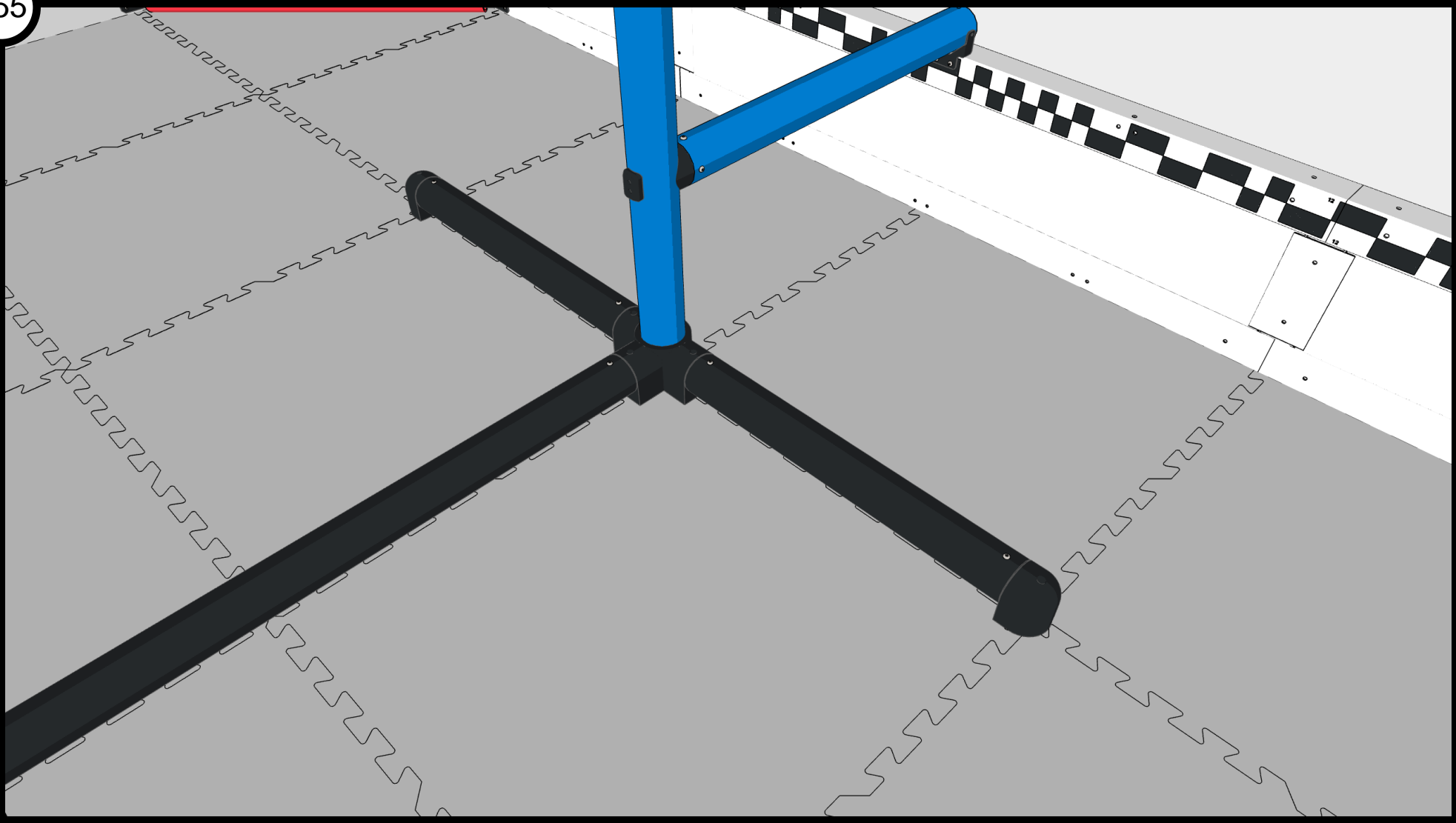


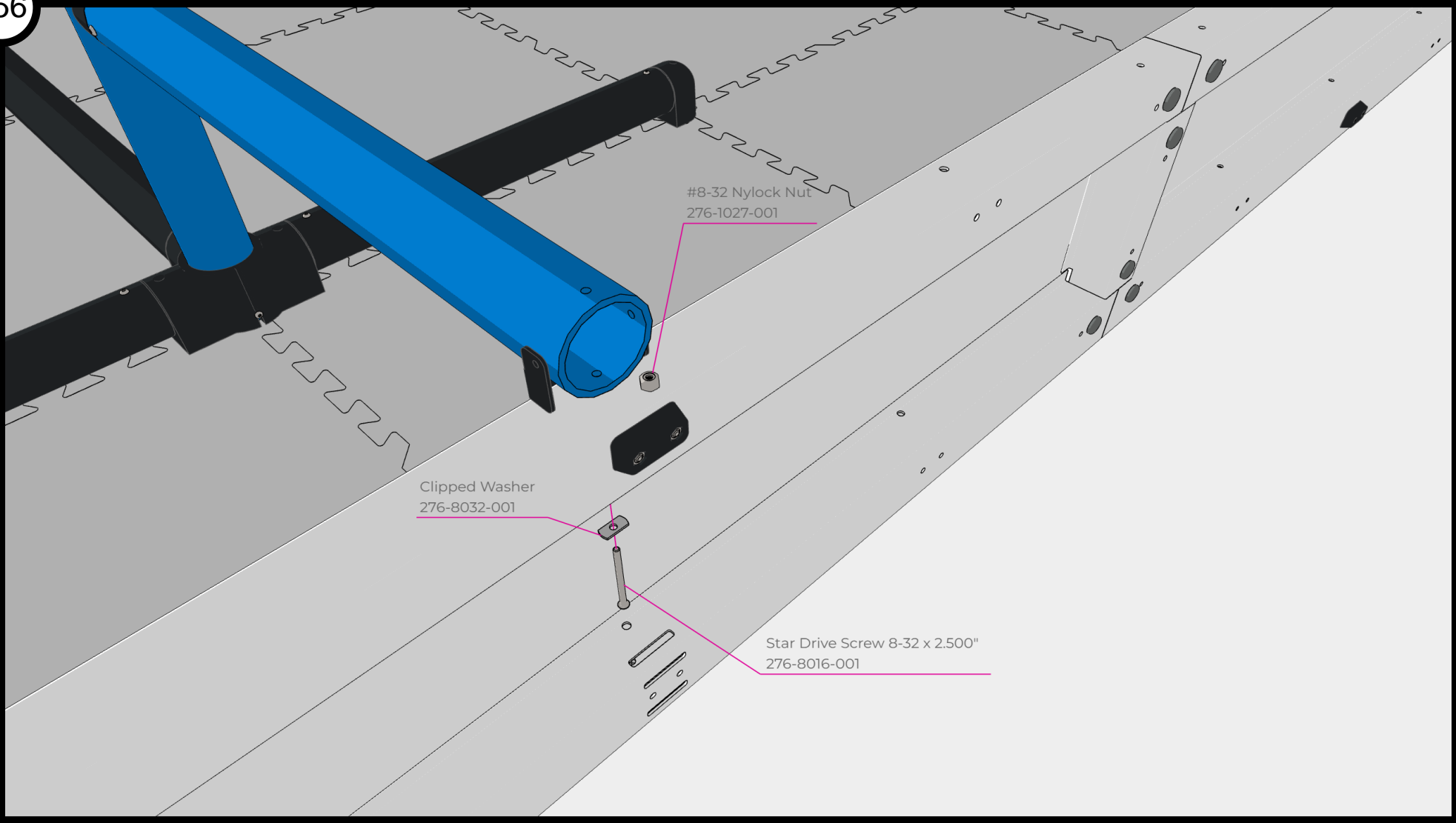


Star Drive Screw 8-32 x 3/8"
276-4991-001







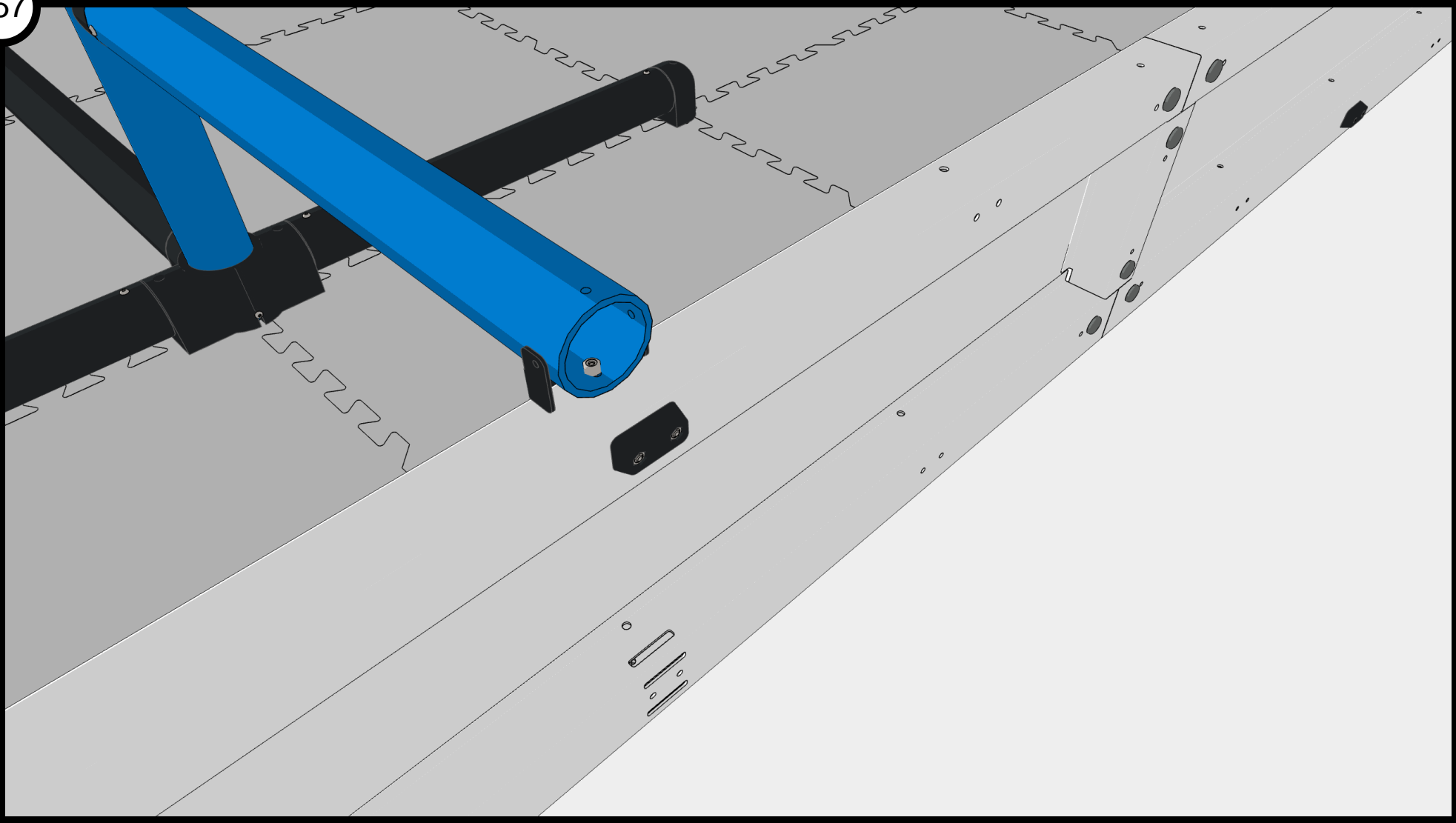


#8-32 Nylock Nut
276-1027-001

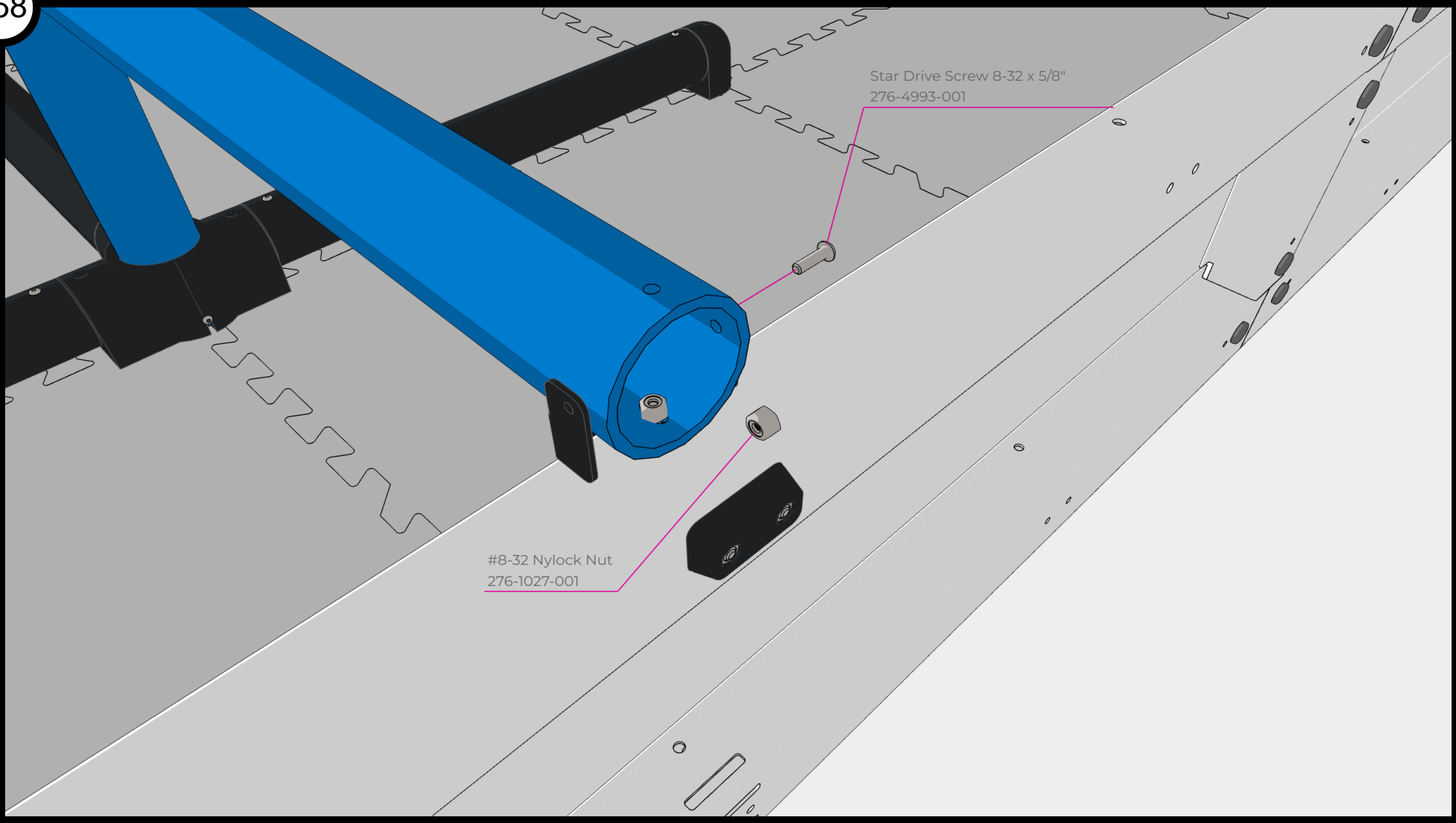
Clipped Washer
276-8032-001

Star Drive Screw 8-32 x 2.500"
276-8016-001

157

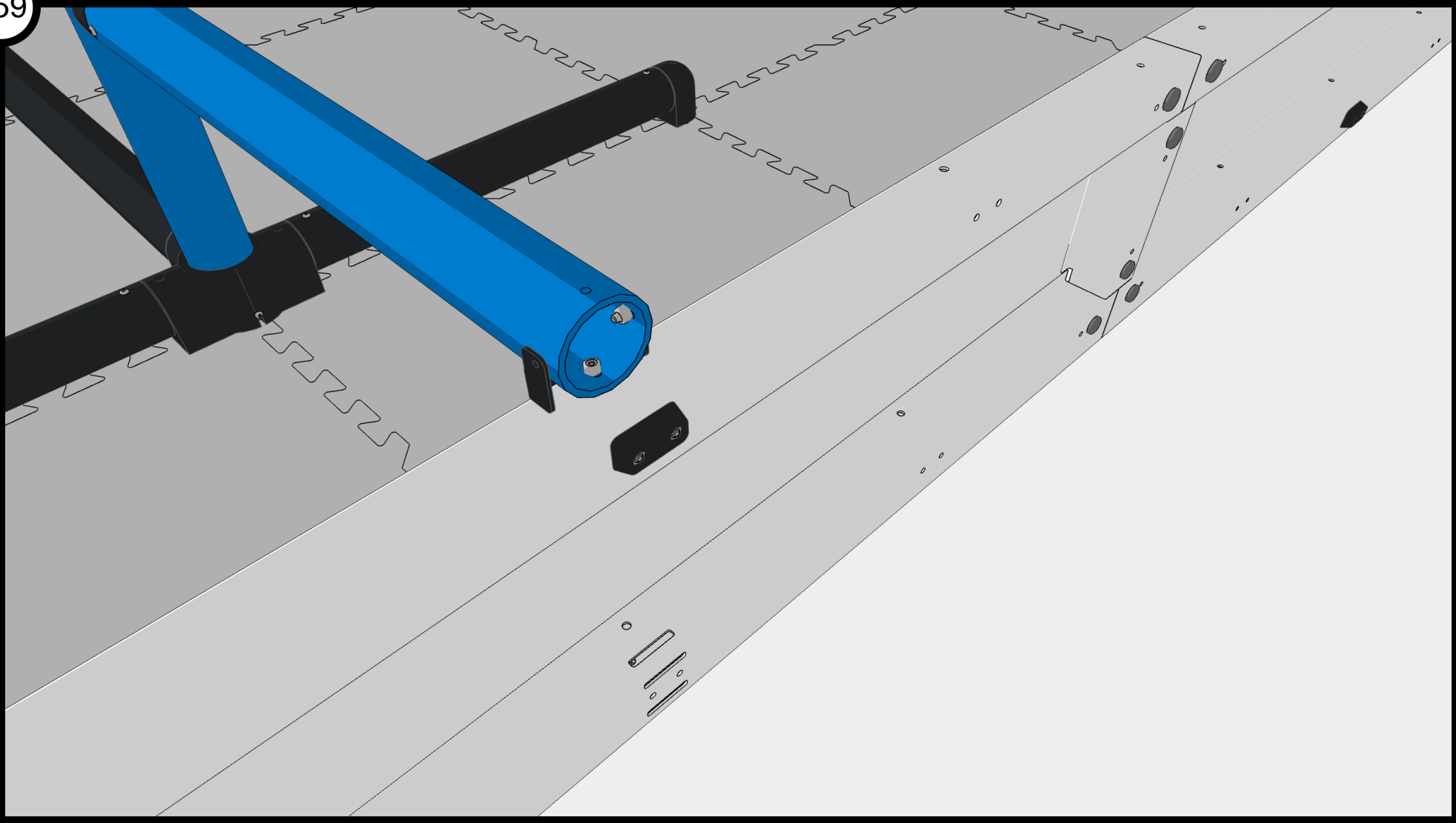


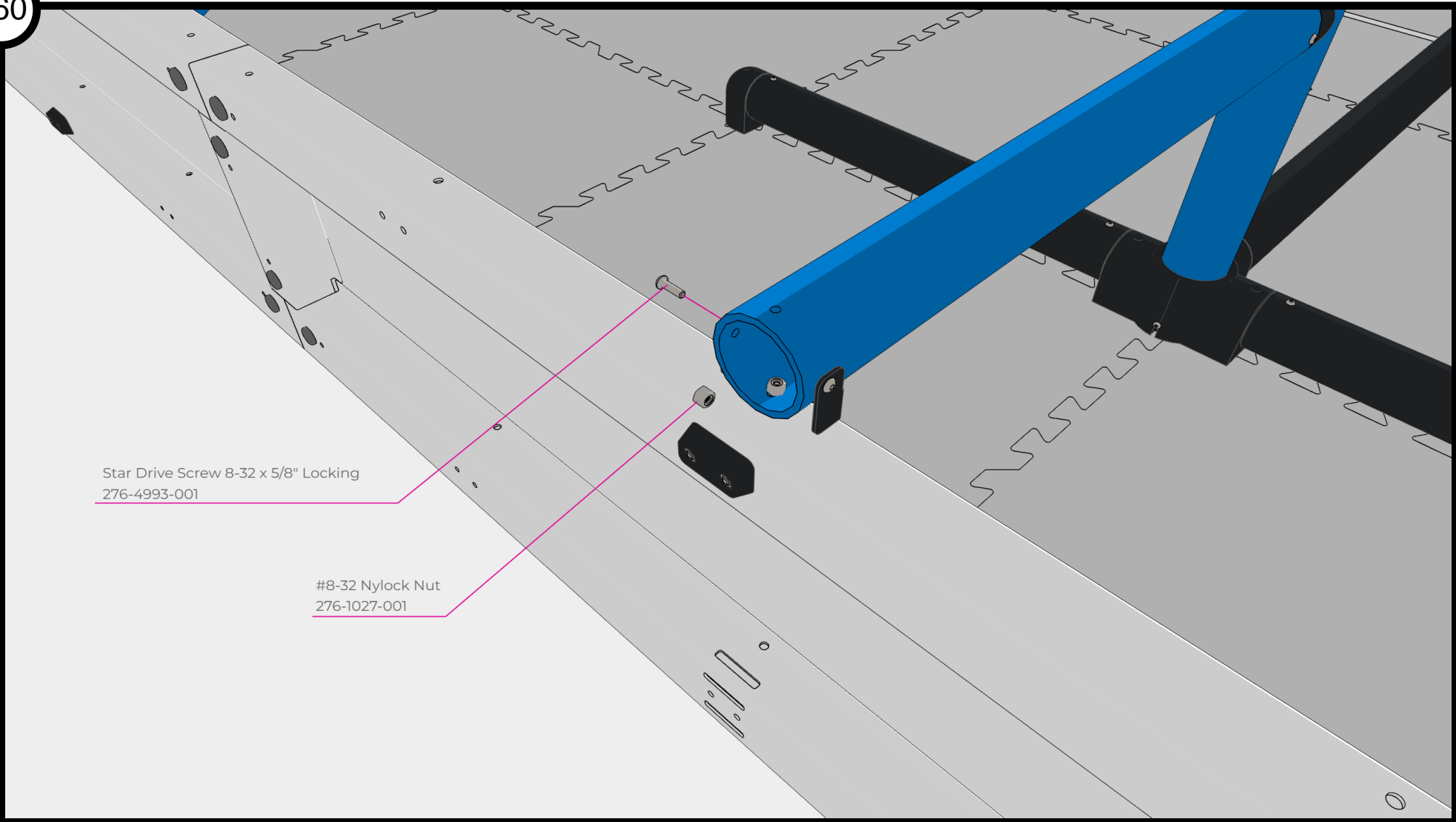
158



Star Drive Screw 8-32 x 5/8"
276-4993-001

#8-32 Nylock Nut
276-1027-001

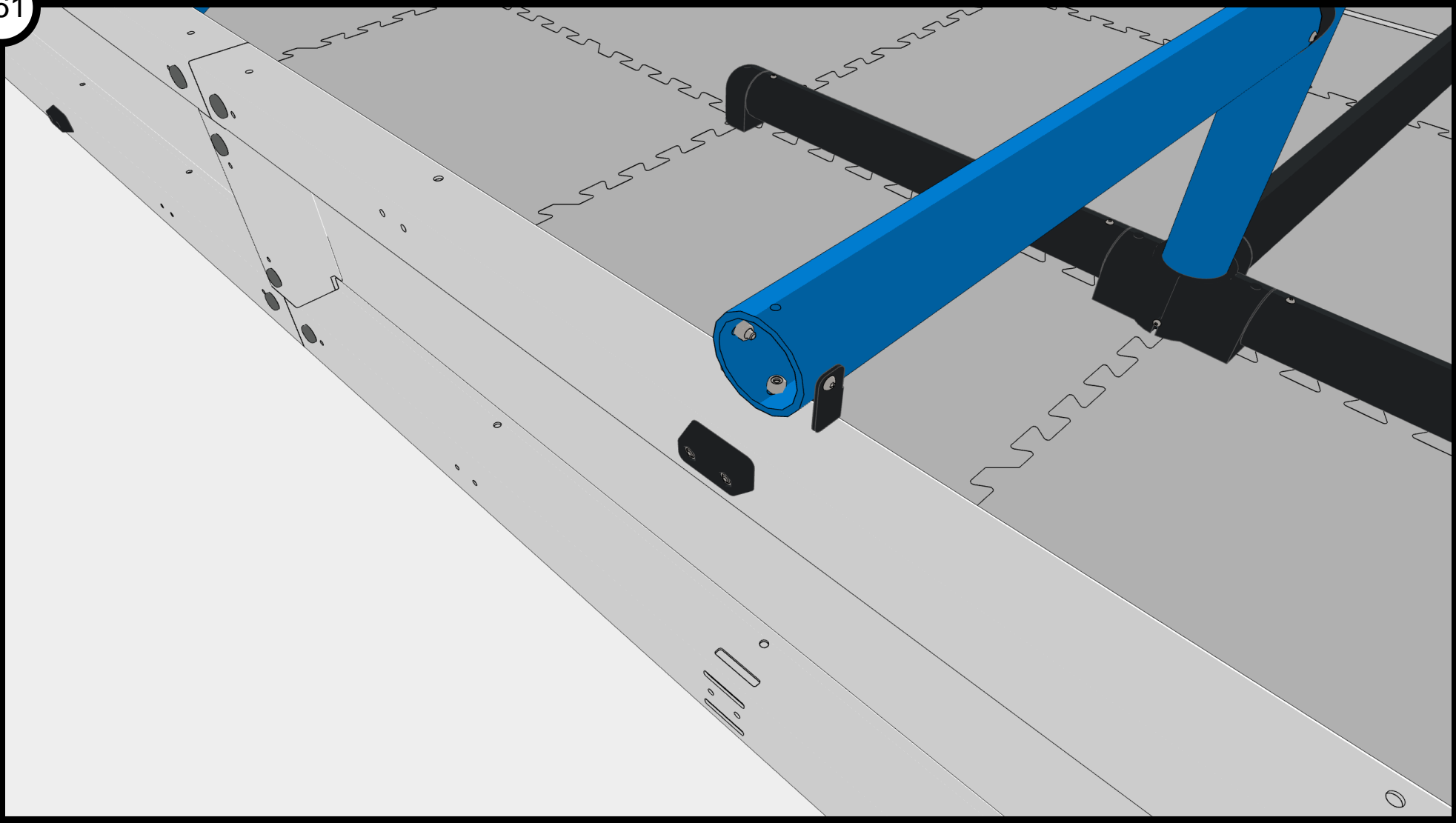


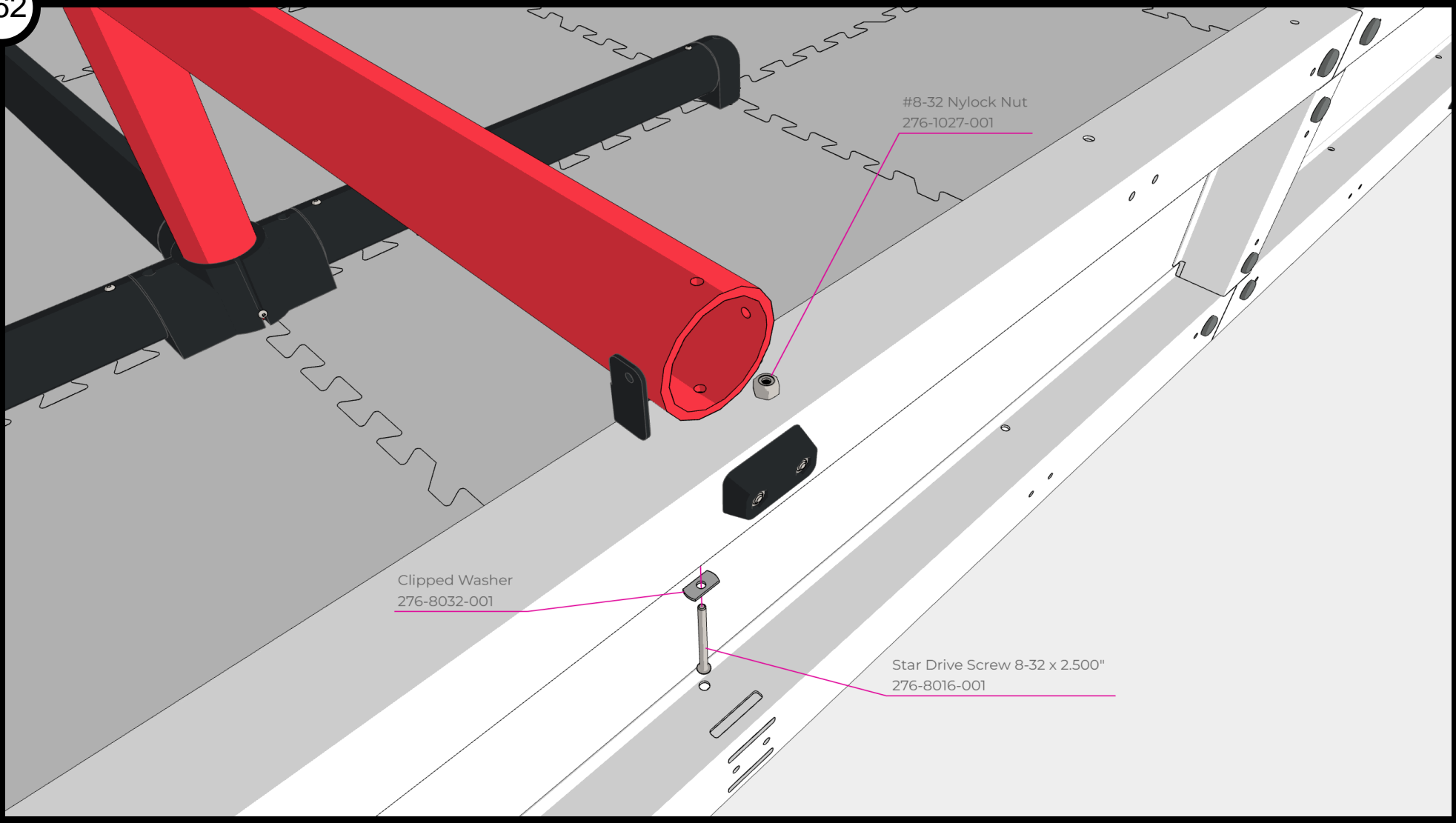


Star Drive Screw 8-32 x 5/8" Locking
276-4993-001

#8-32 Nylock Nut
276-1027-001

161



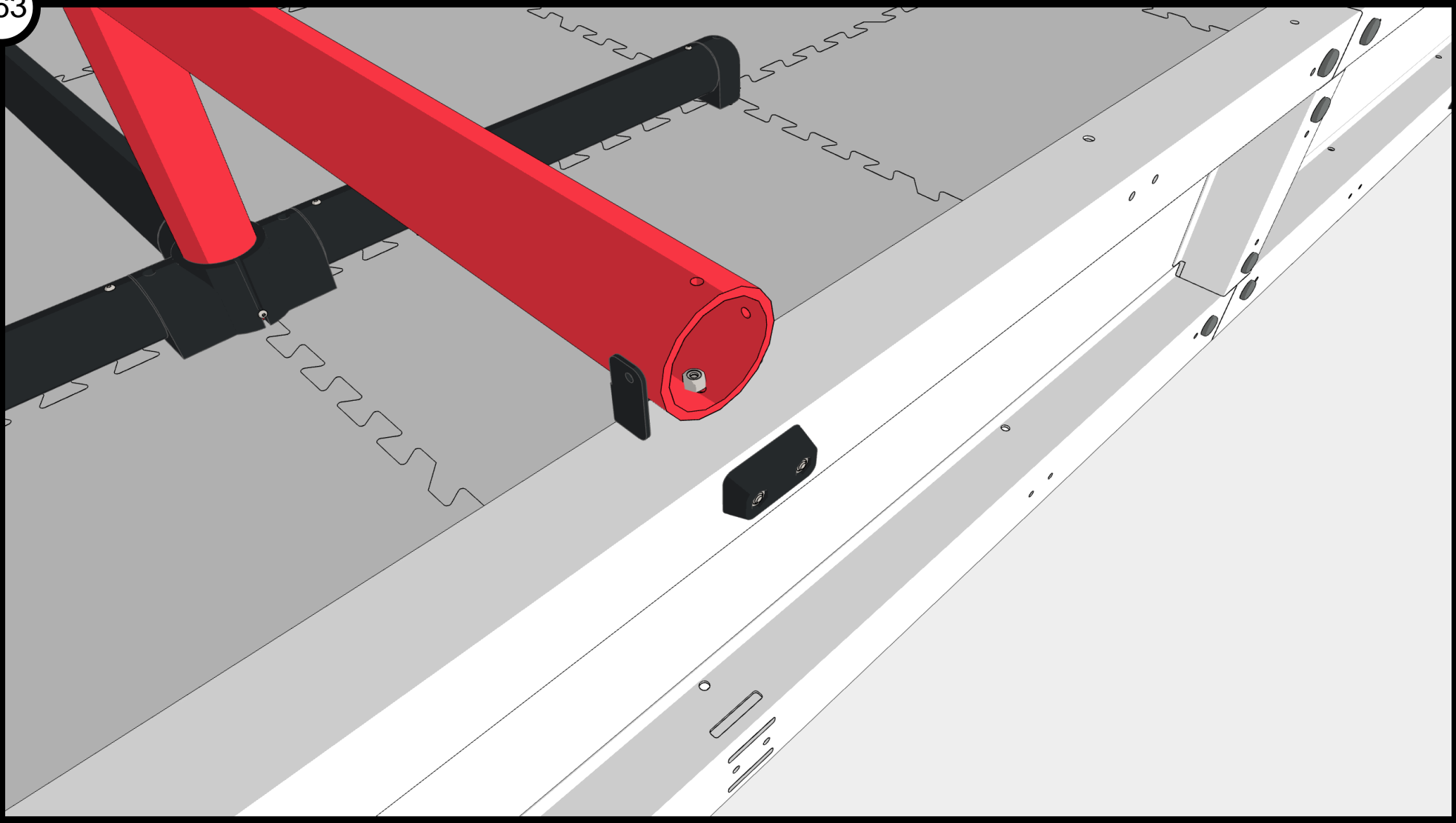


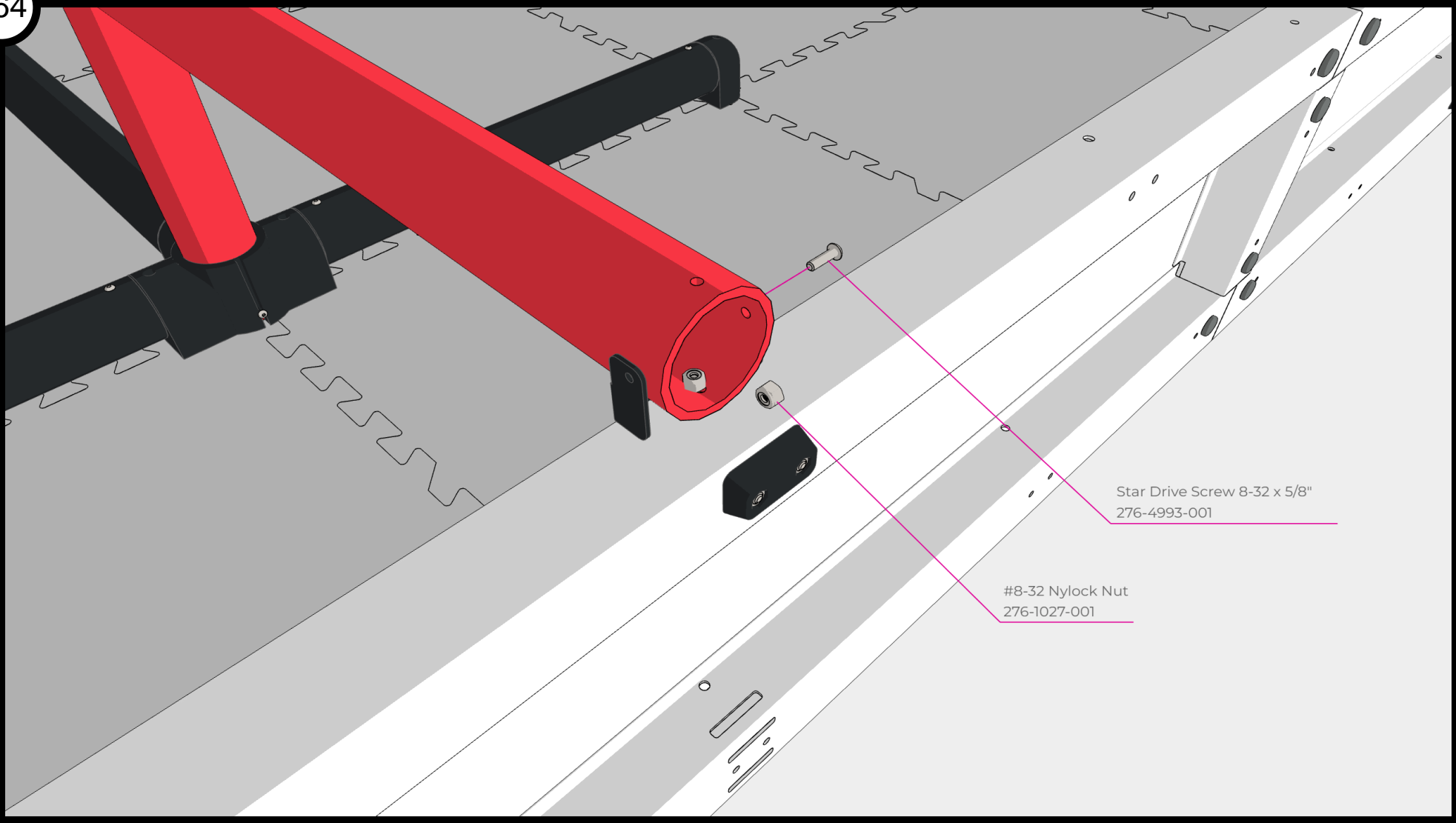
#8-32 Nylock Nut
276-1027-001

Clipped Washer
276-8032-001

Star Drive Screw 8-32 x 2.500"
276-8016-001

163

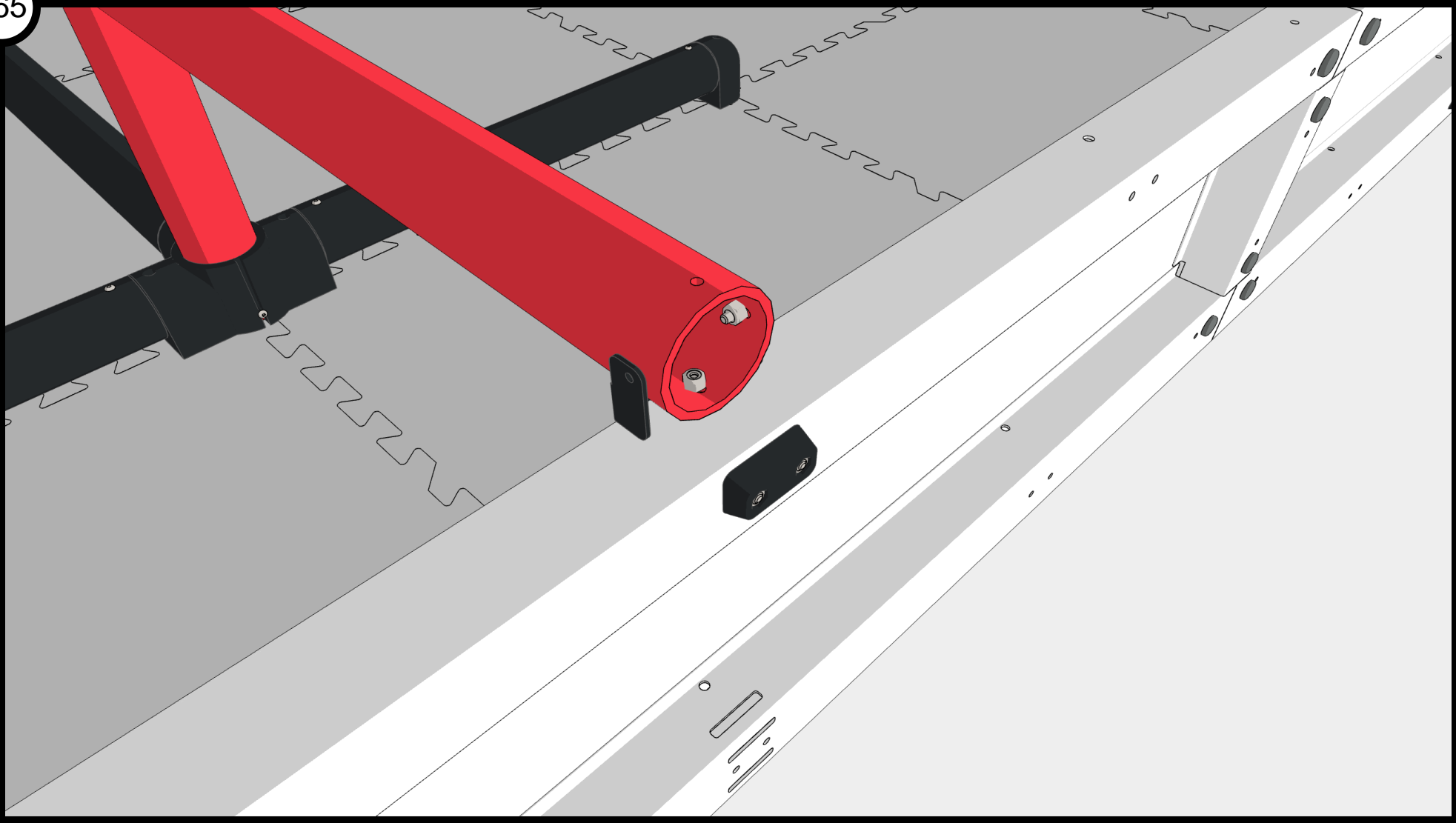


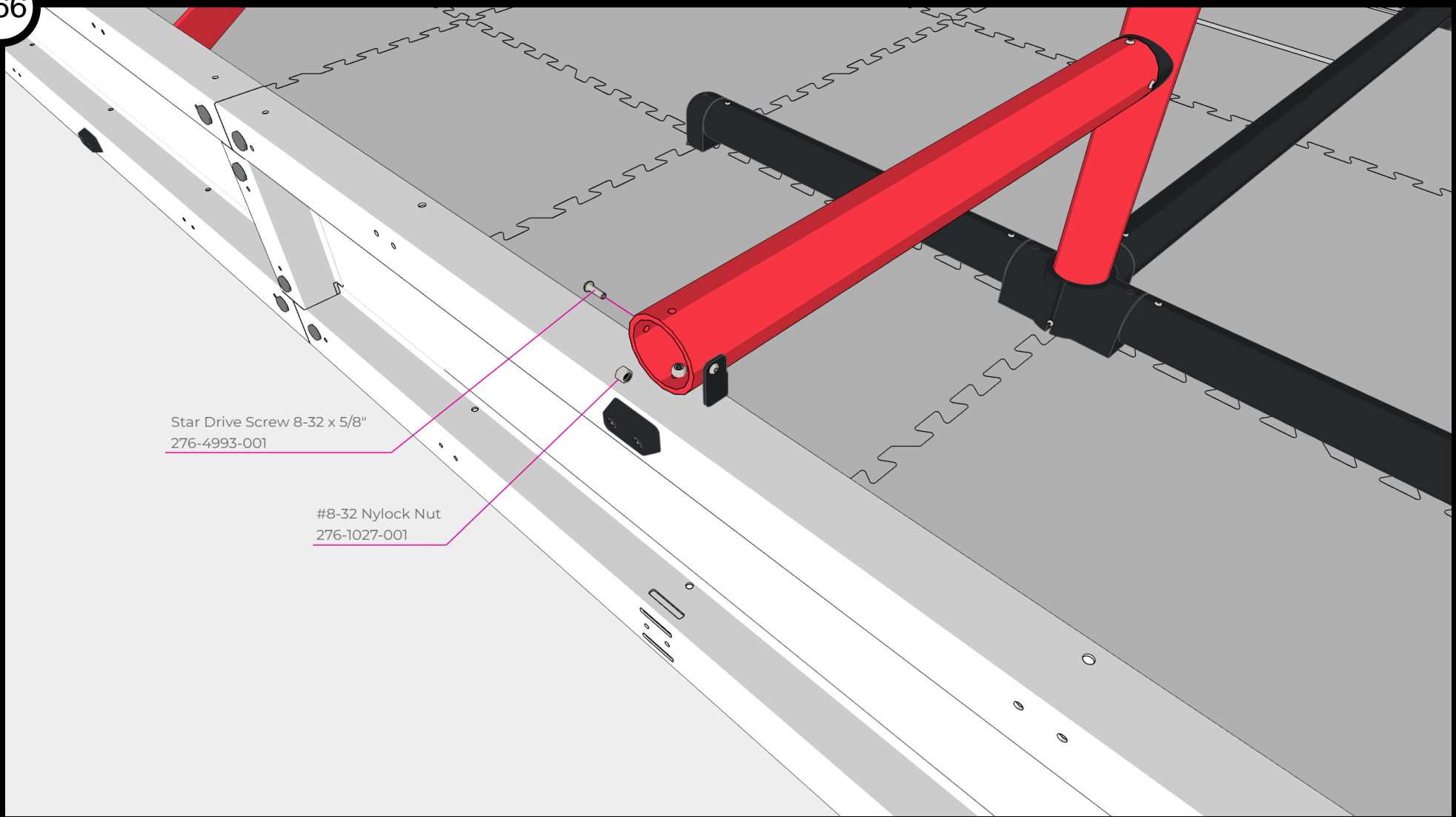


Star Drive Screw 8-32 x 5/8"
276-4993-001

#8-32 Nylock Nut
276-1027-001

165

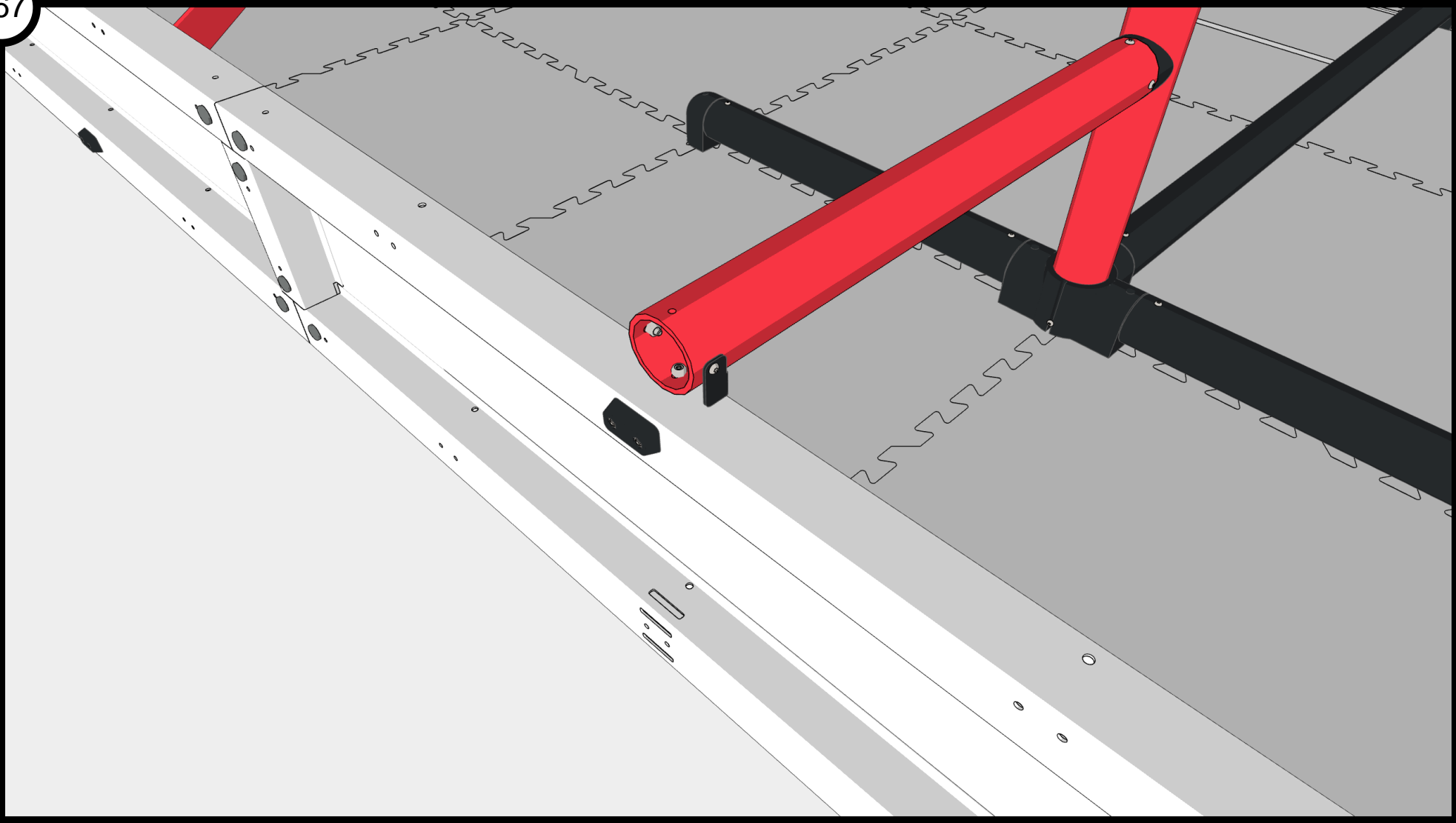


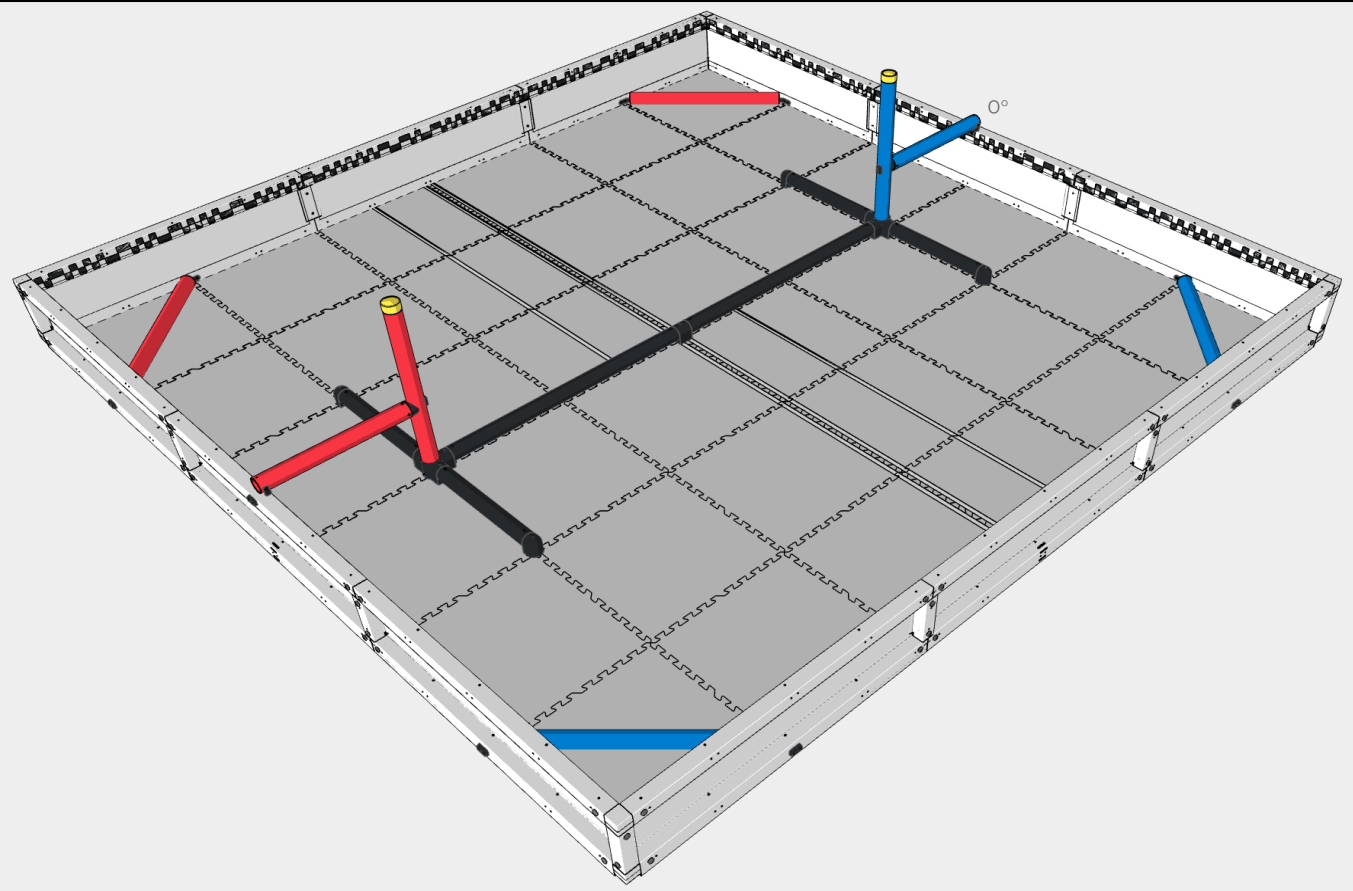


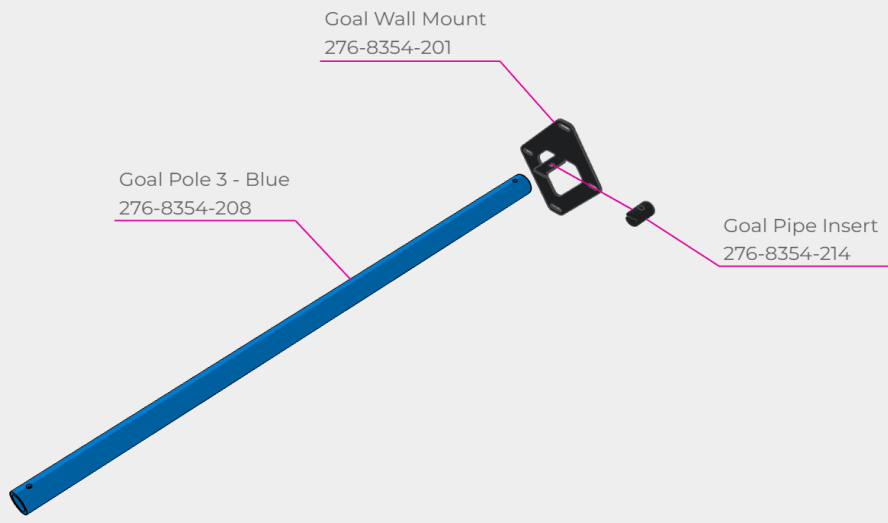
Star Drive Screw 8-32 x 5/8"
276-4993-001

#8-32 Nylock Nut
276-1027-001

167



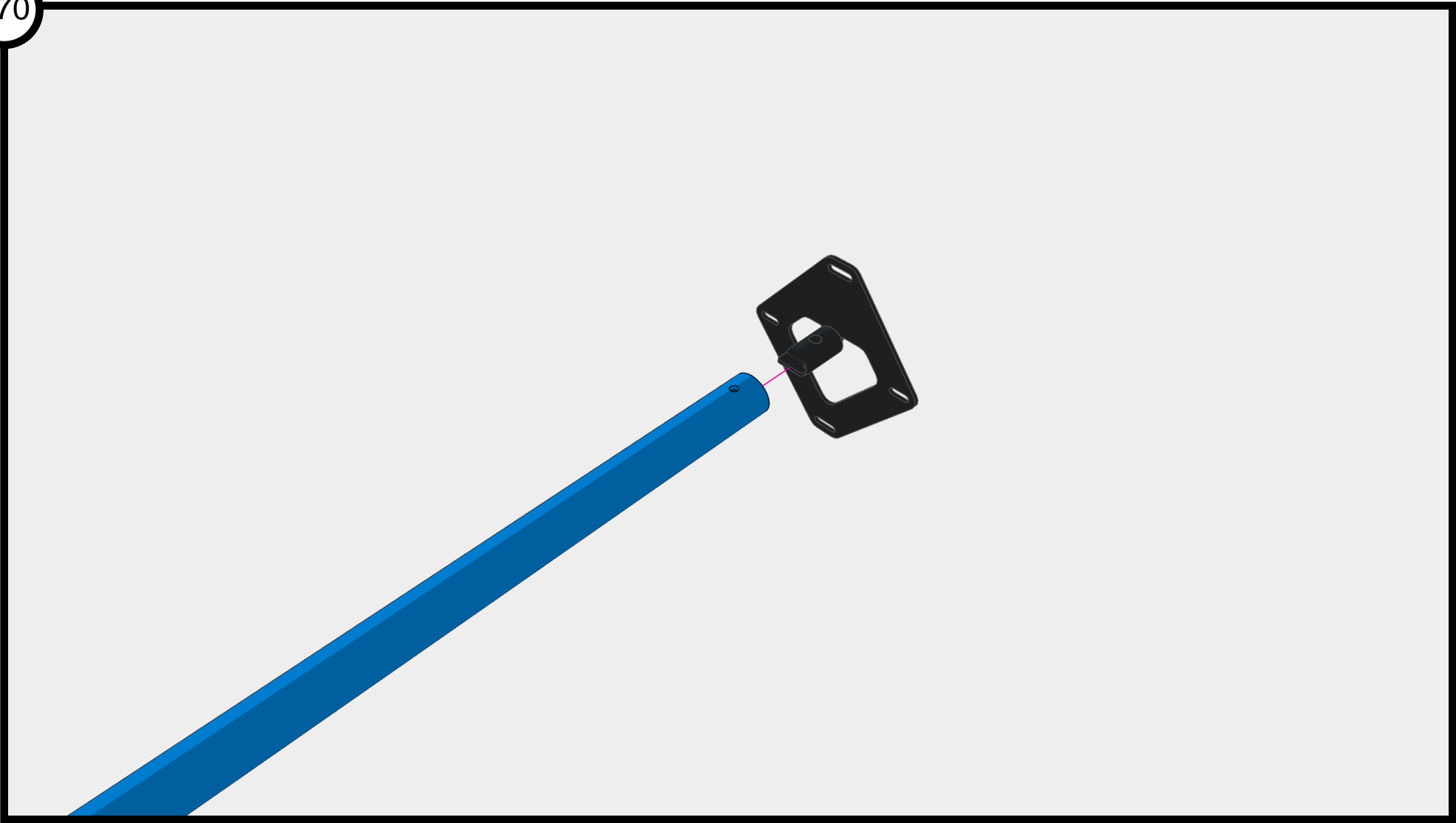


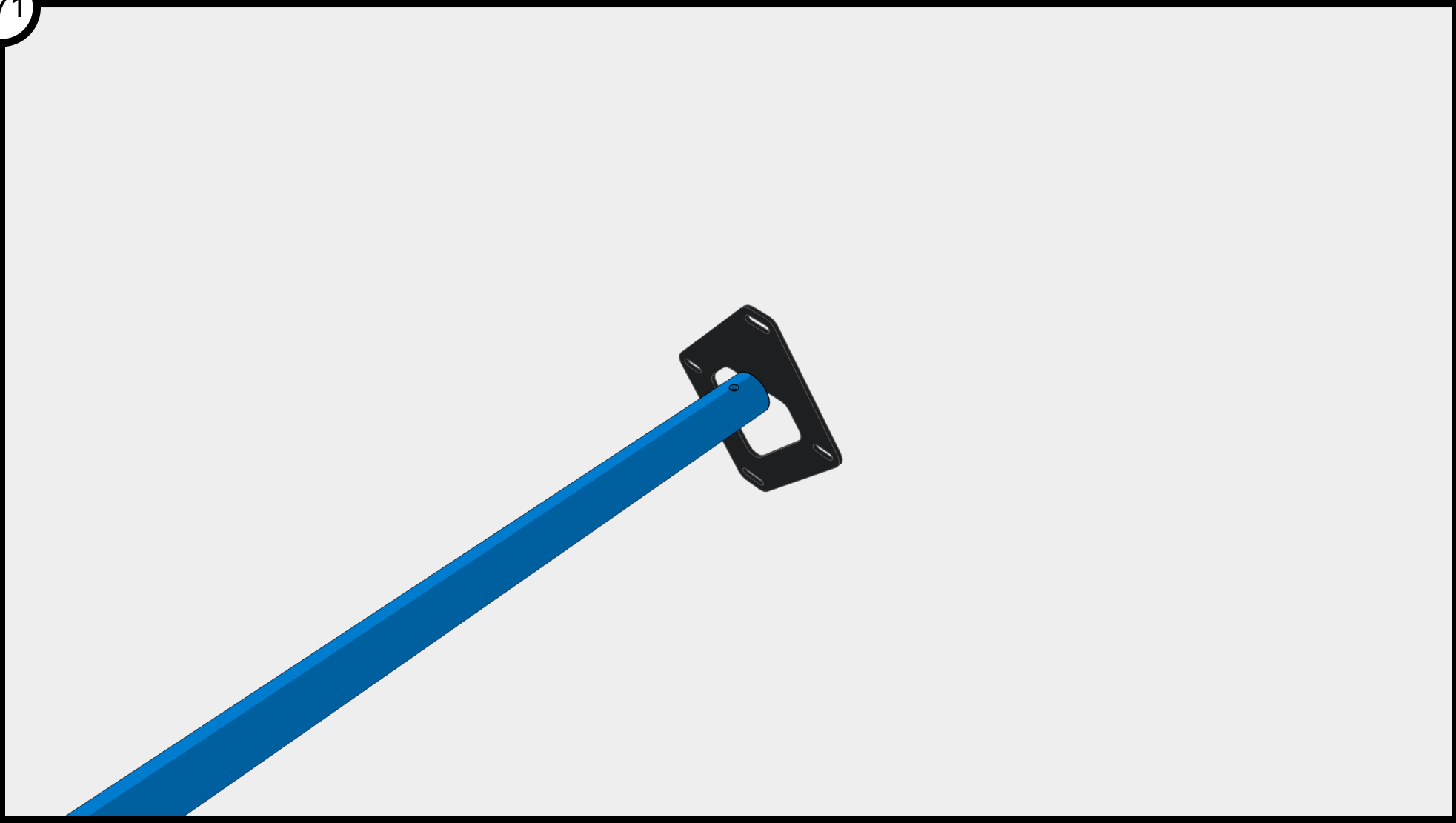


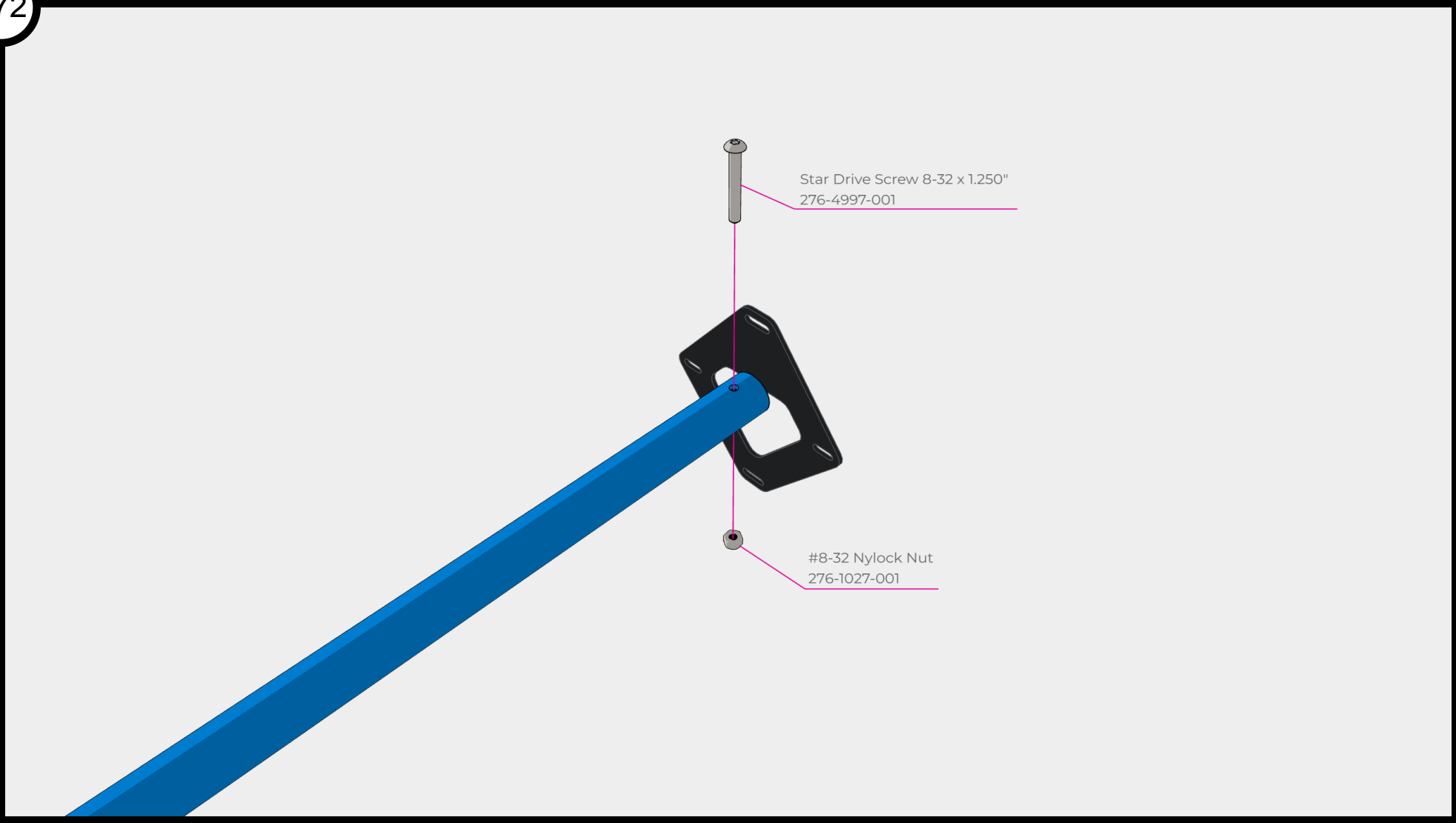
Goal Wall Mount
276-8354-201

Goal Pole 3 - Blue
276-8354-208

Goal Pipe Insert
276-8354-214

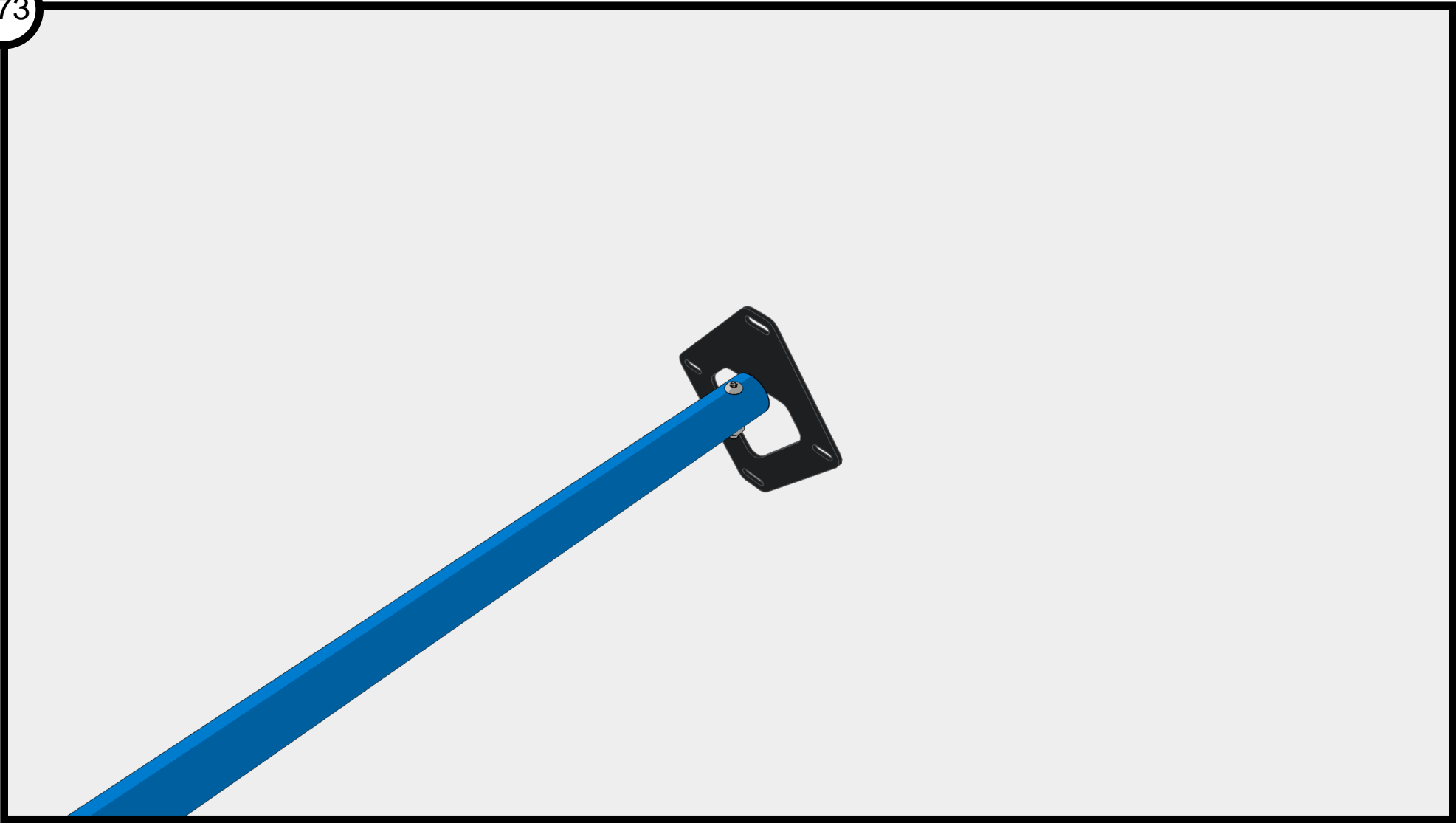


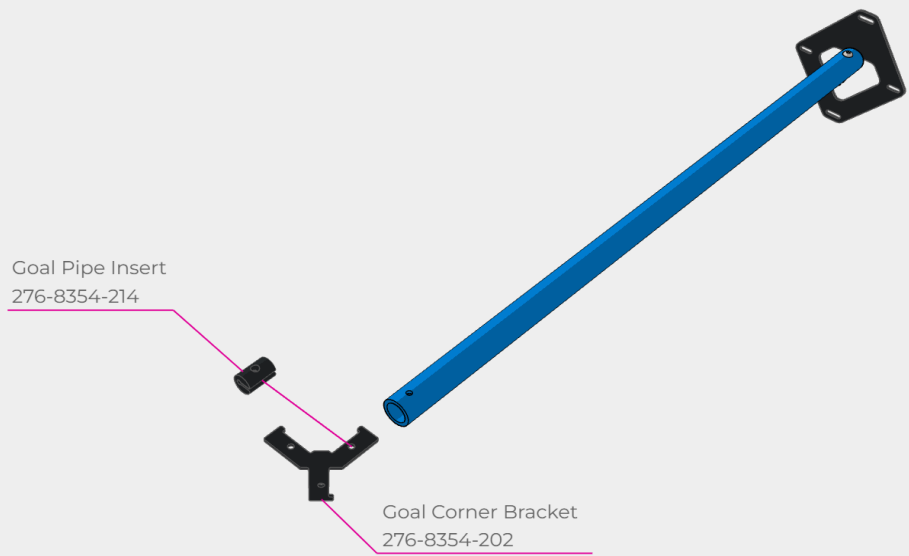




Star Drive Screw 8-32 x 1.250"
276-4997-001

#8-32 Nylock Nut
276-1027-001





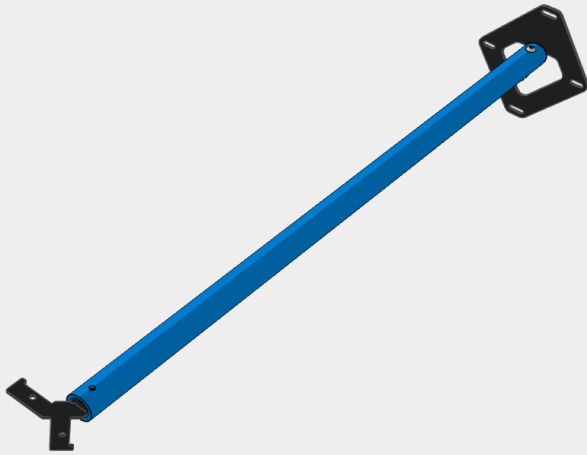
Goal Pipe Insert
276-8354-214

Goal Corner Bracket
276-8354-202

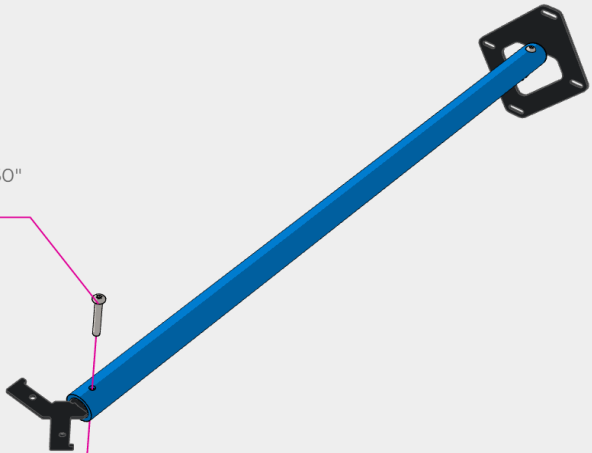
175



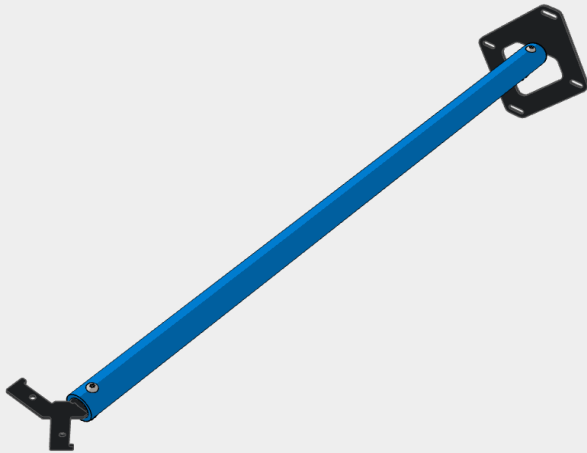
176

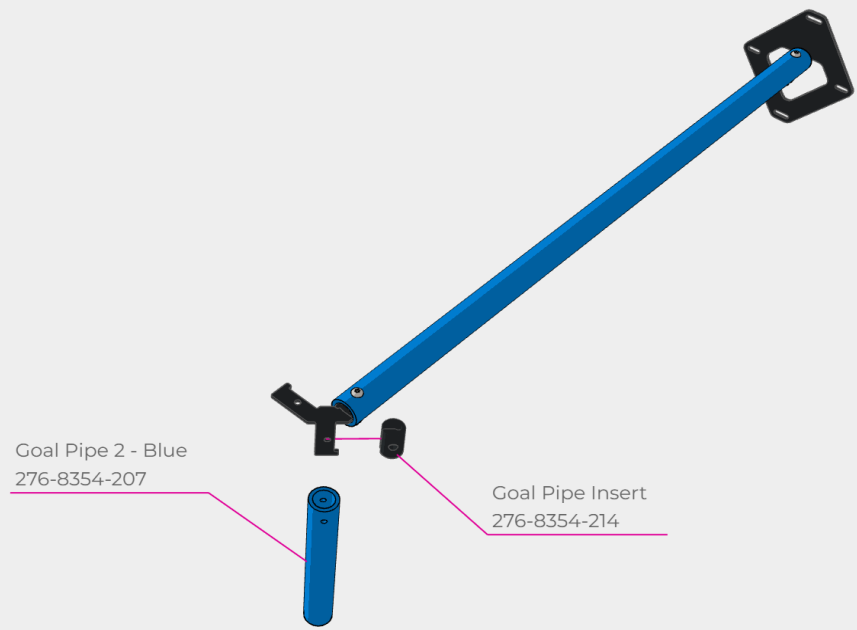


Star Drive Screw 8-32 x 1.250"
276-4997-001



#8-32 Nylock Nut
276-1027-001



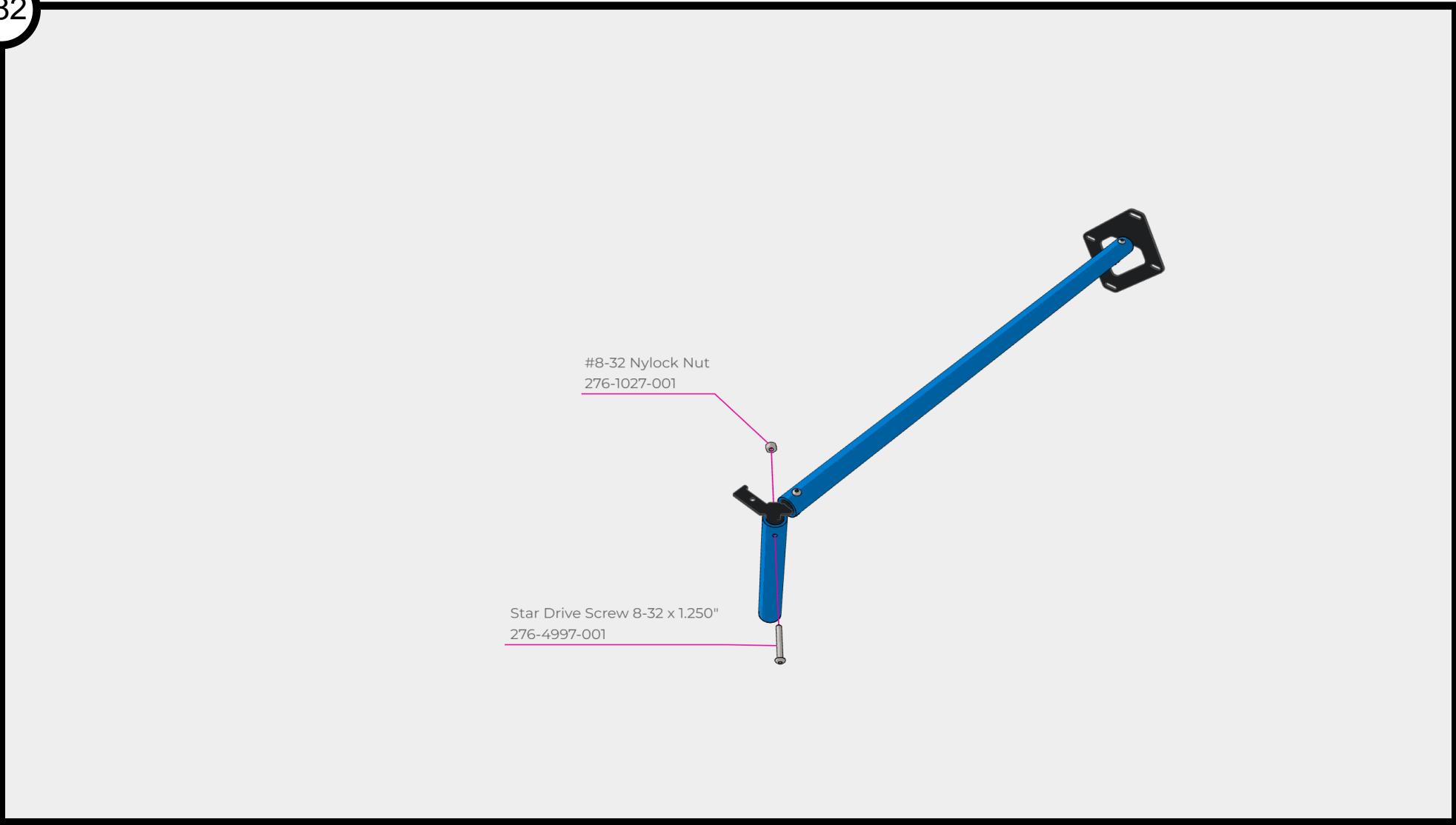


Goal Pipe 2 - Blue
276-8354-207

Goal Pipe Insert
276-8354-214



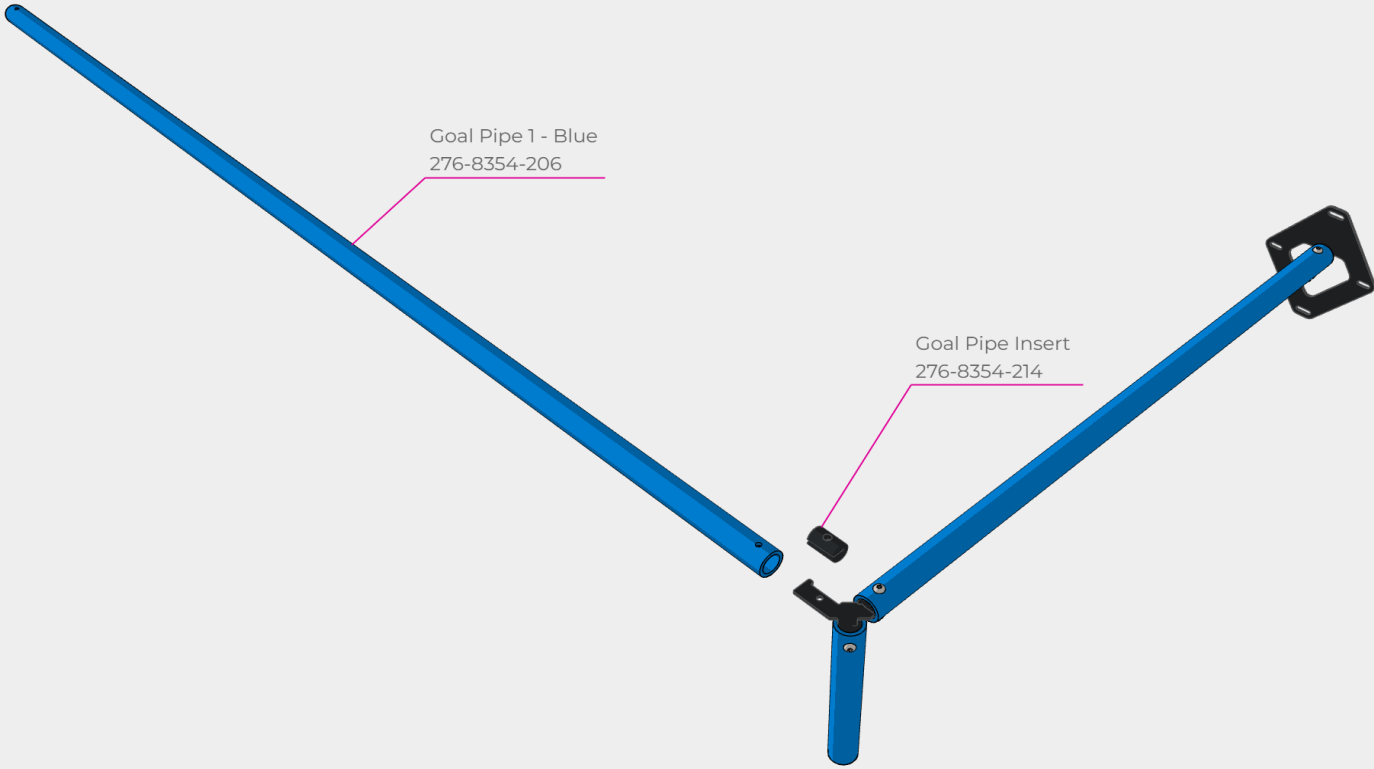




#8-32 Nylock Nut
276-1027-001

Star Drive Screw 8-32 x 1.250"
276-4997-001

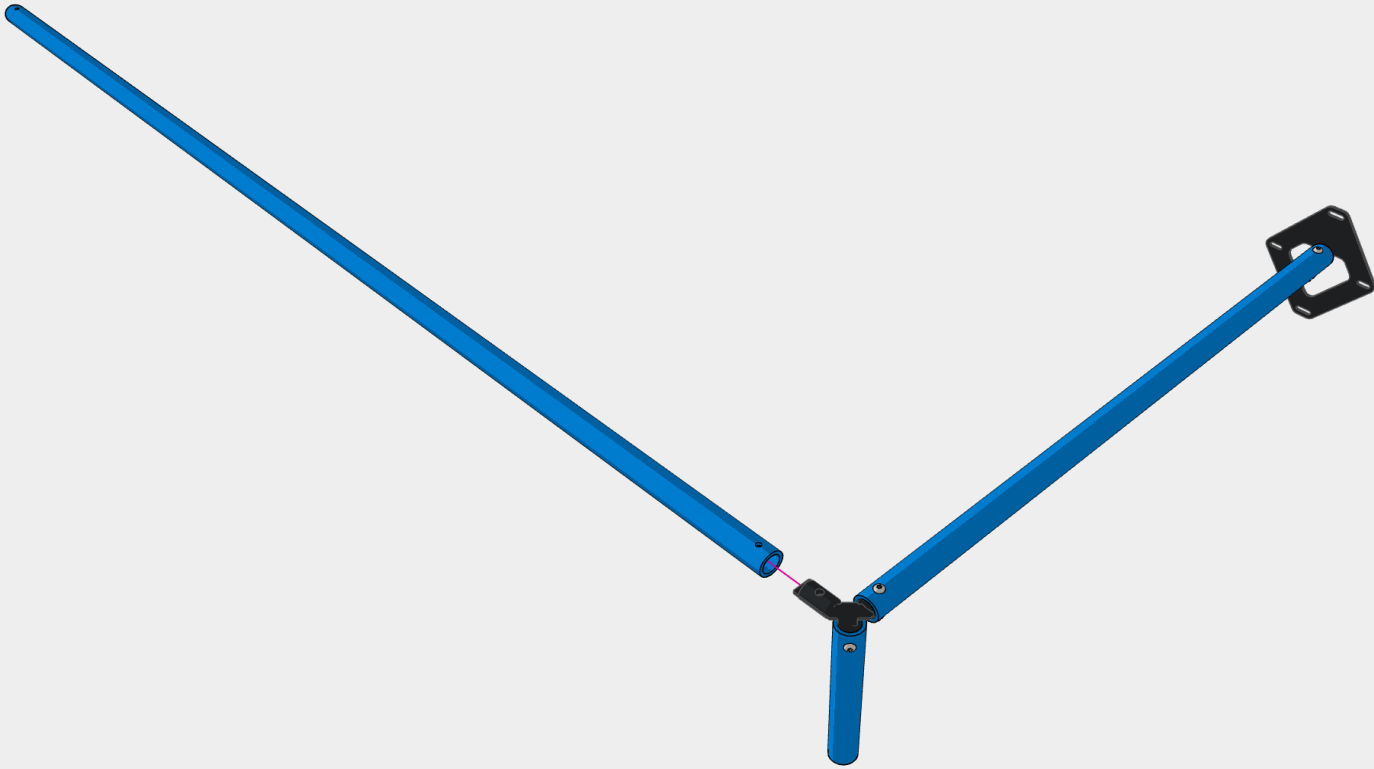


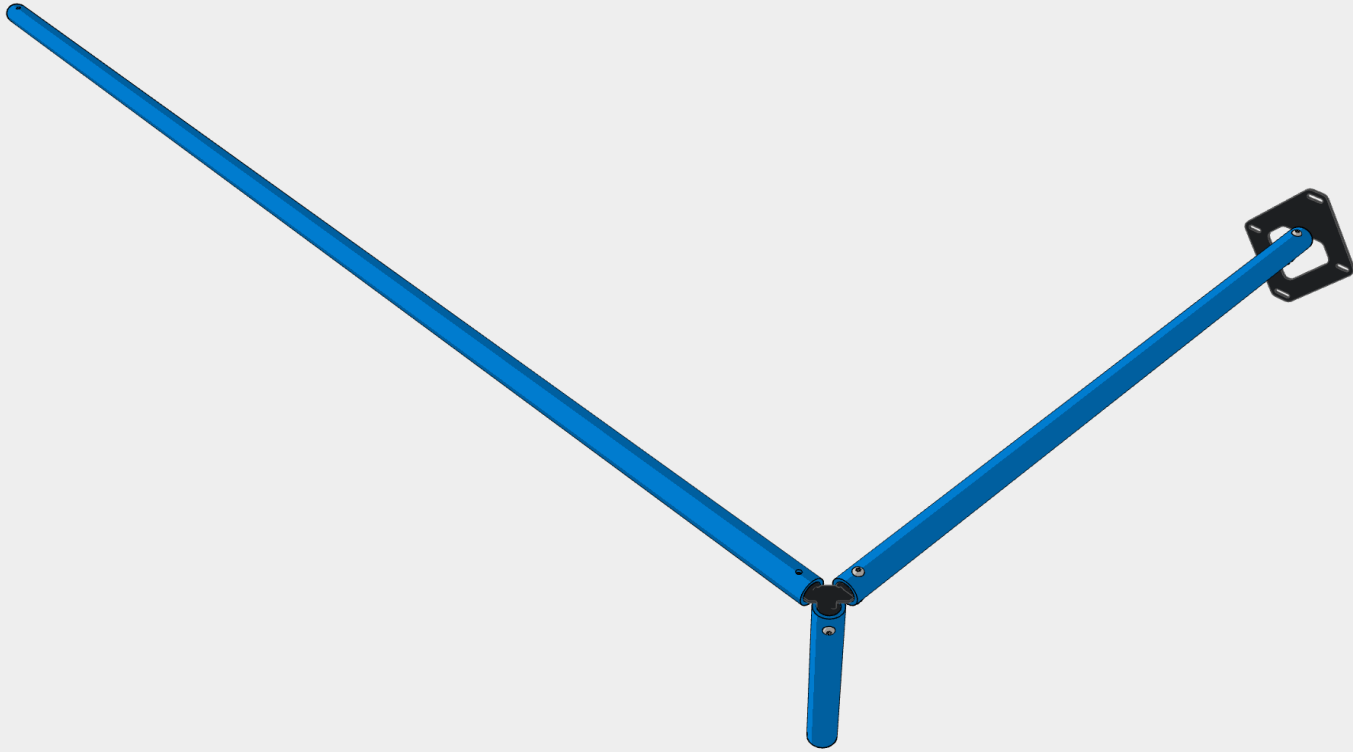


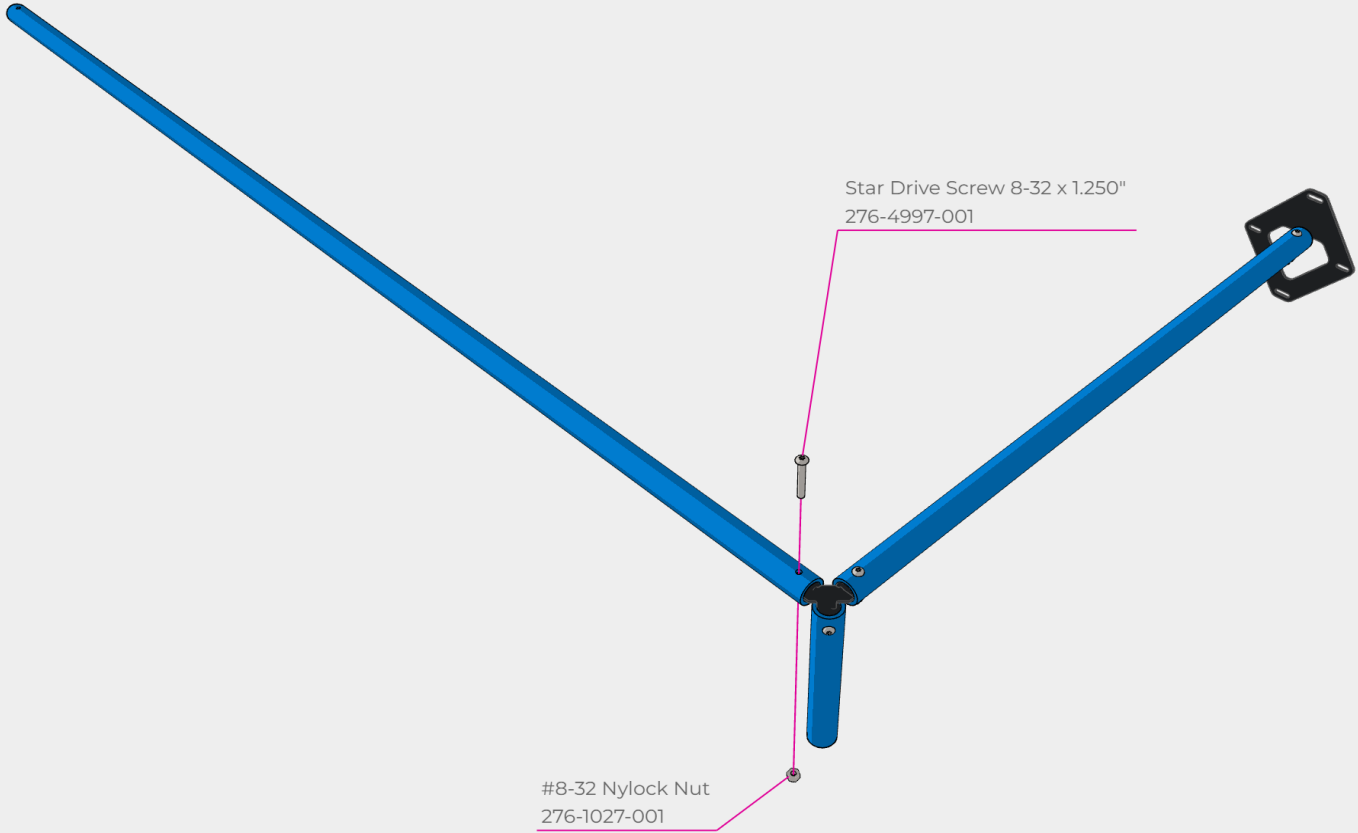
Goal Pipe 1 - Blue
276-8354-206

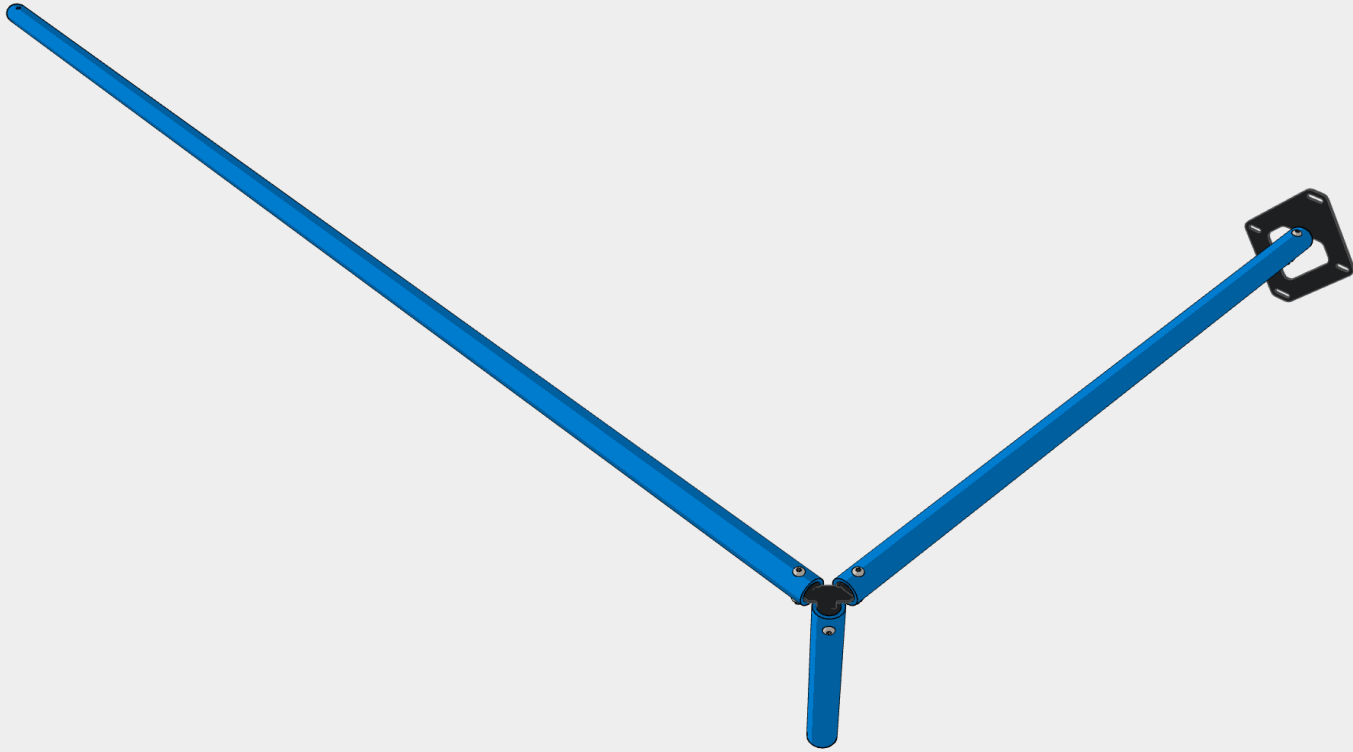
Goal Pipe Insert
276-8354-214

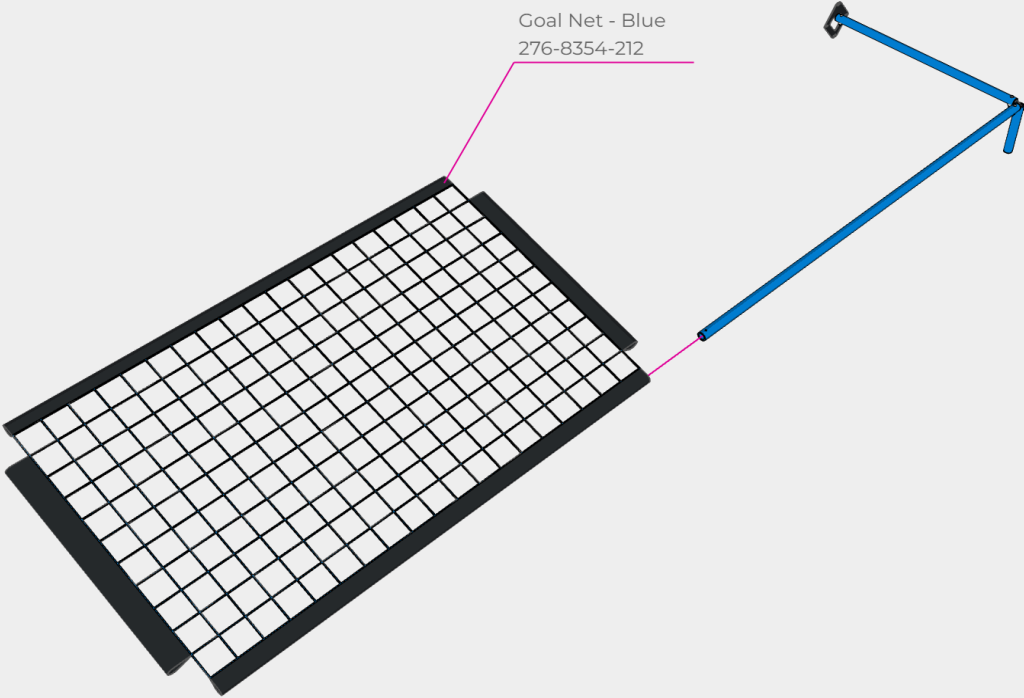
185

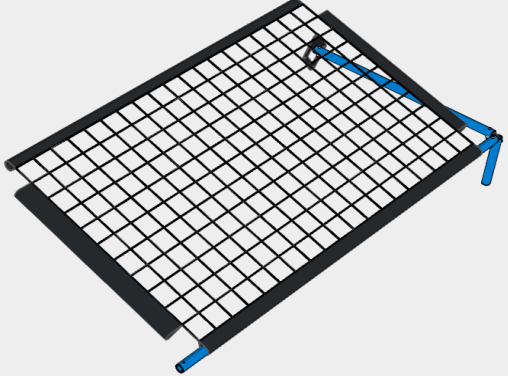








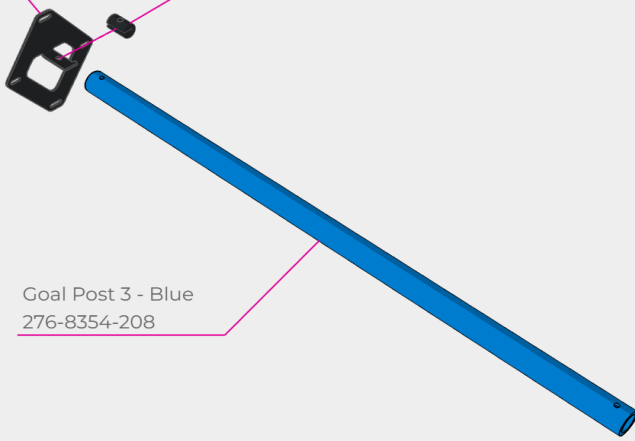


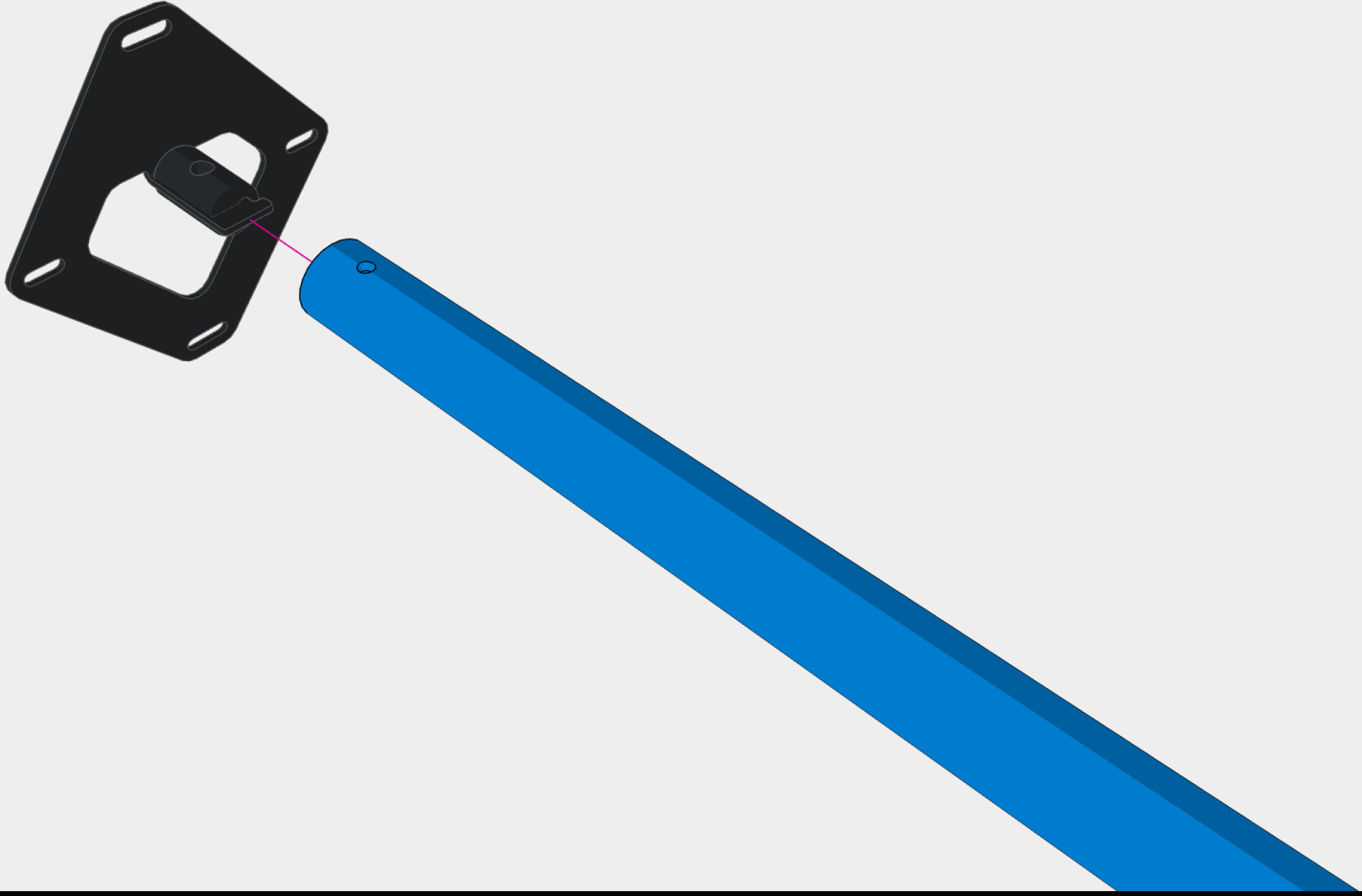


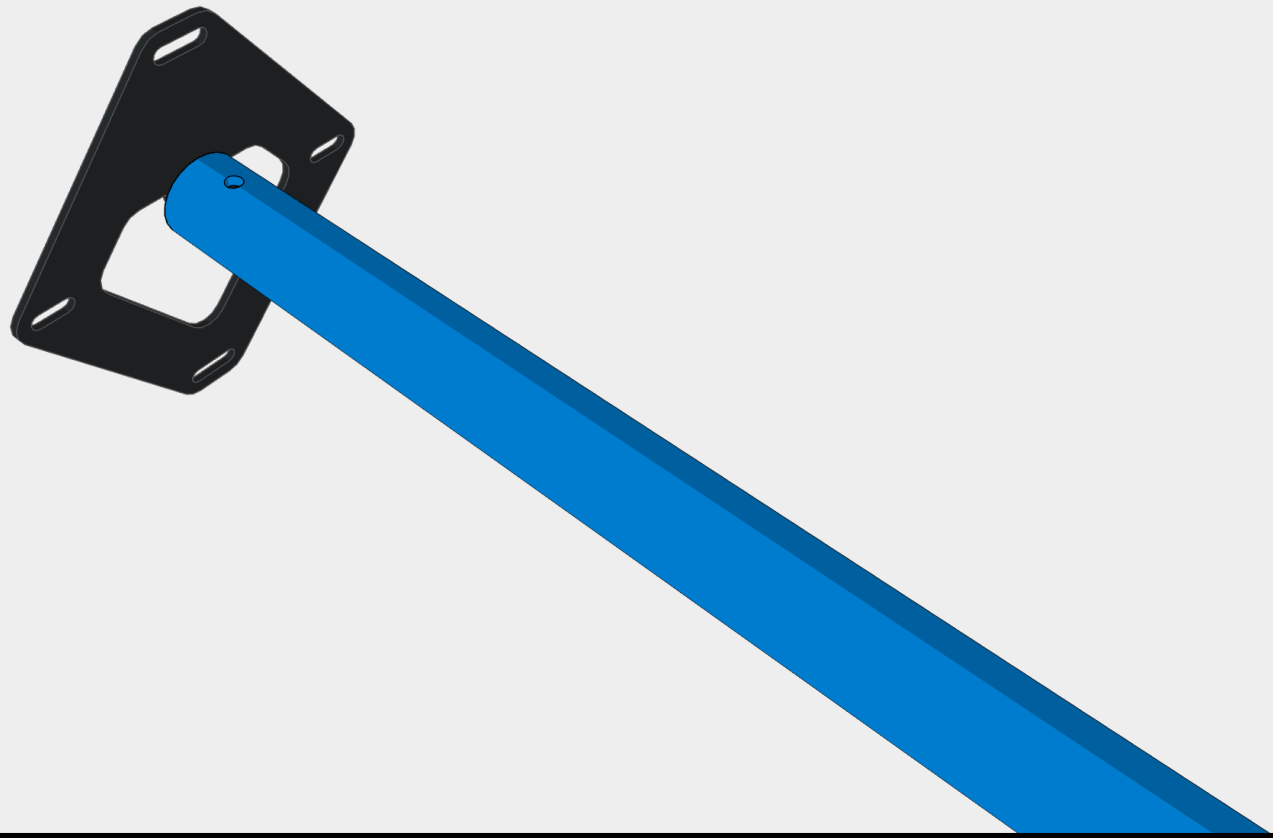
Goal Wall mount
276-8354-201

Goal Pipe Insert
276-8354-214

Goal Post 3 - Blue
276-8354-208

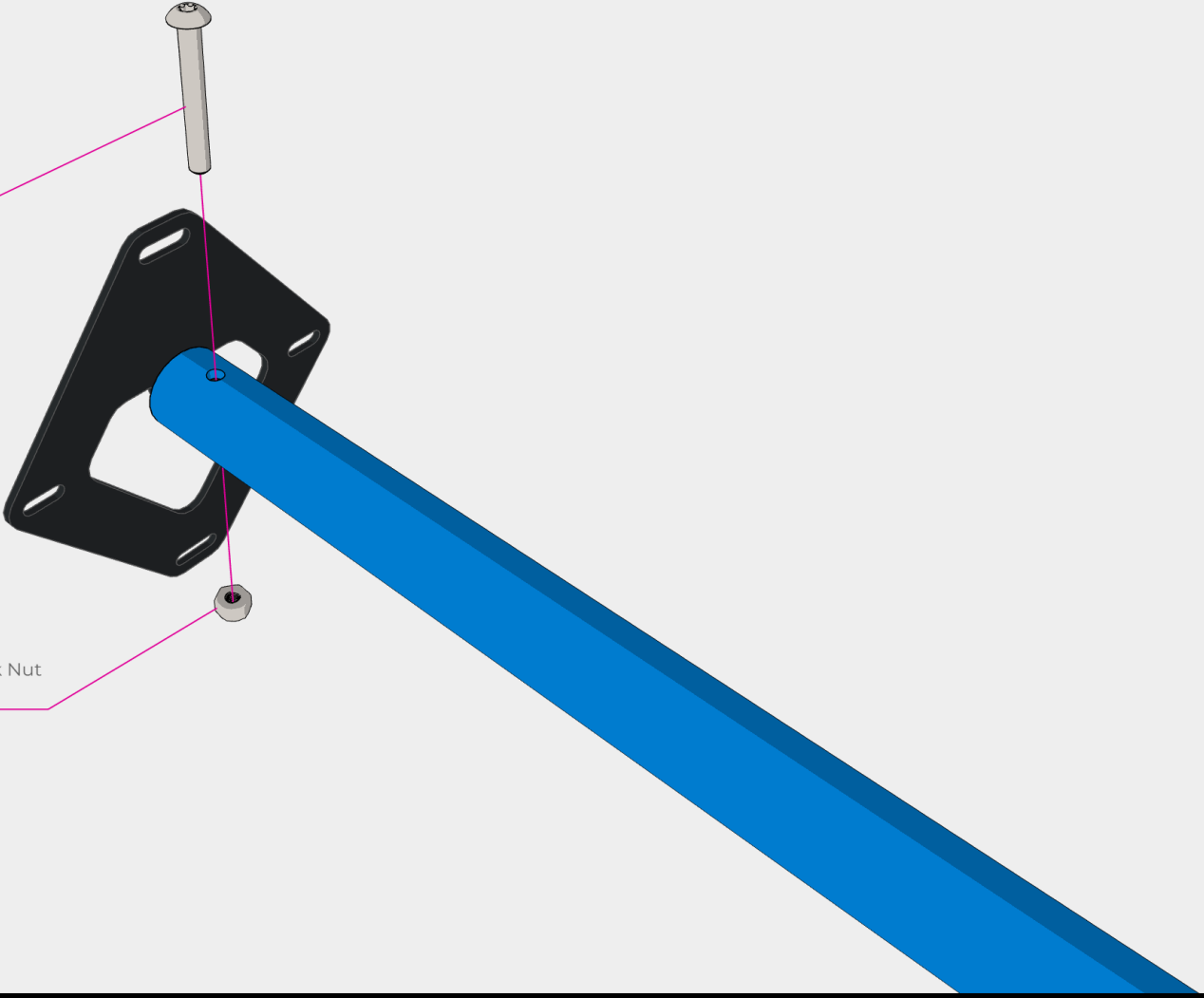


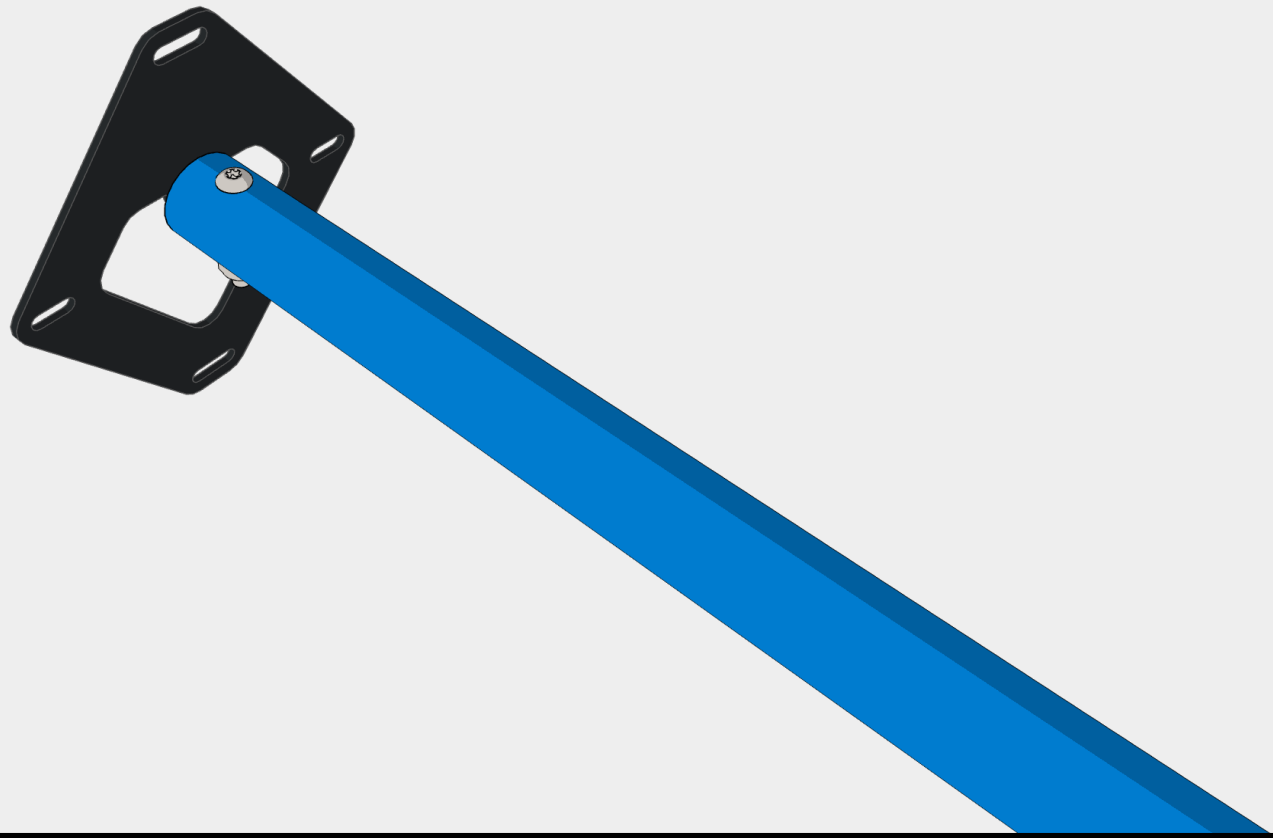




Star Drive Screw 8-32 x 1.250"
276-4997-001

#8-32 Nylock Nut
276-1027-001



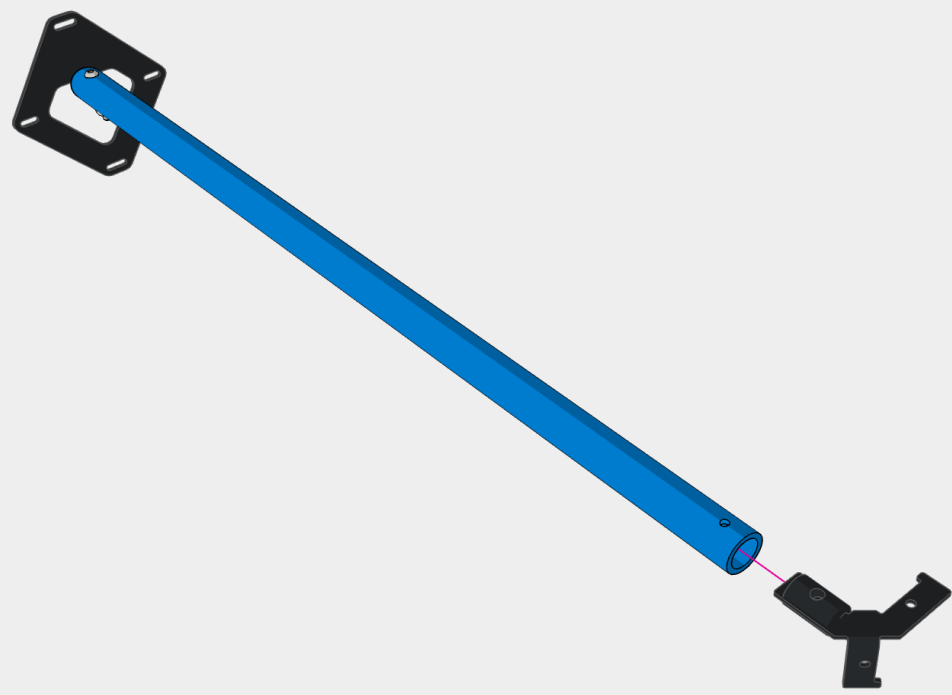




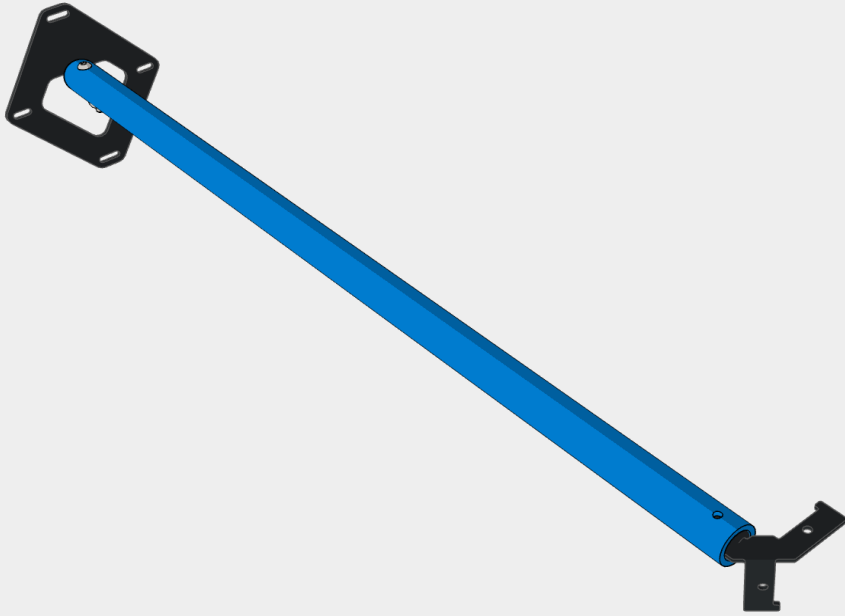
Goal Pipe Insert
276-8354-214

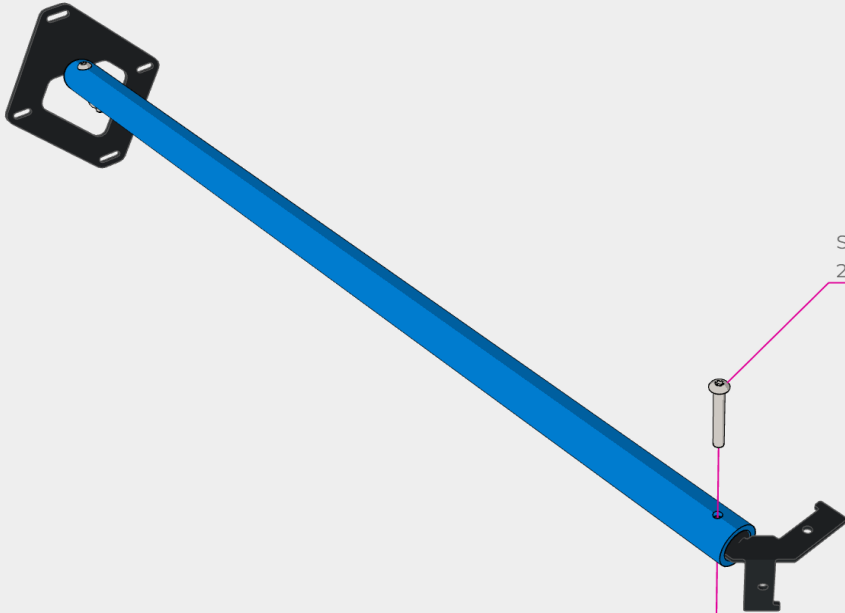
Goal Corner Bracket
276-8354-202

197



198

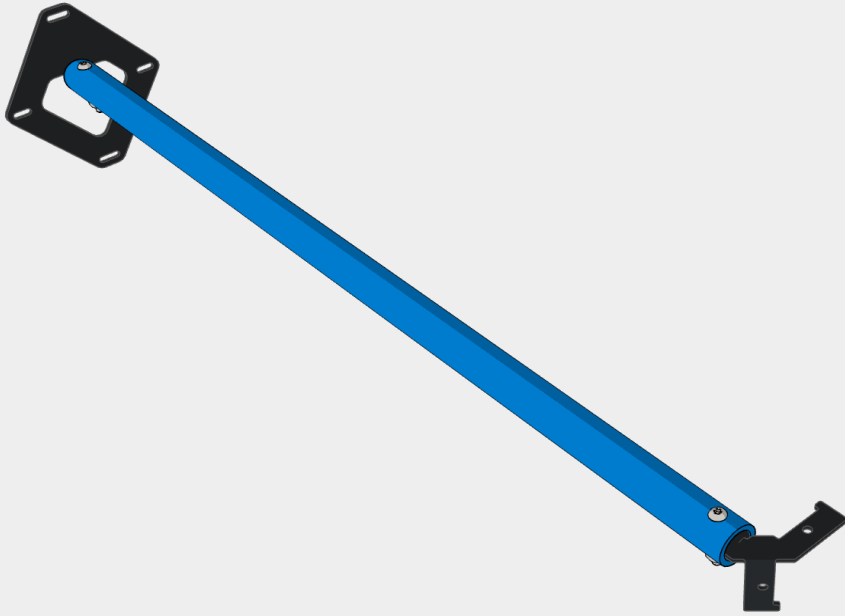


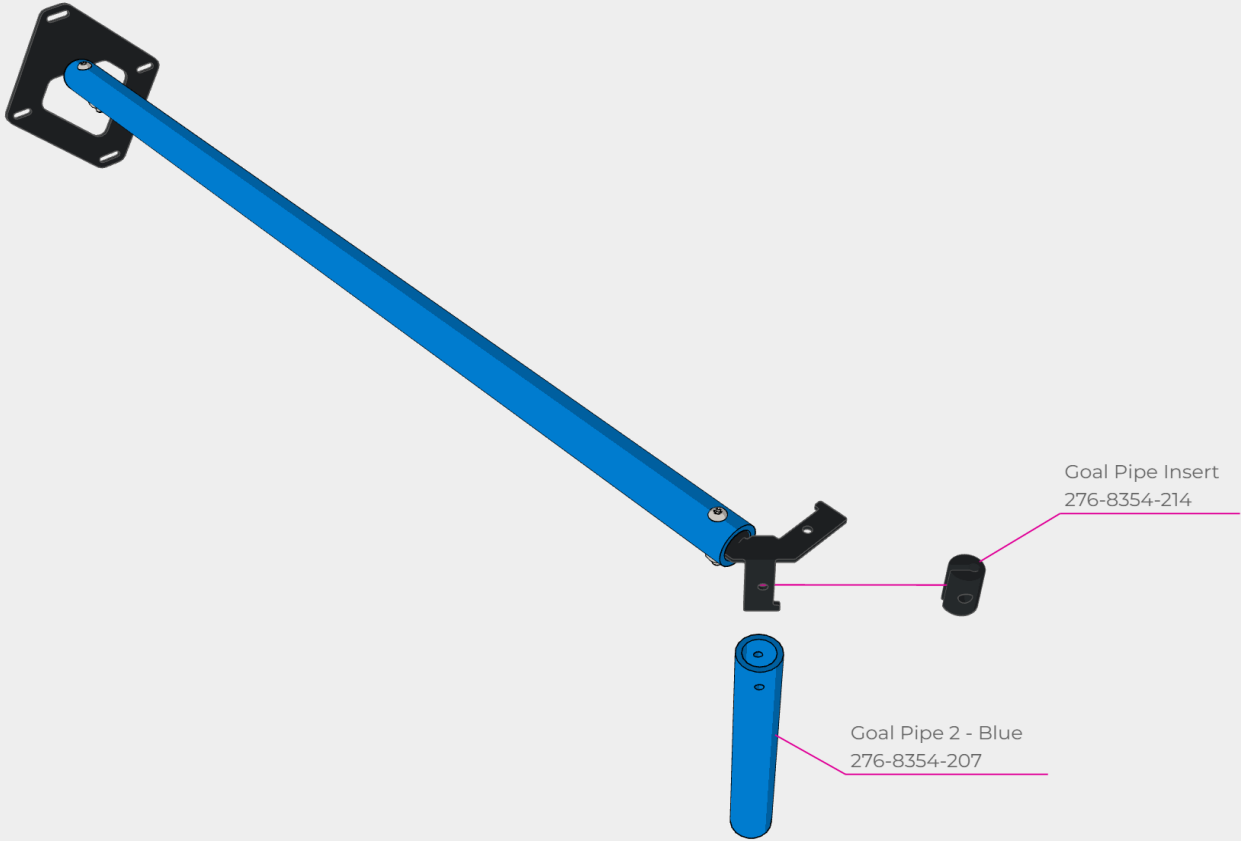


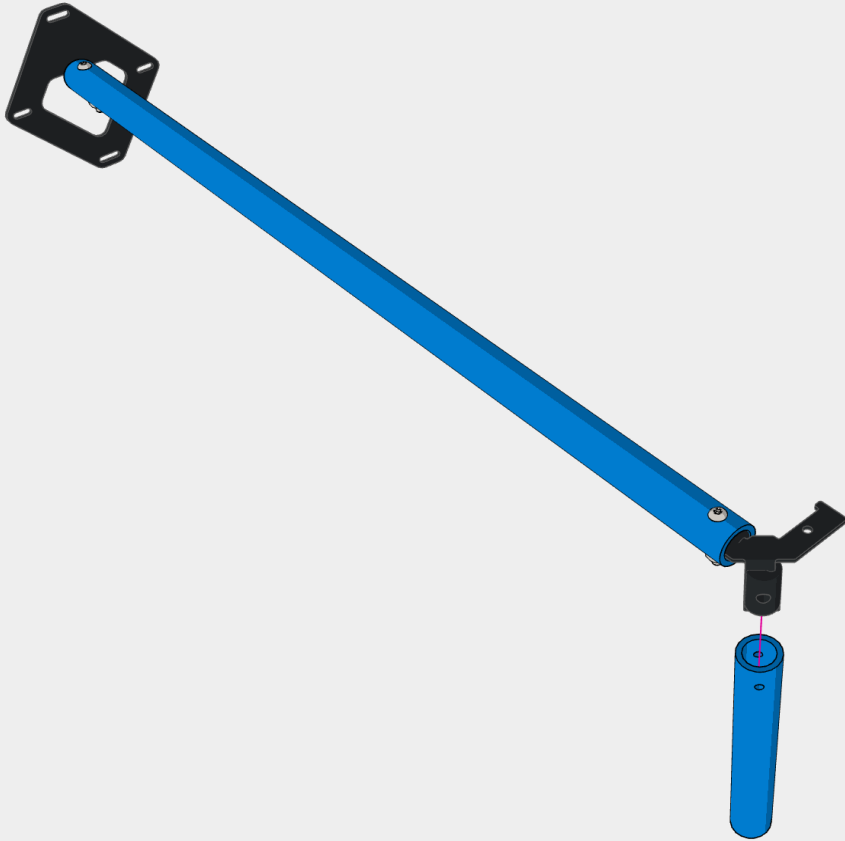
Star Drive Screw 8-32 x 1.250"
276-4997-001

#8-32 Nylock Nut
276-1027-001

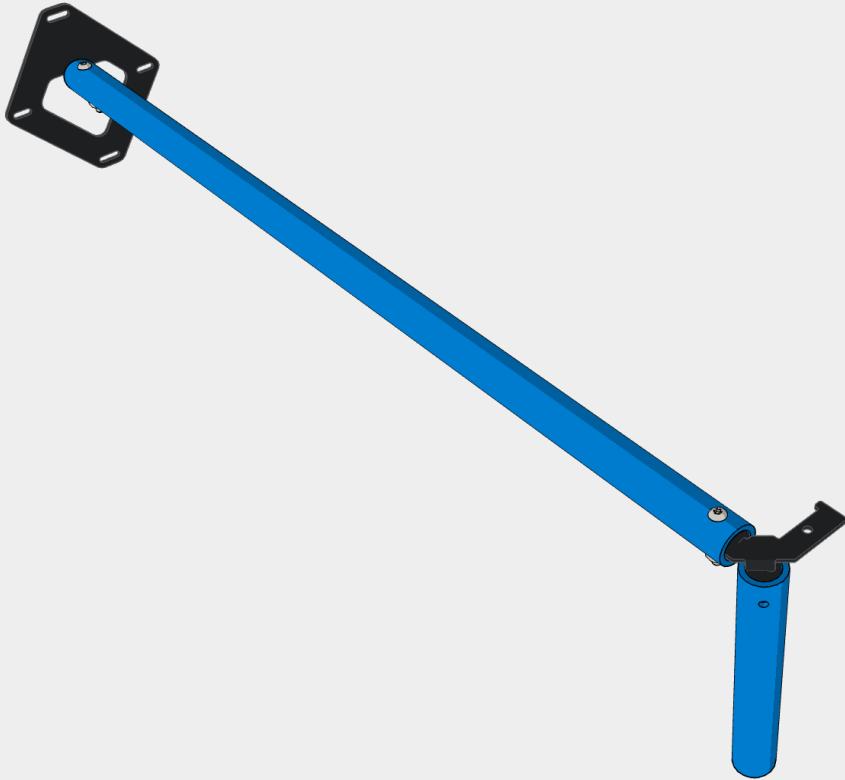
200

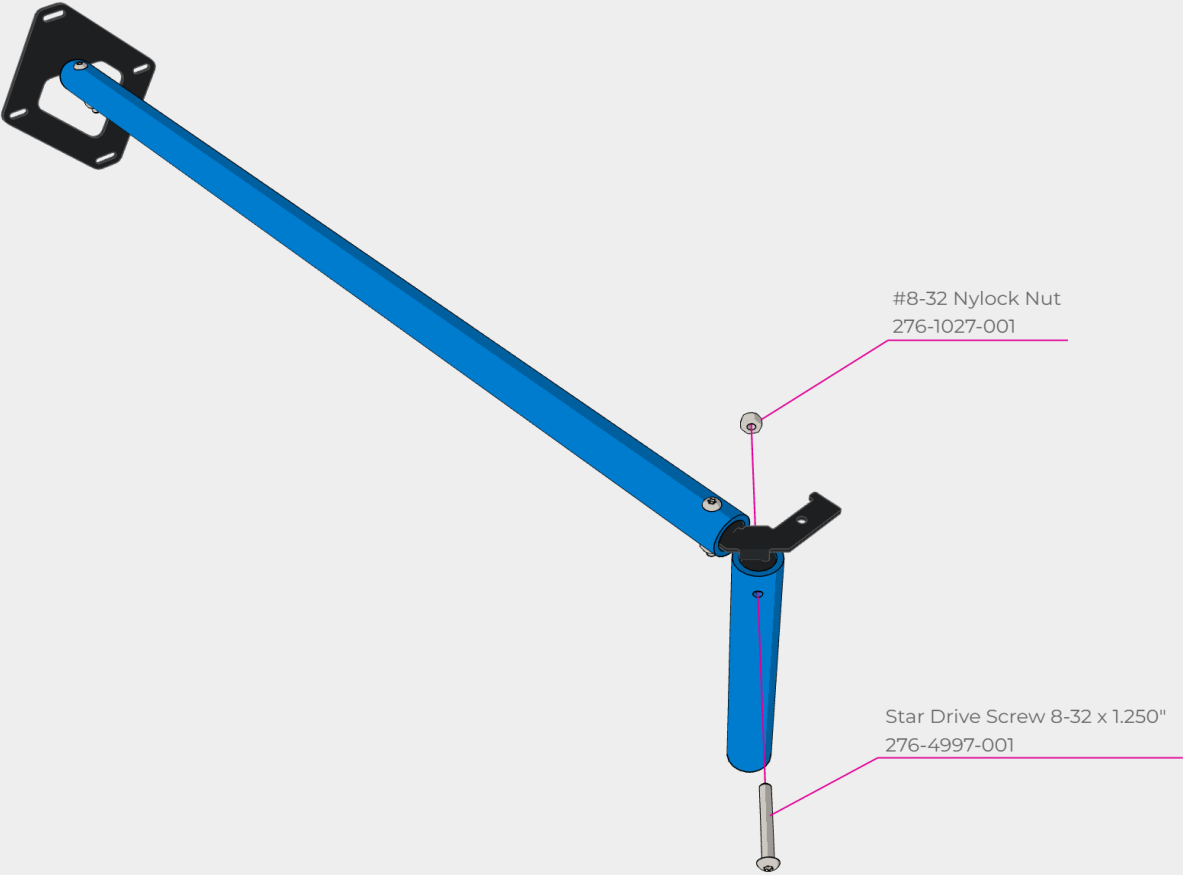






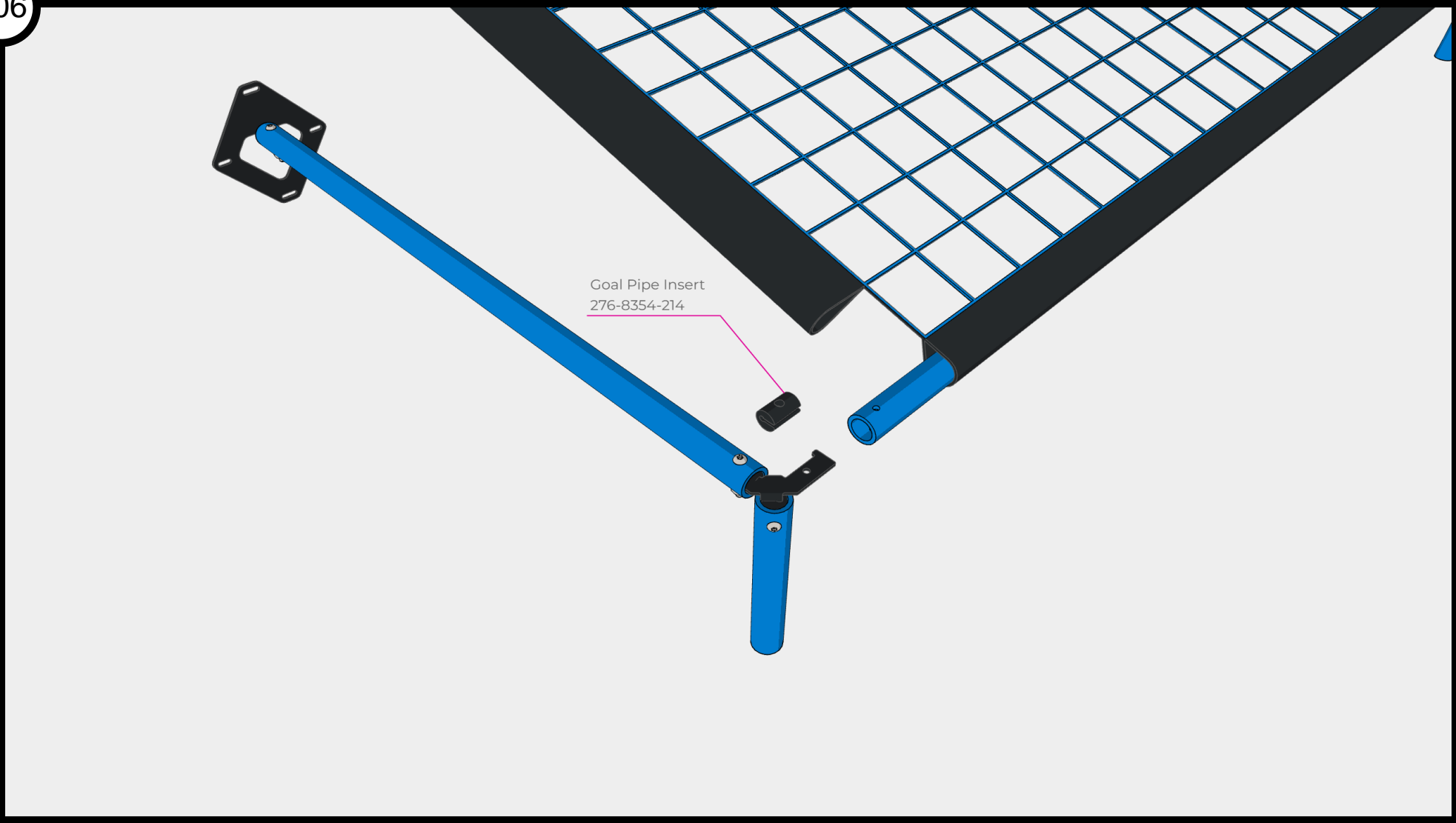
203





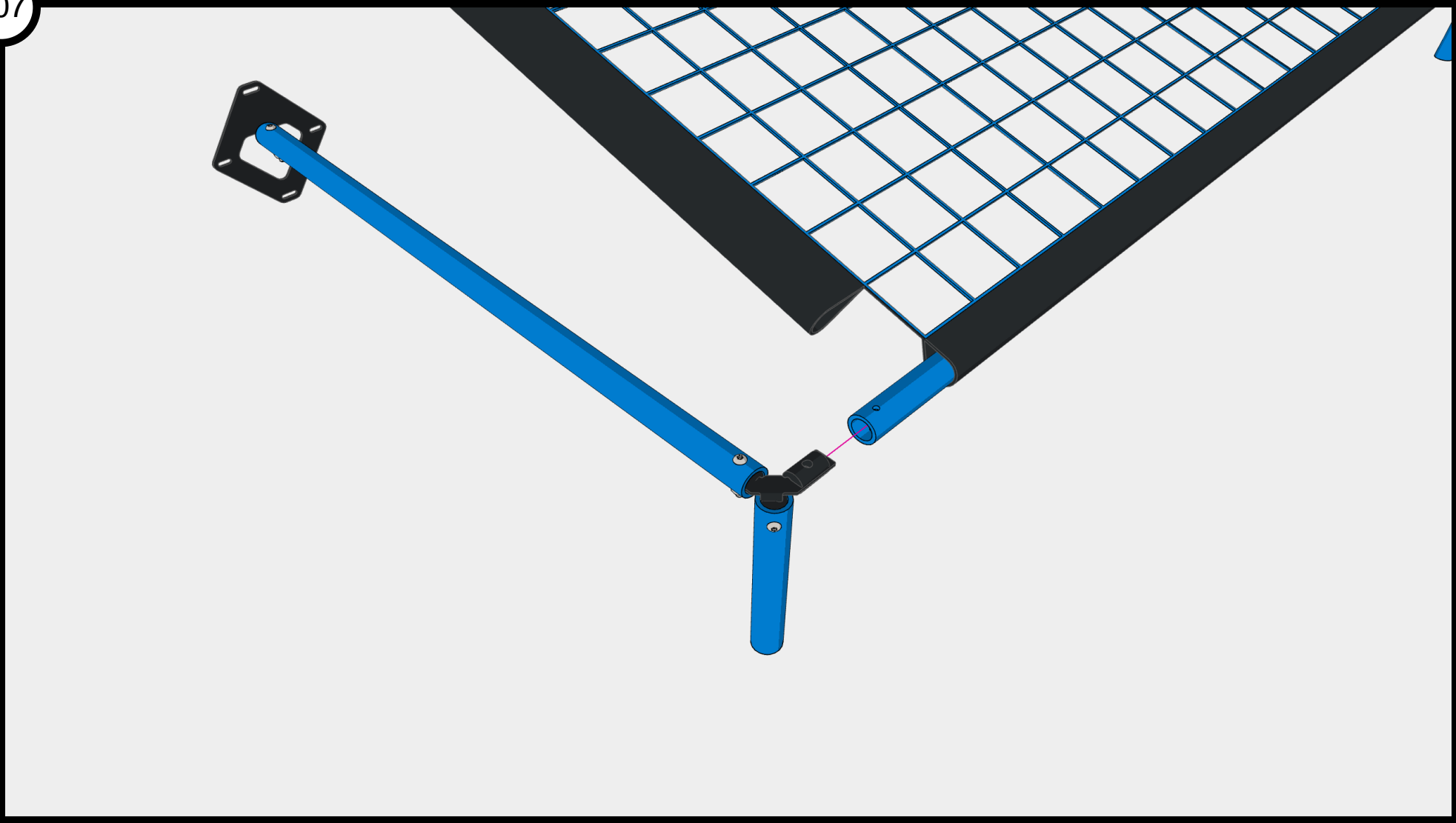
205

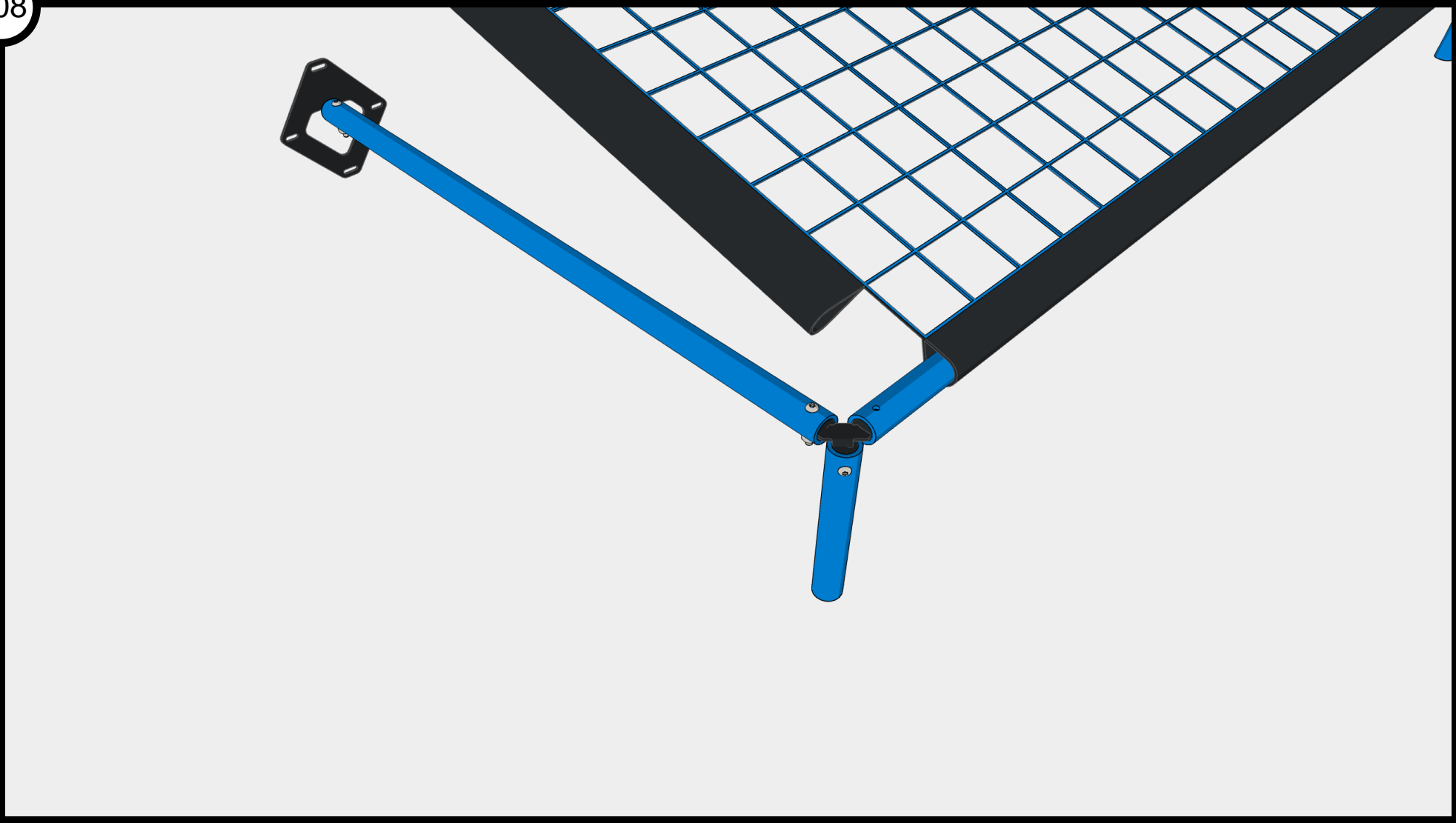


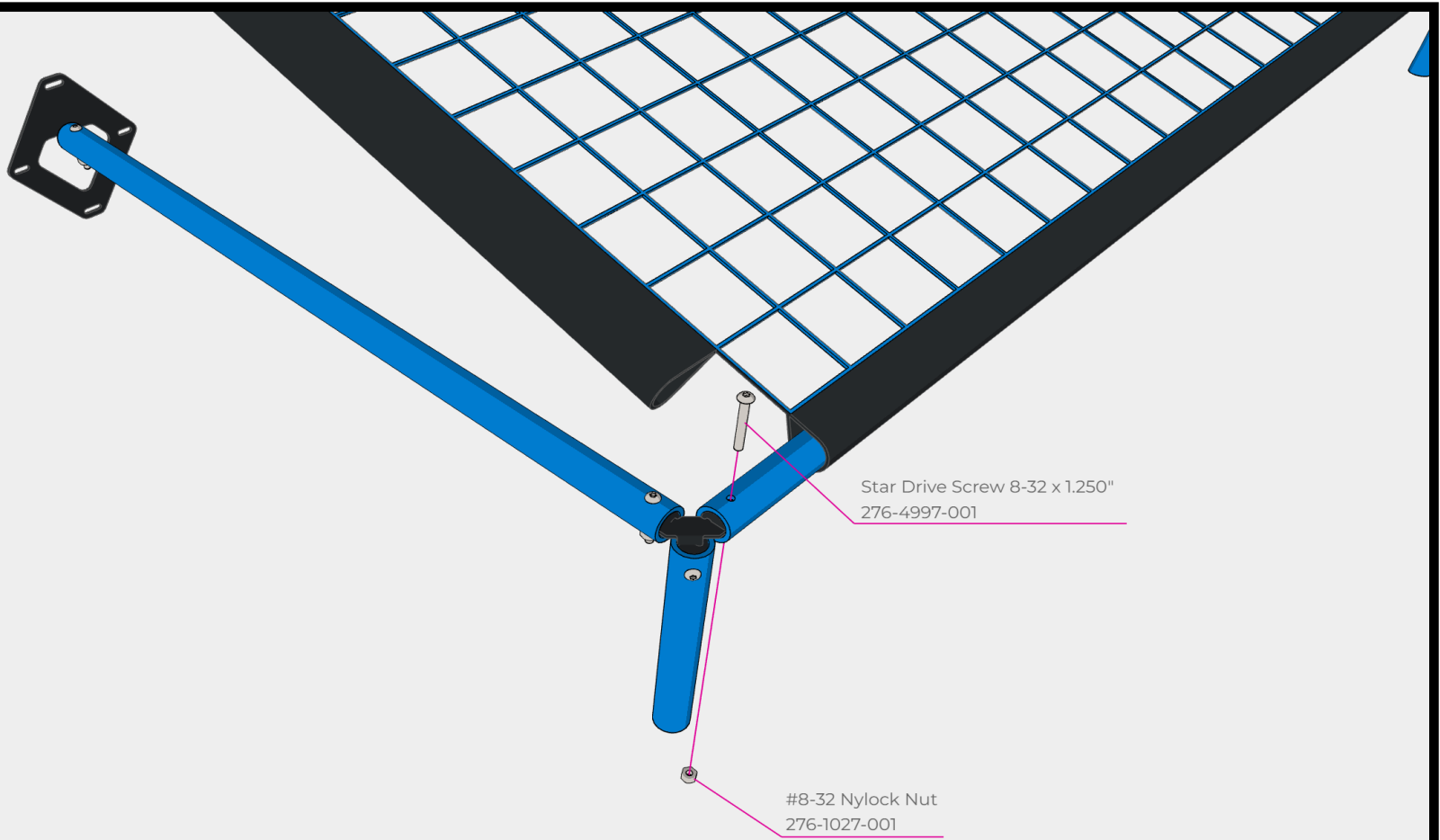


Goal Pipe Insert
276-8354-214

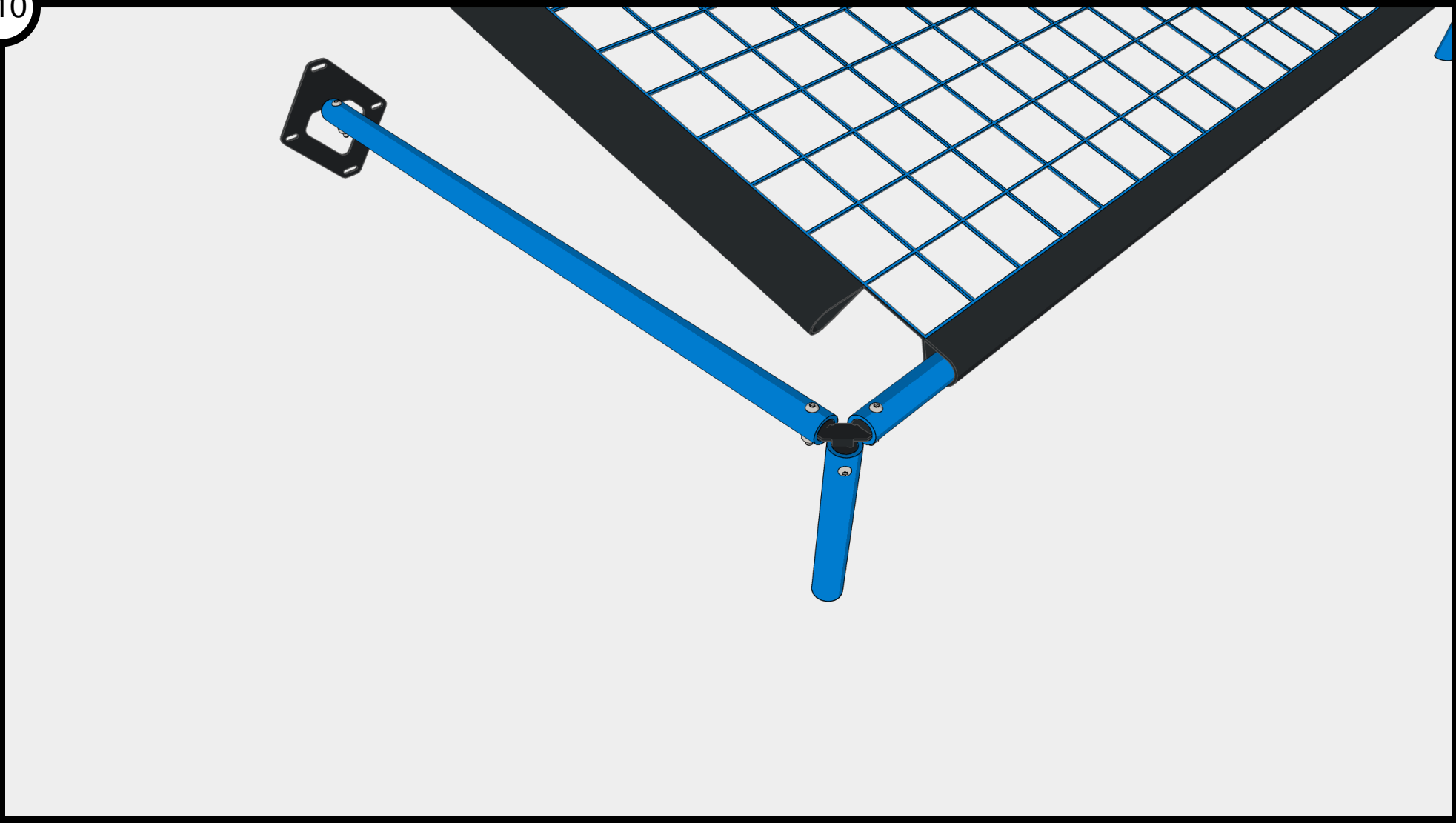
207

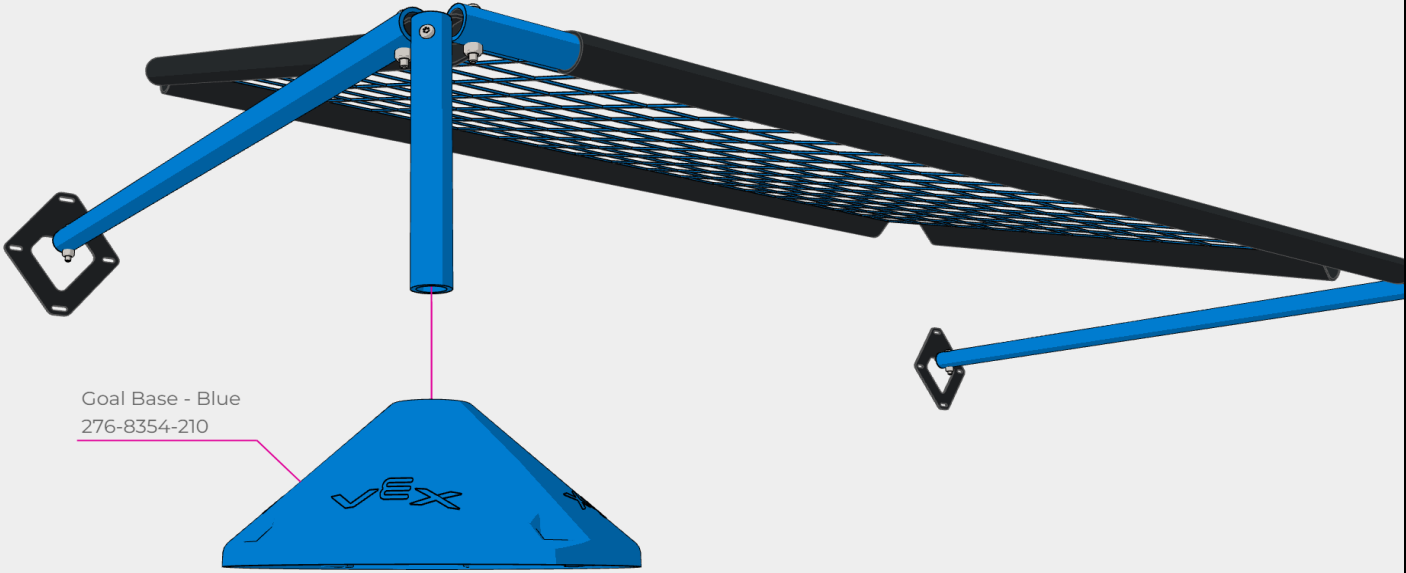






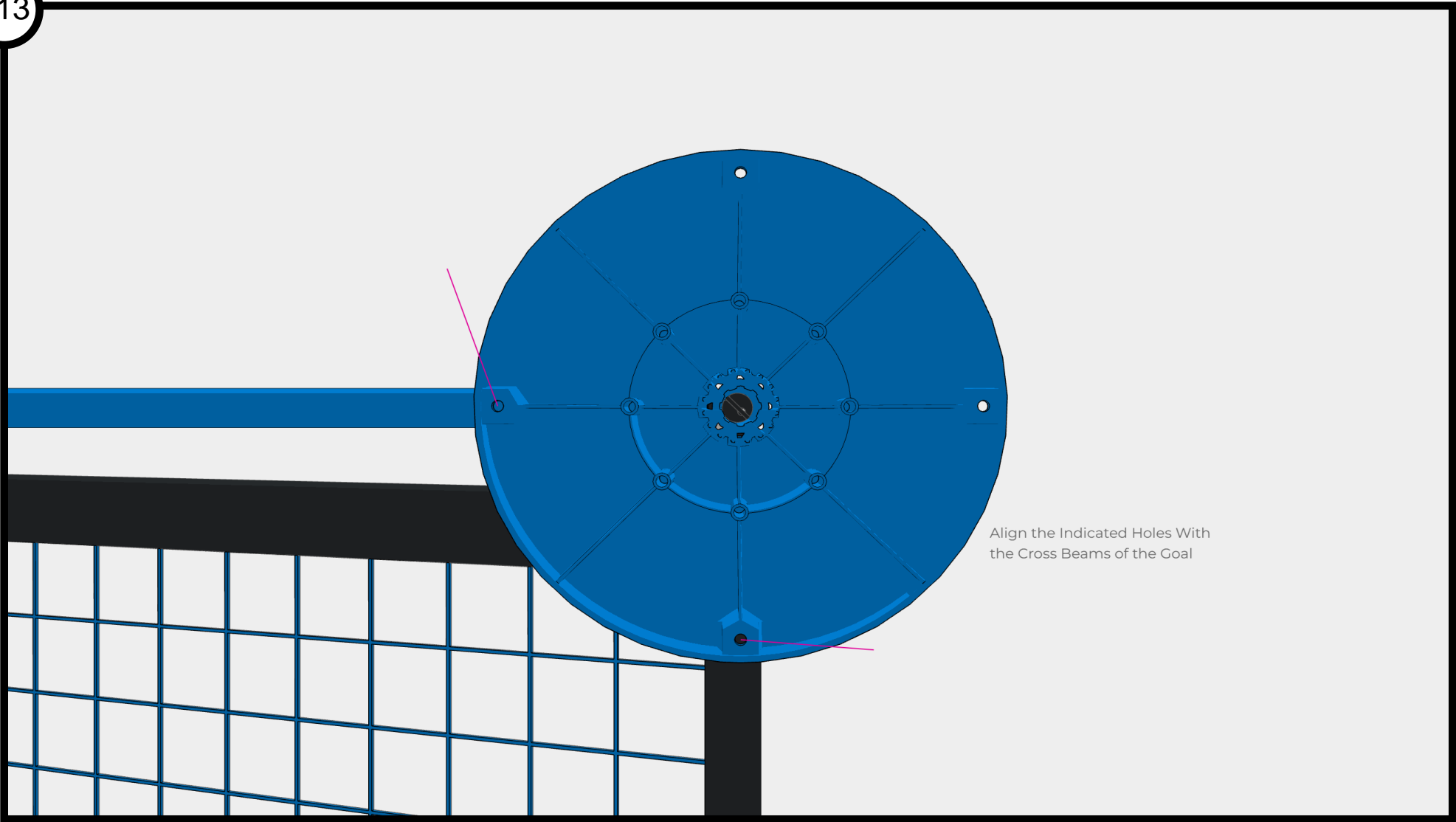
210





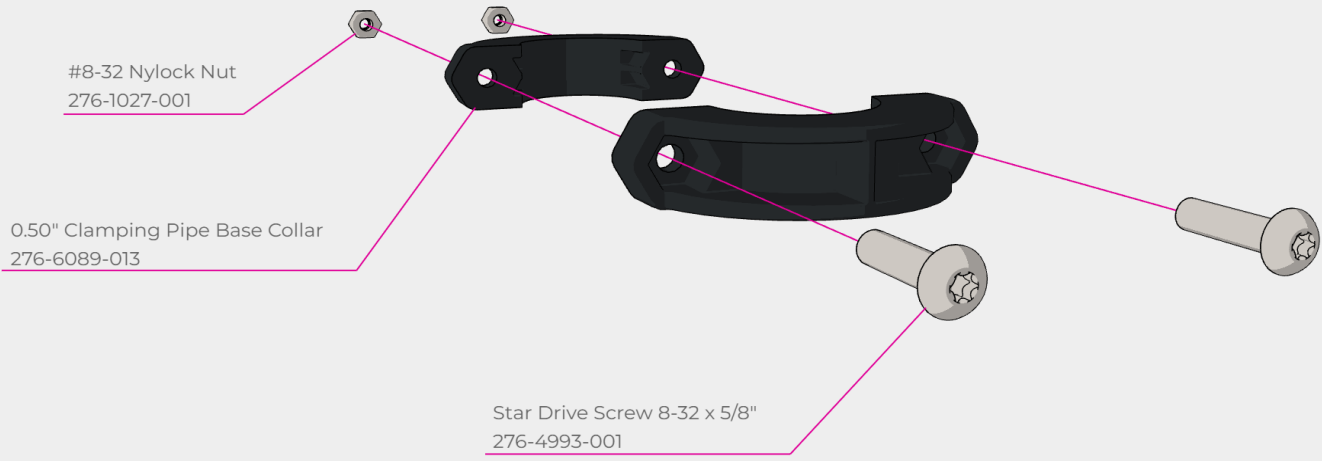
Goal Base - Blue
276-8354-210





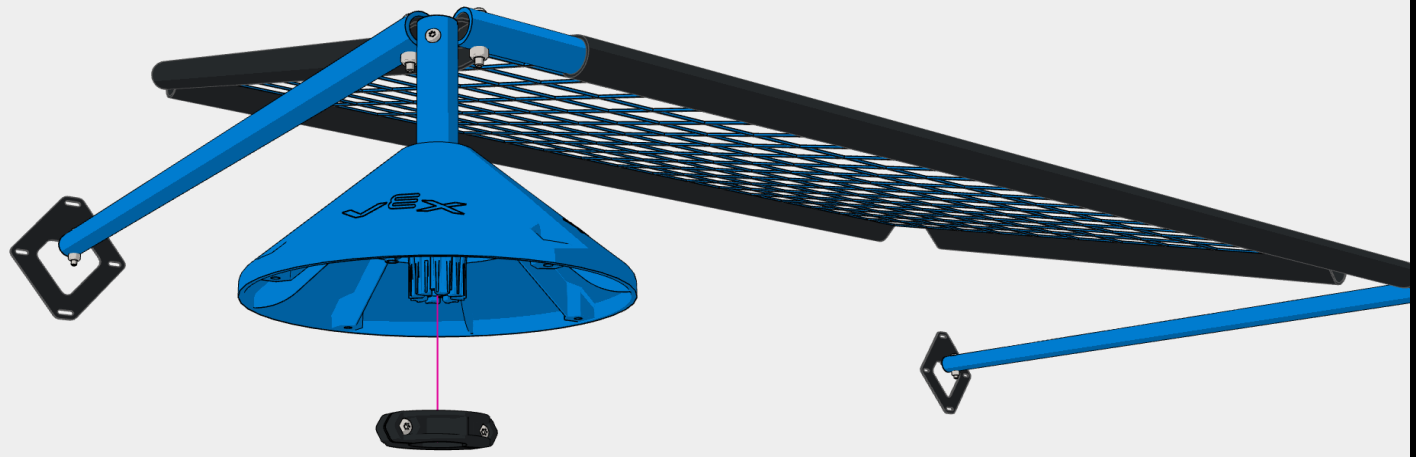
Align the Indicated Holes With
the Cross Beams of the Goal

2x



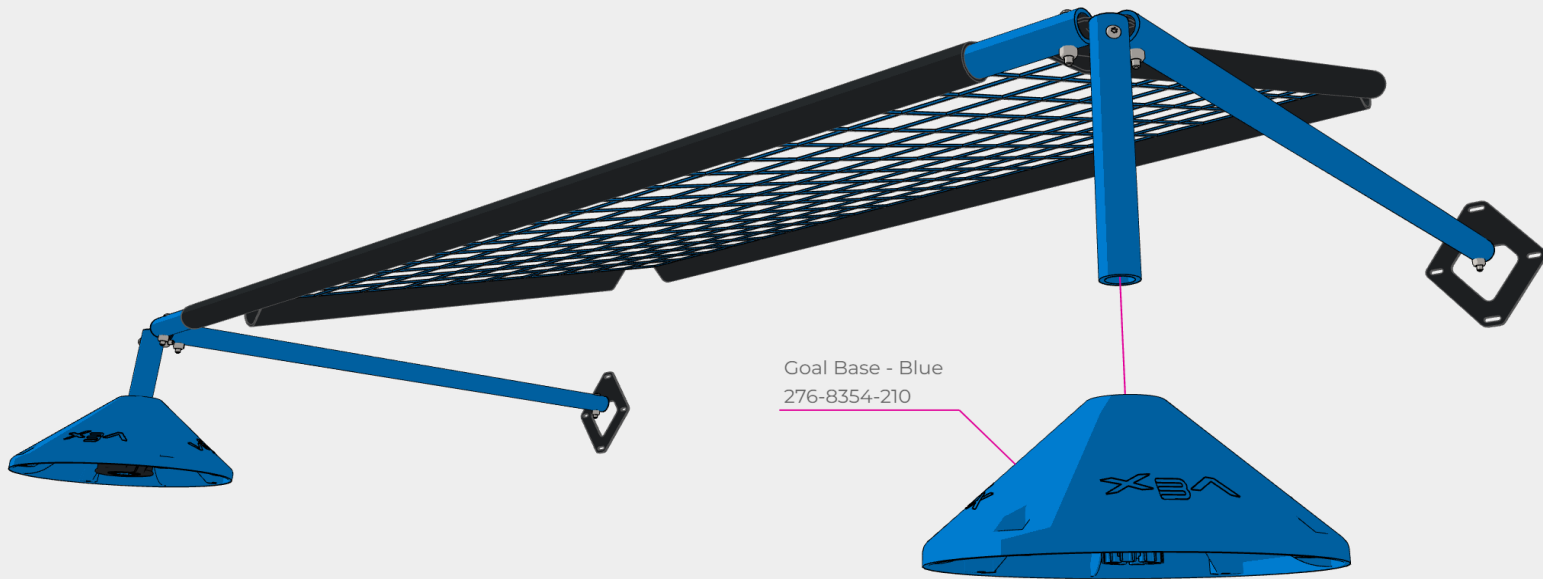


Do Not Fully Tighten



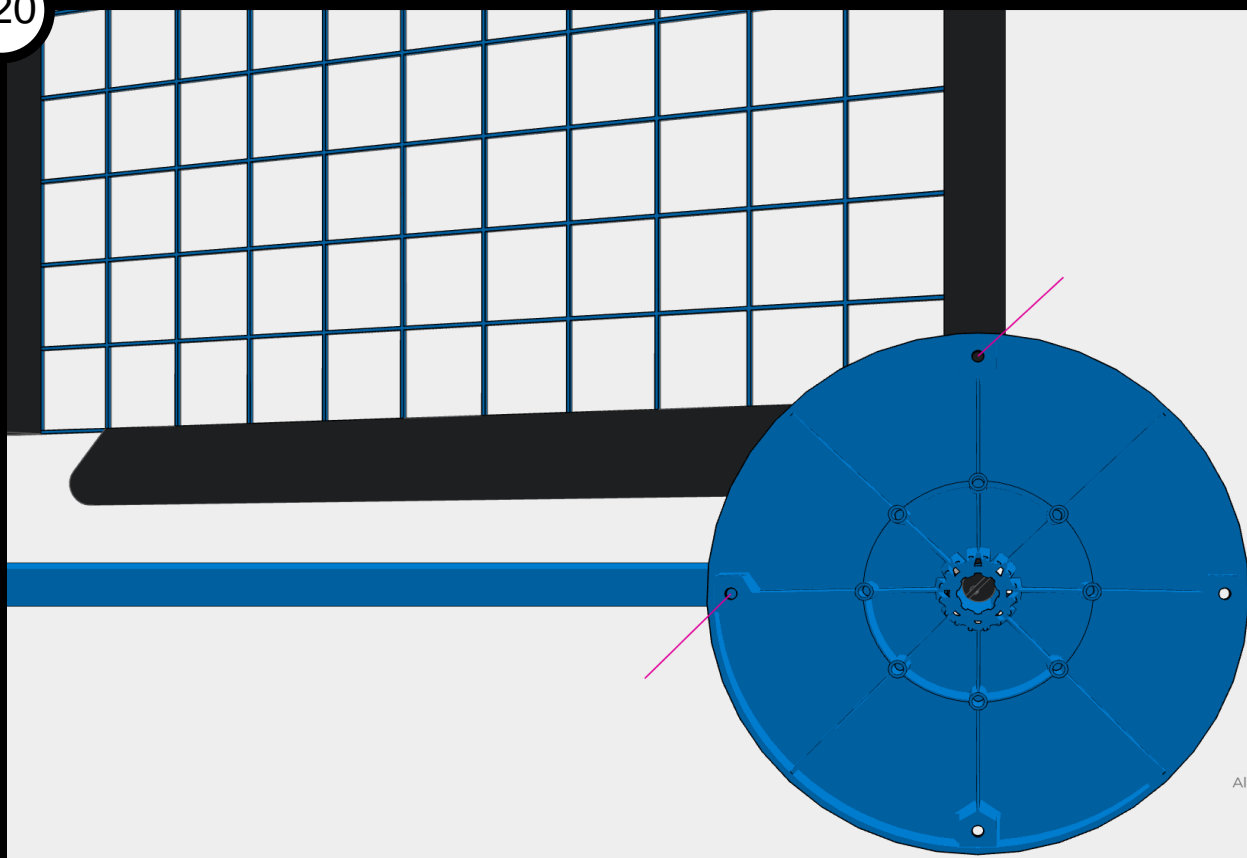


Fully Tighten Bolts



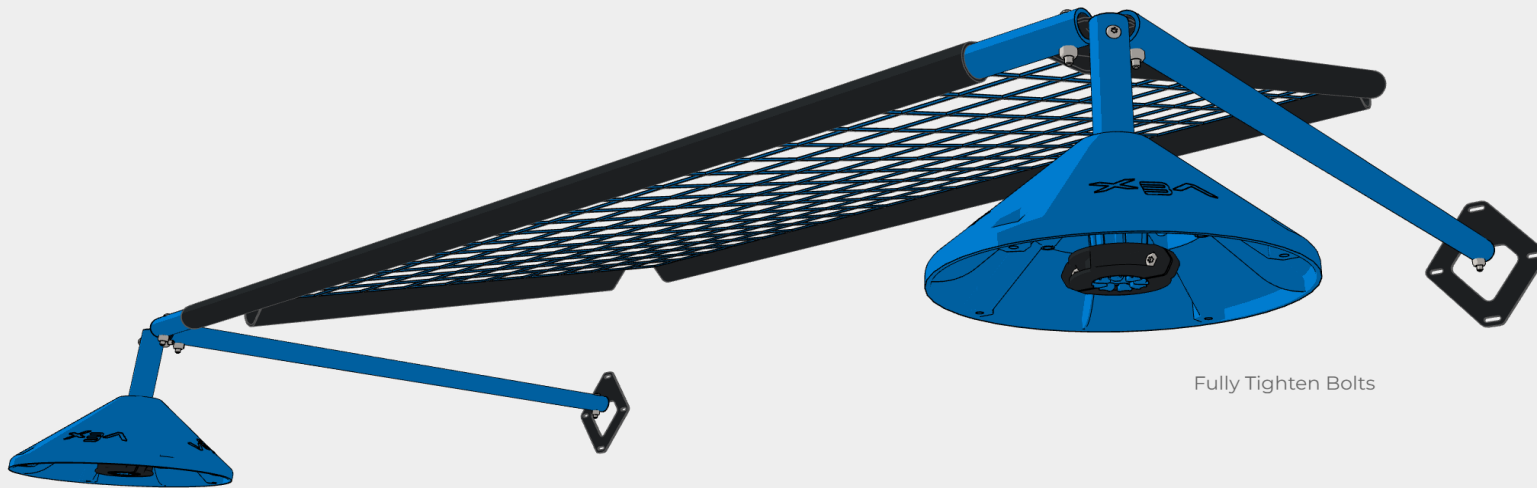
Goal Base - Blue
276-8354-210



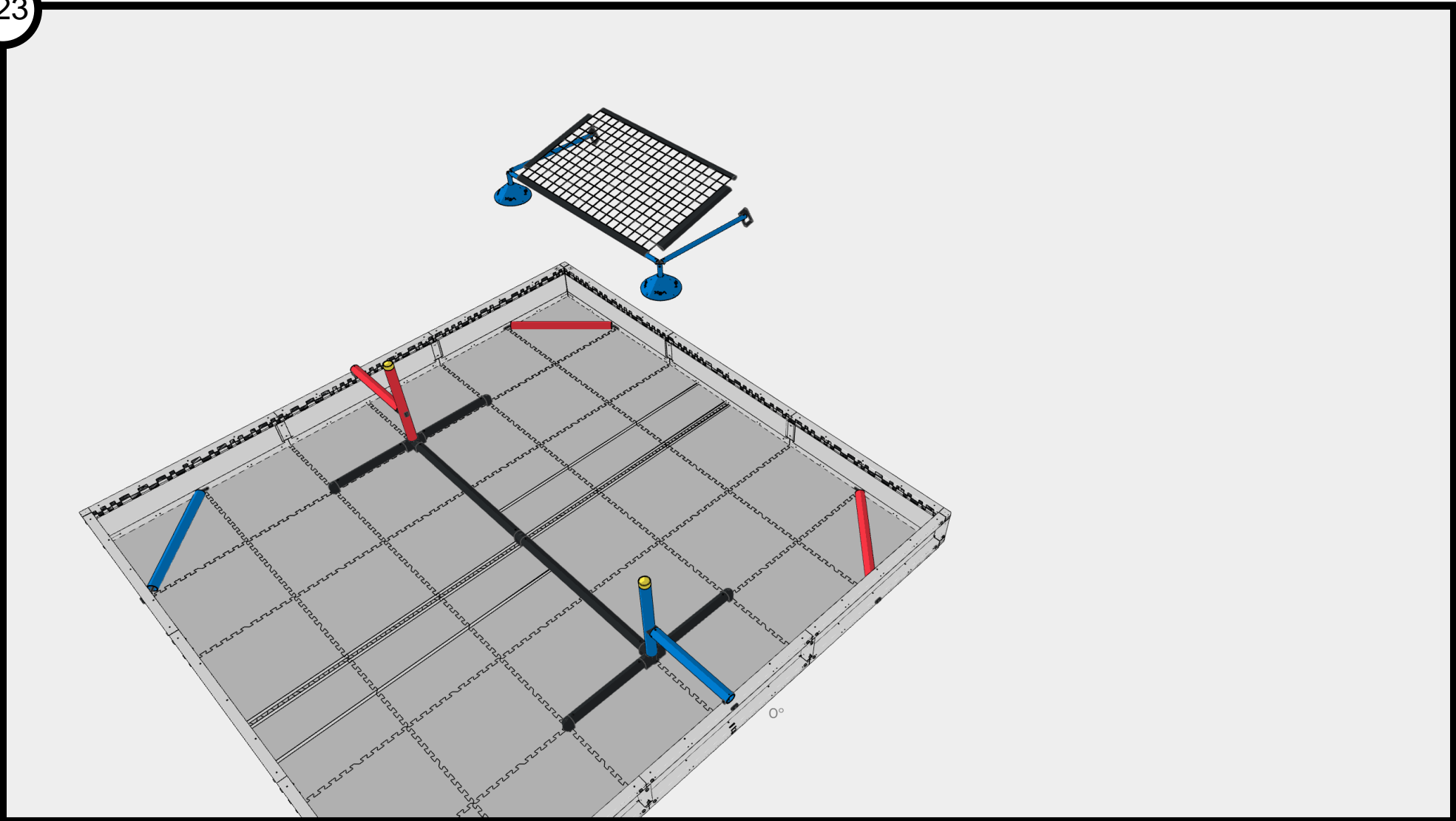


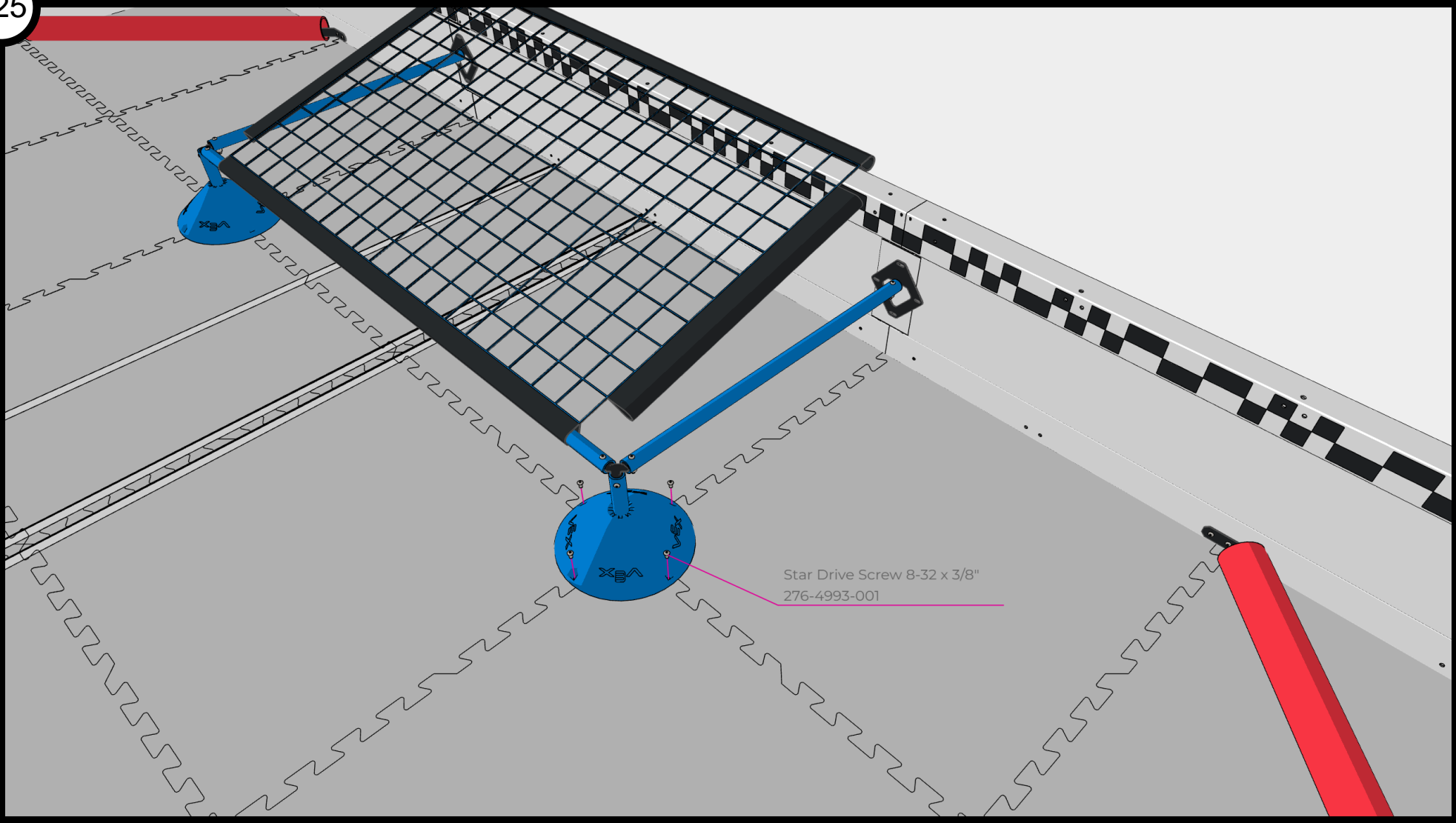
Align the Indicated Holes With the Cross
Beams of the Goal



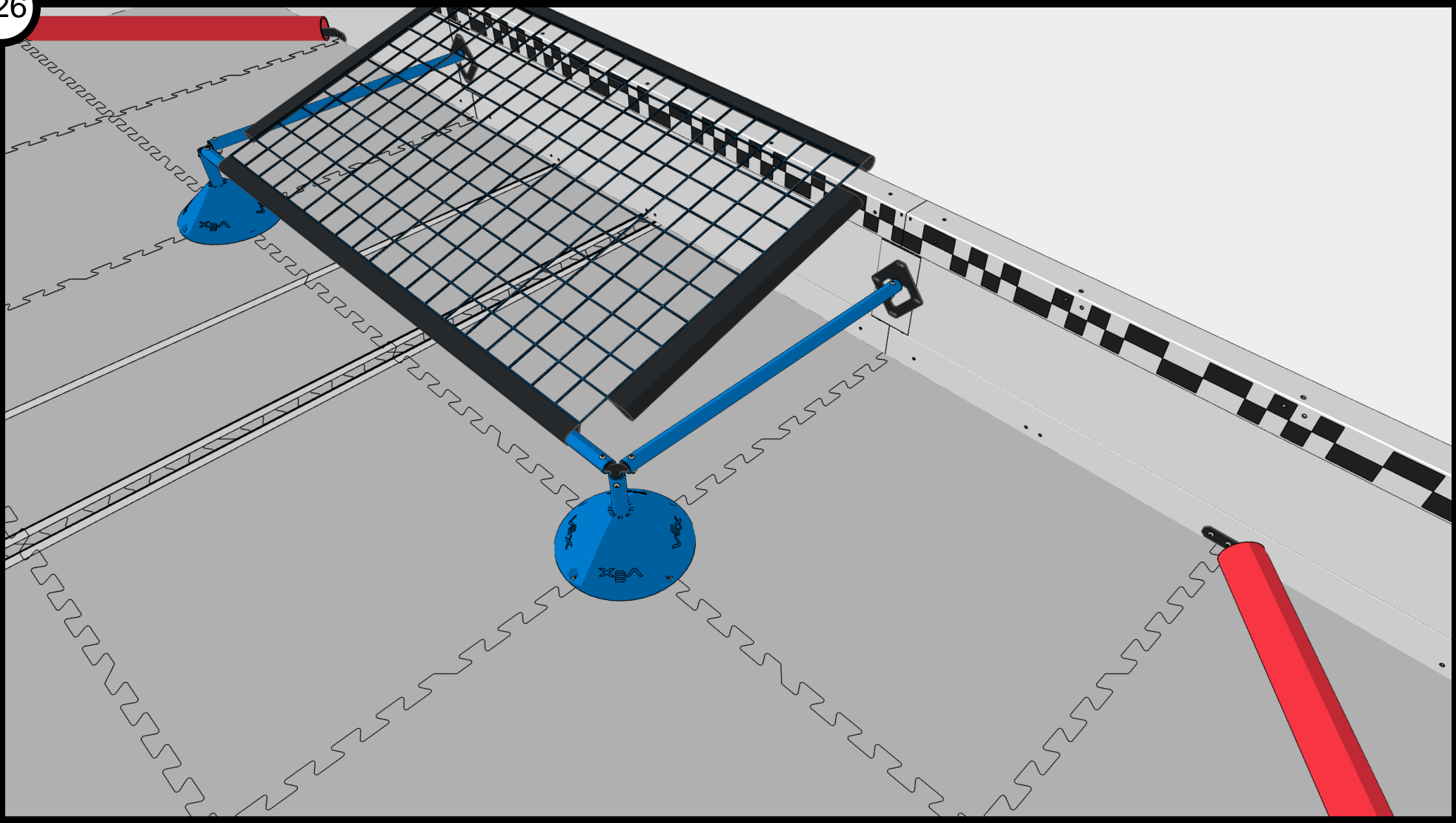


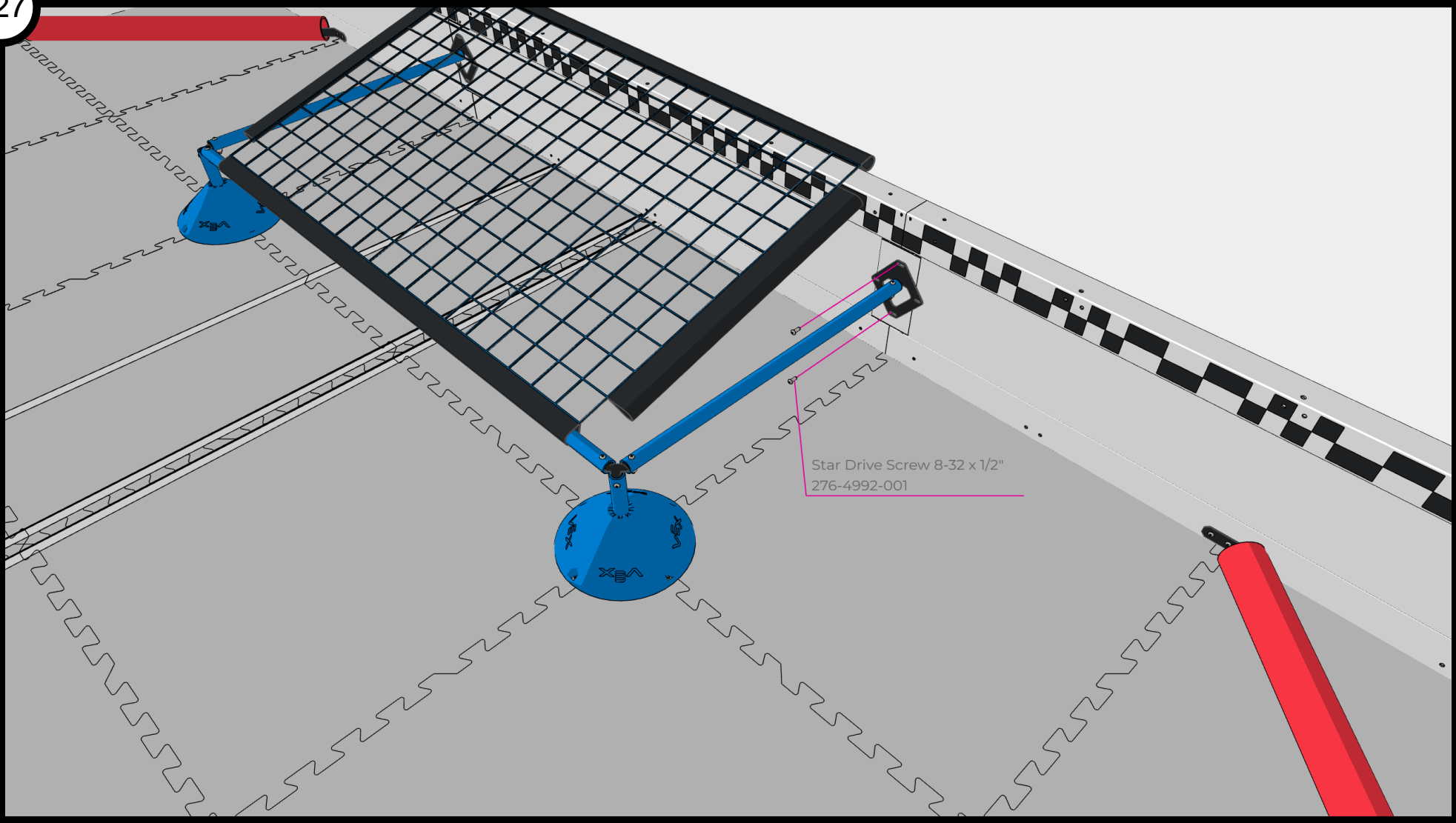
Fully Tighten Bolts

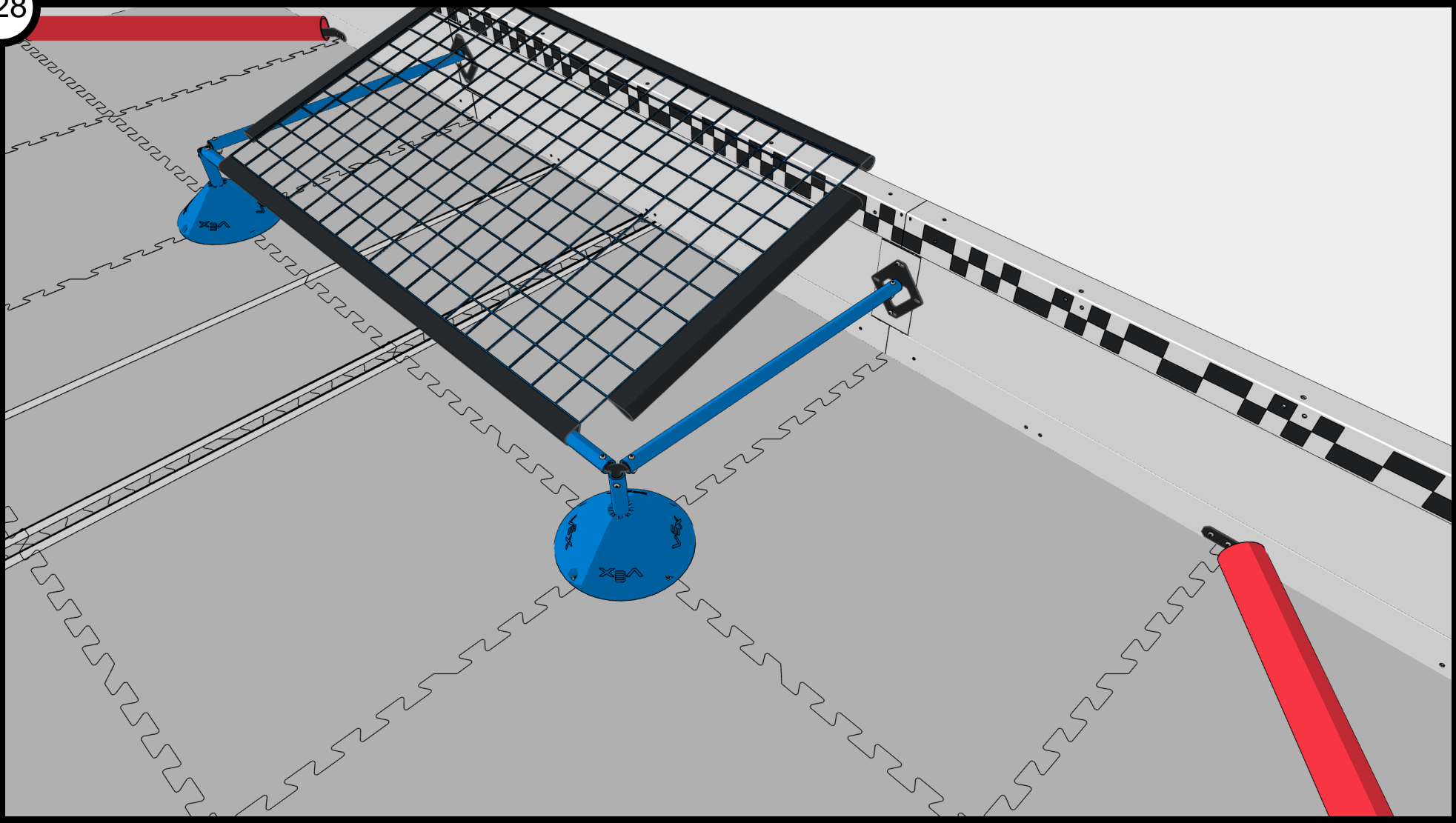


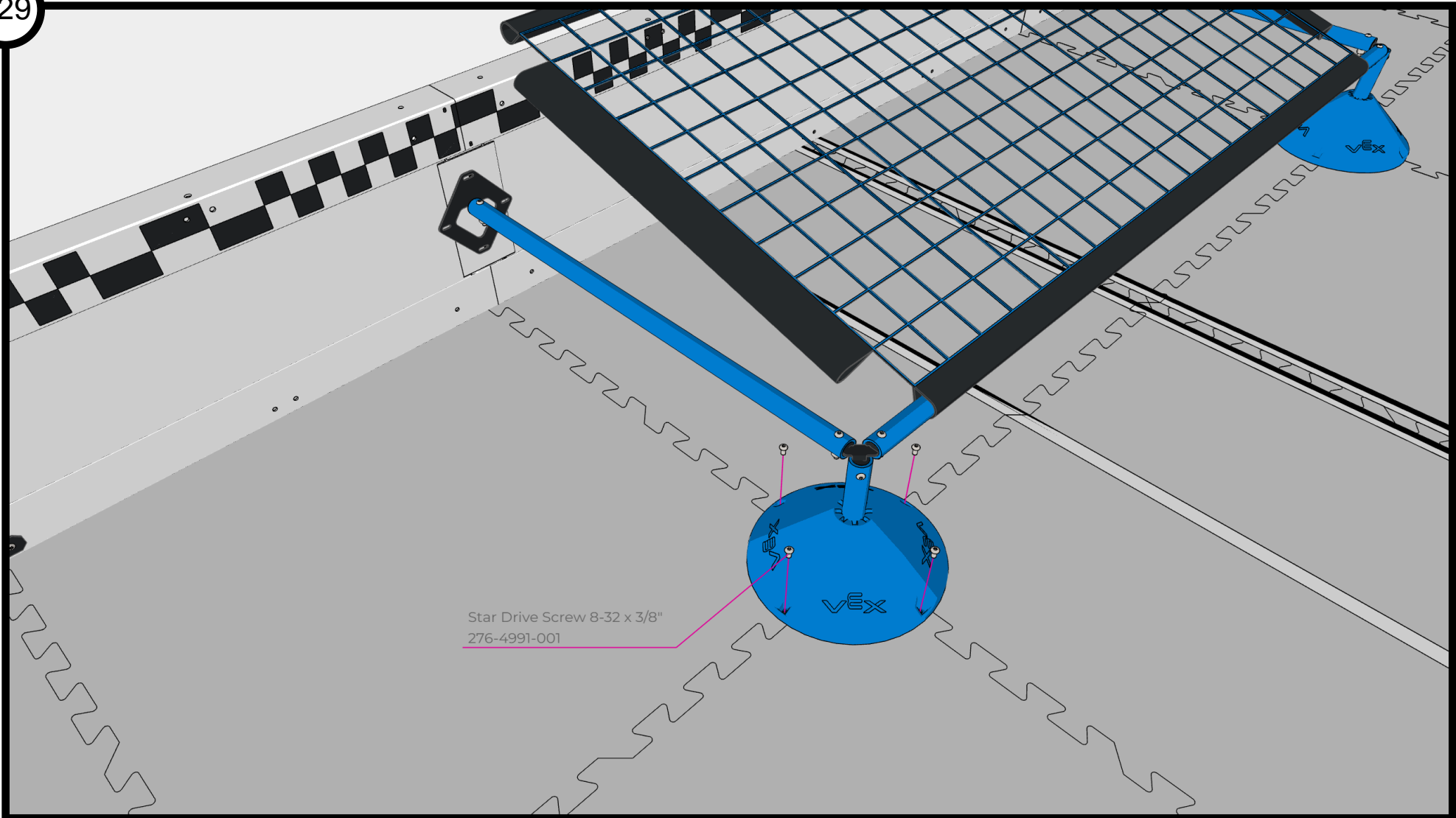


Star Drive Screw 8-32 x 3/8"
276-4993-001

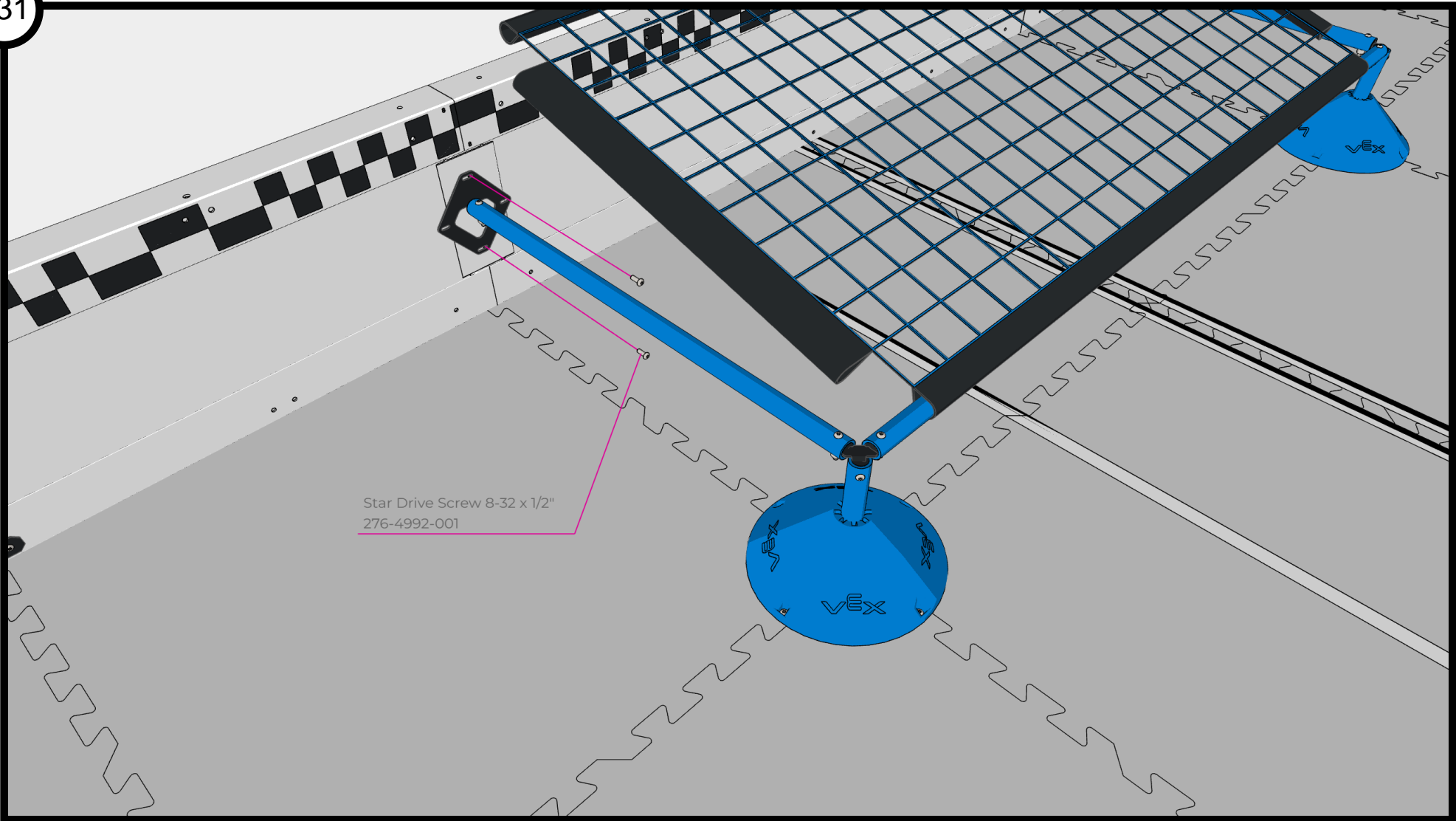




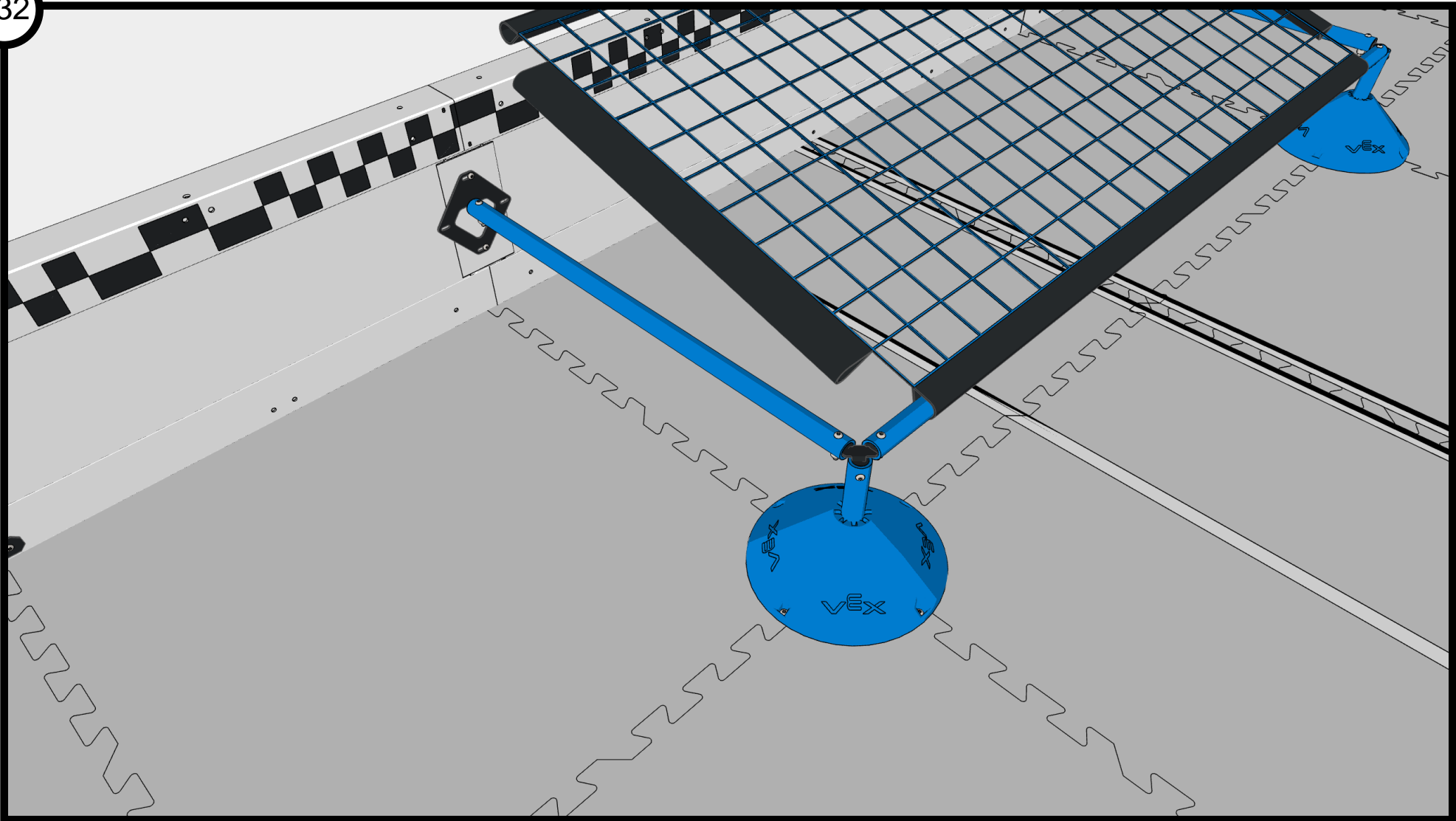


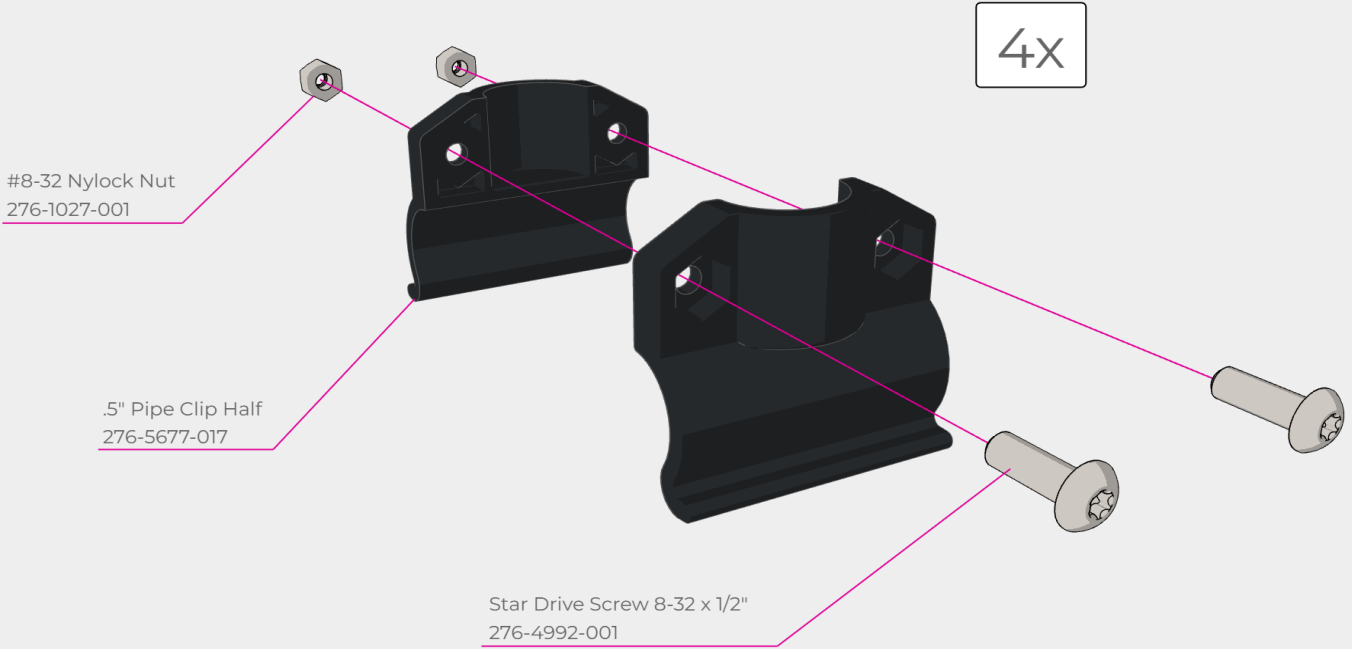


Star Drive Screw 8-32 x 3/8"
276-4991-001

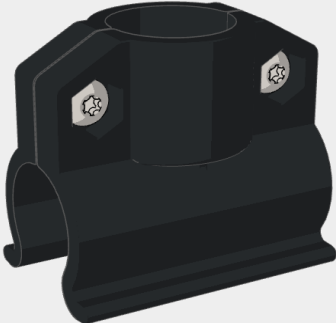


Star Drive Screw 8-32 x 1/2"
276-4992-001

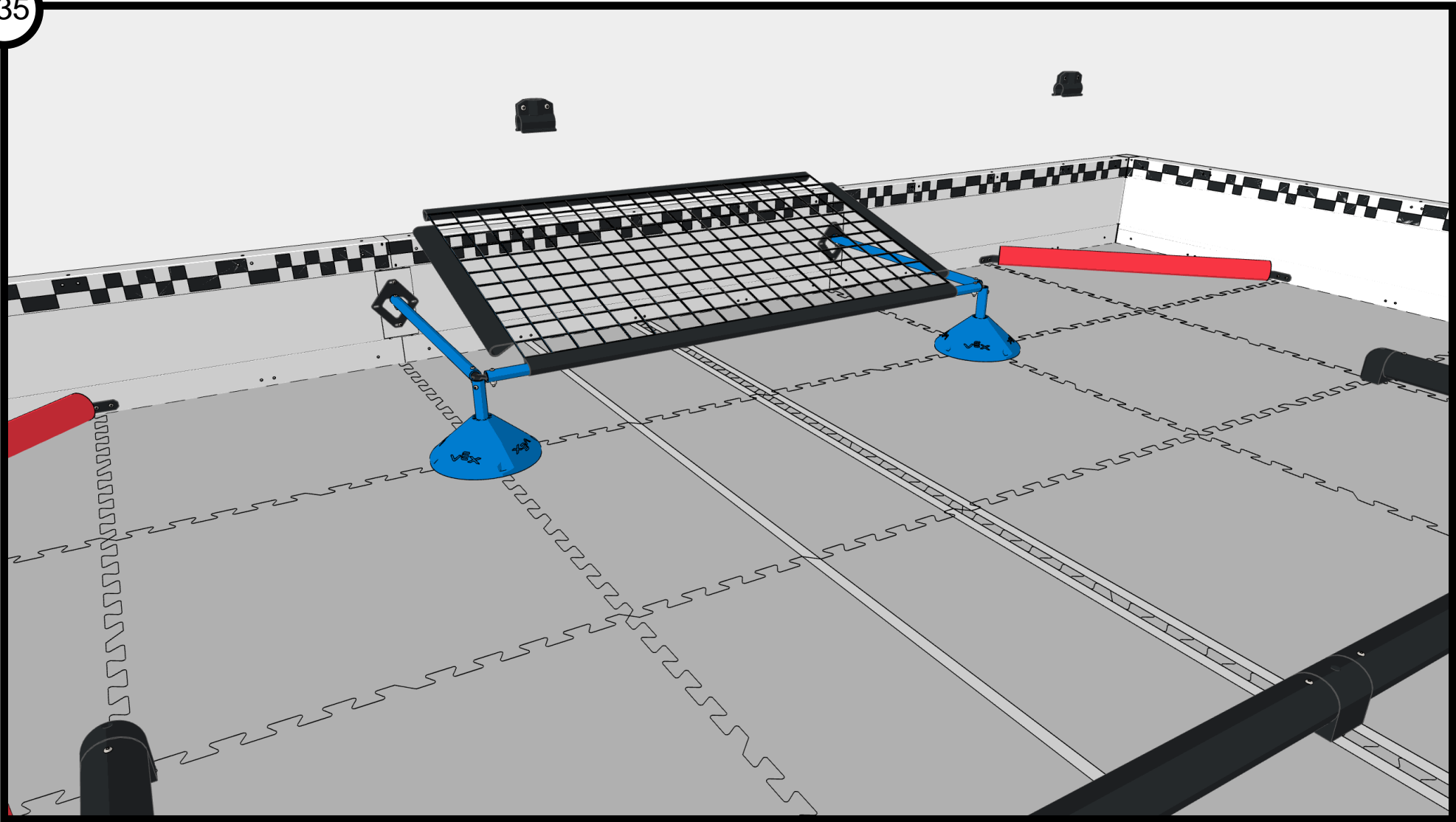


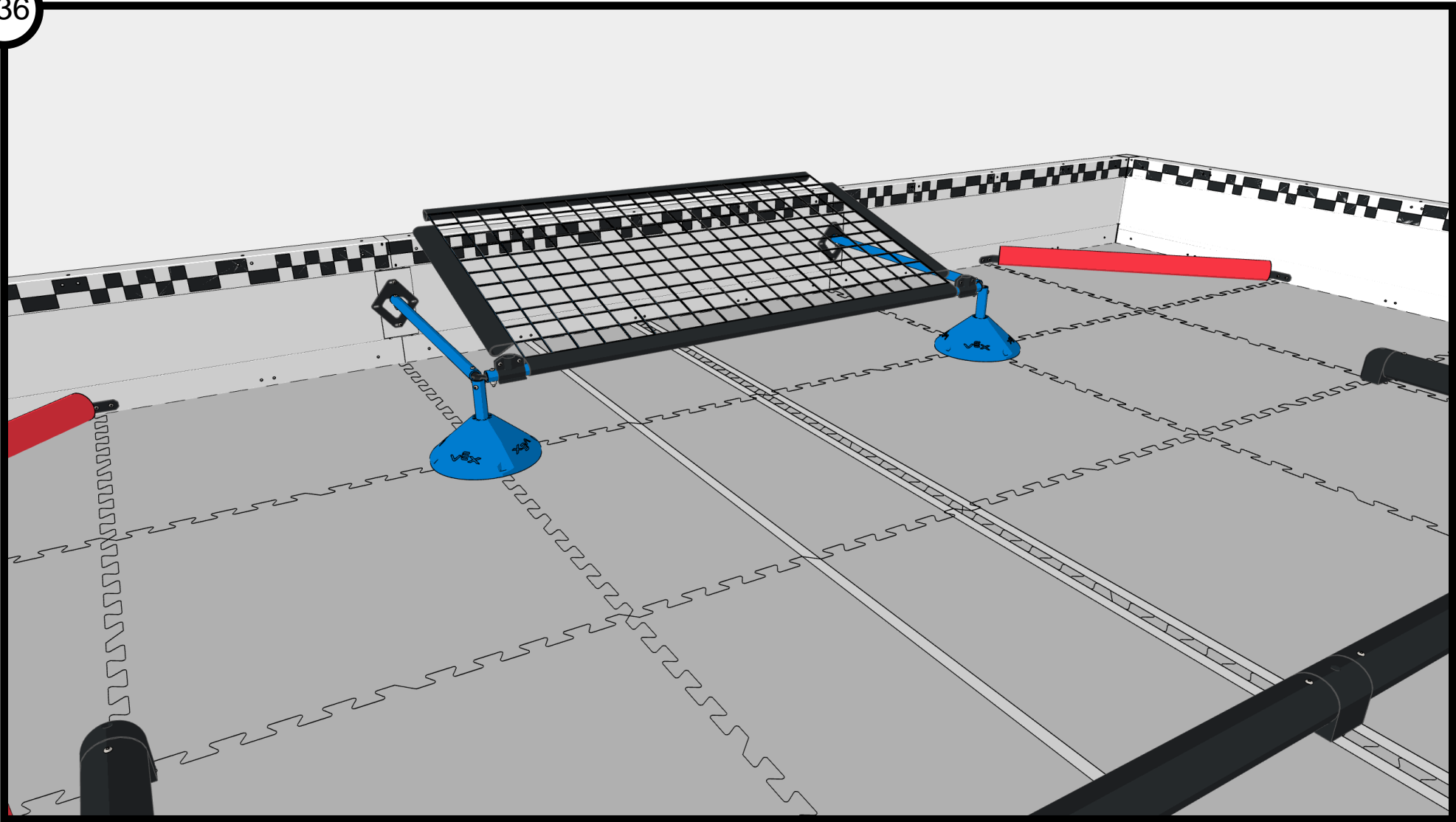


4x

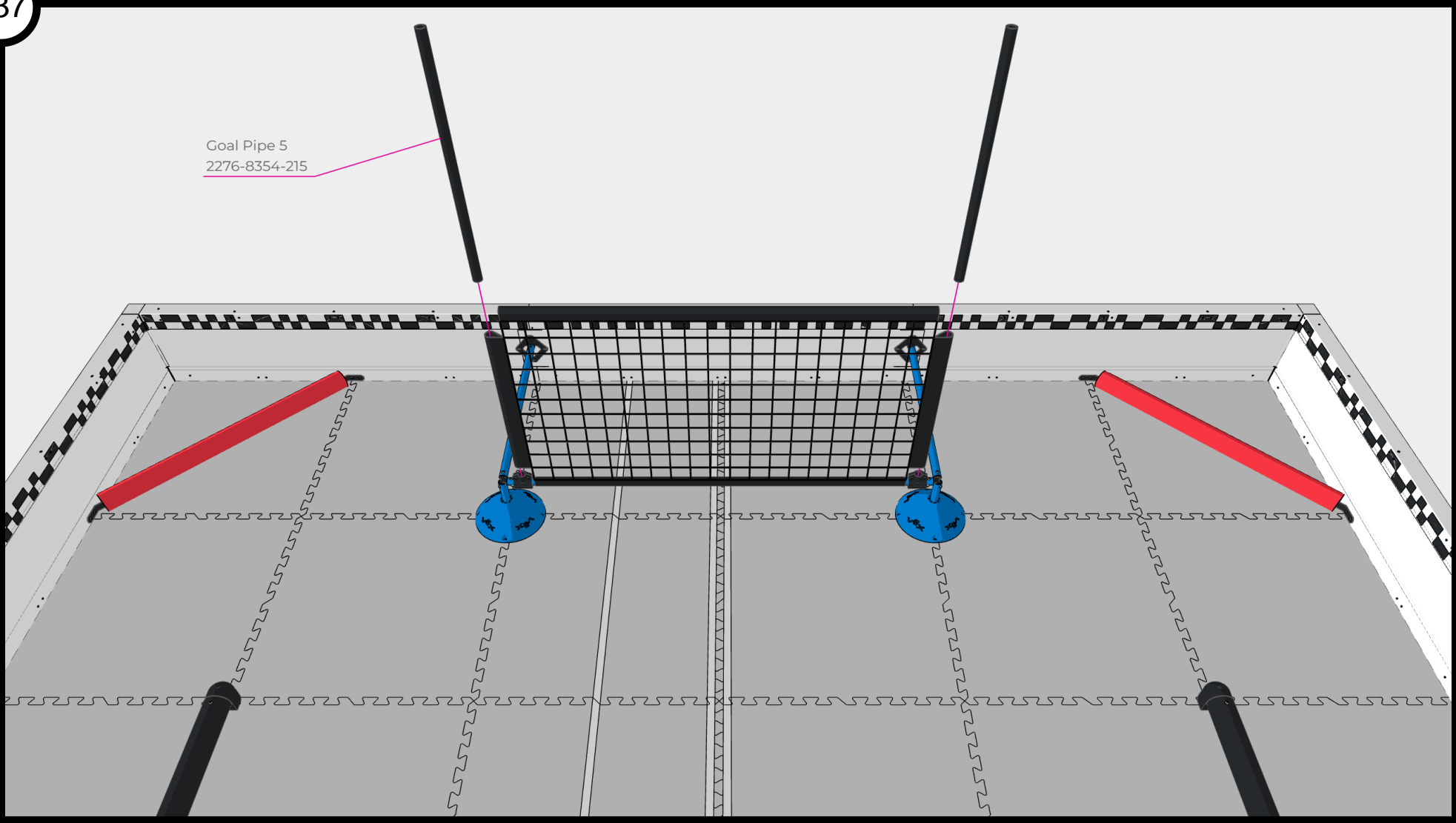


Do Not Fully Tighten Bolts

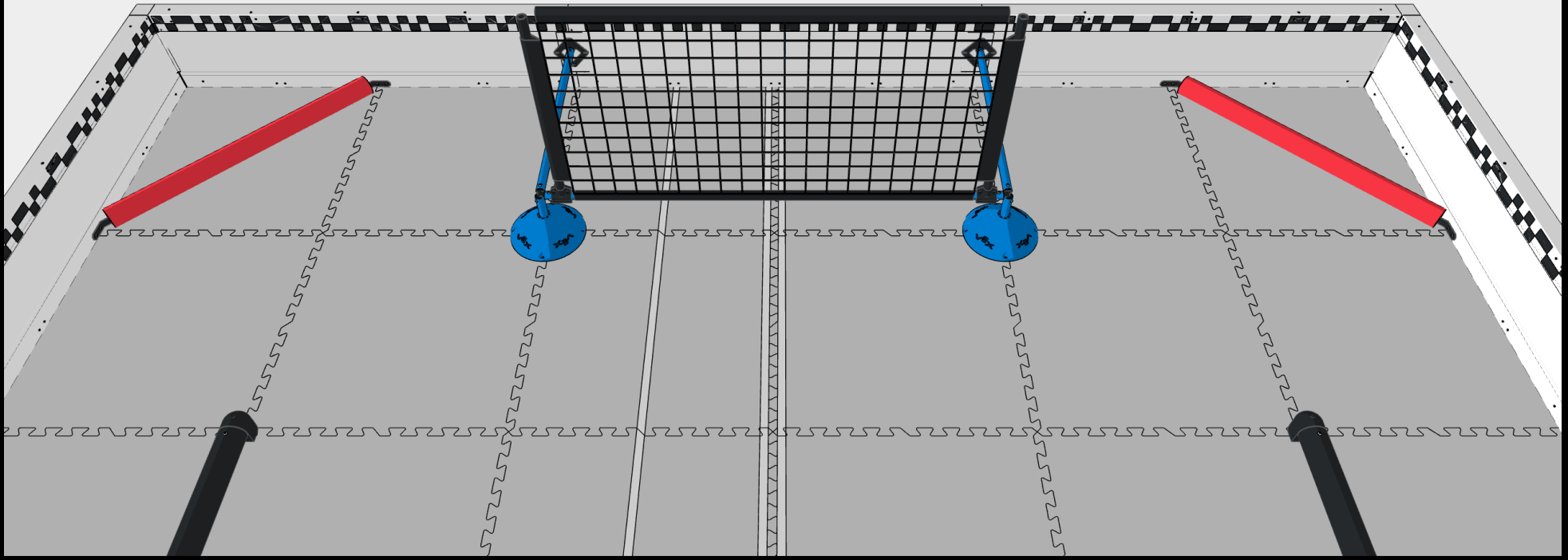


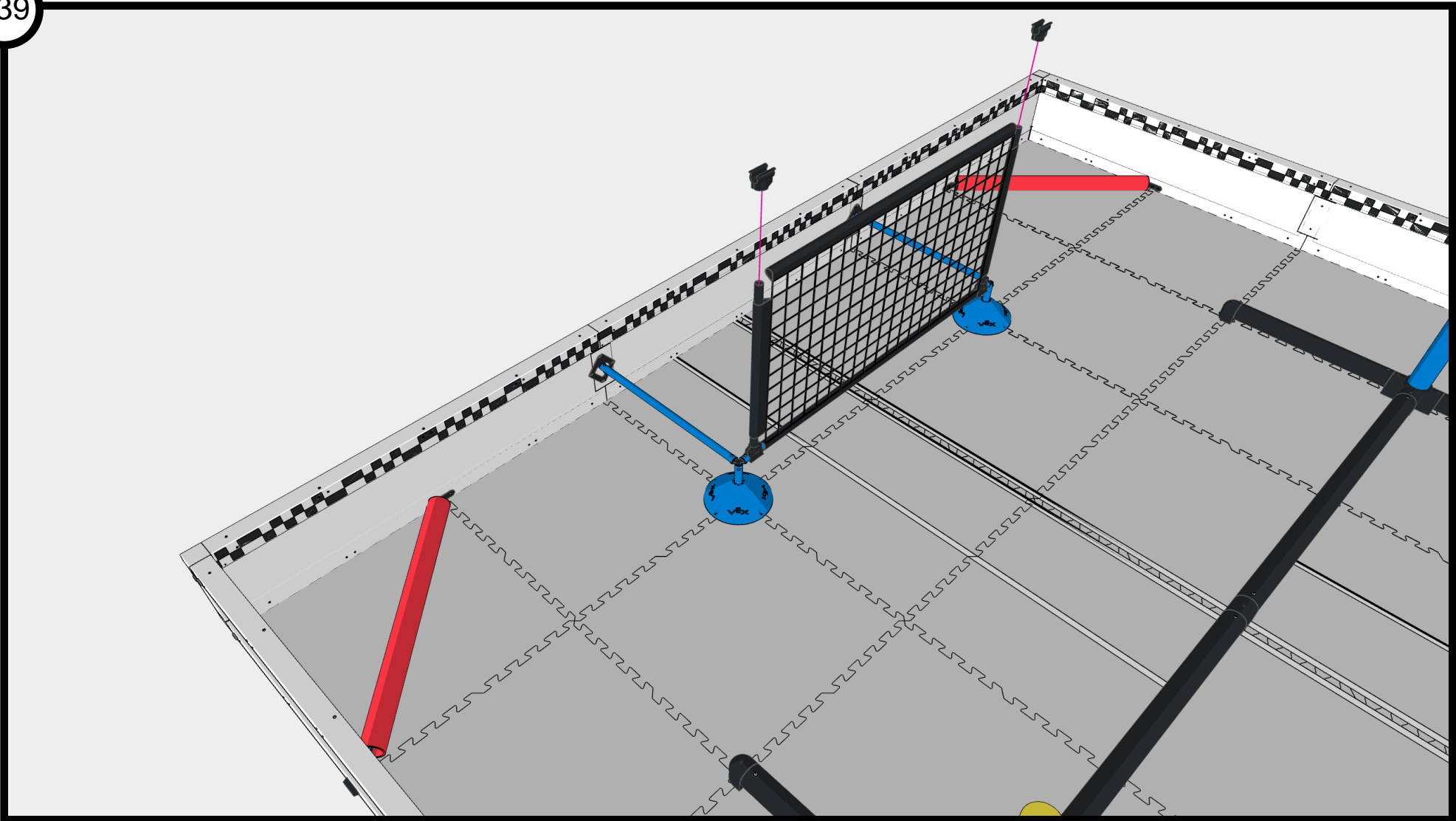


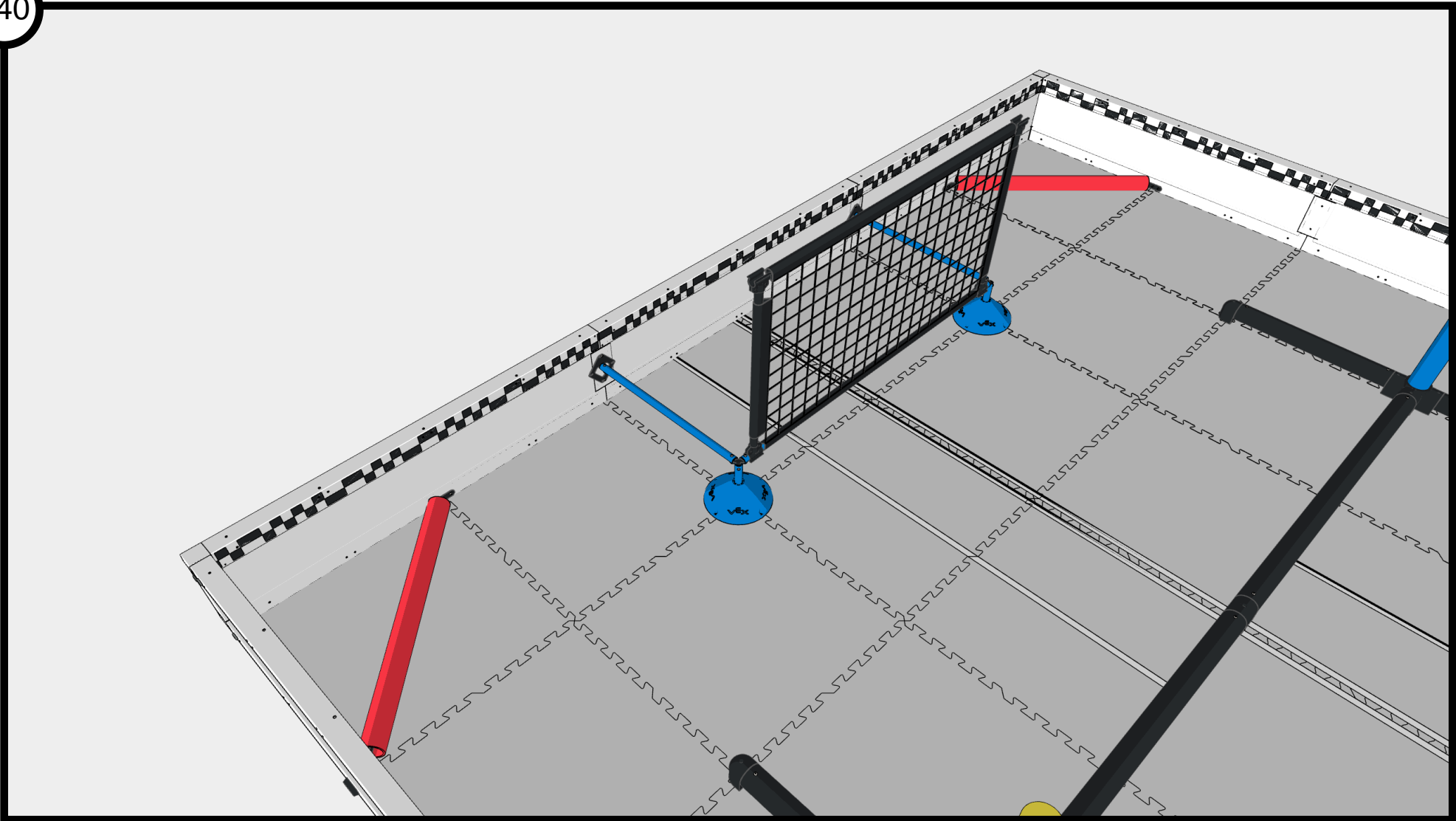
Goal Pipe 5
2276-8354-215

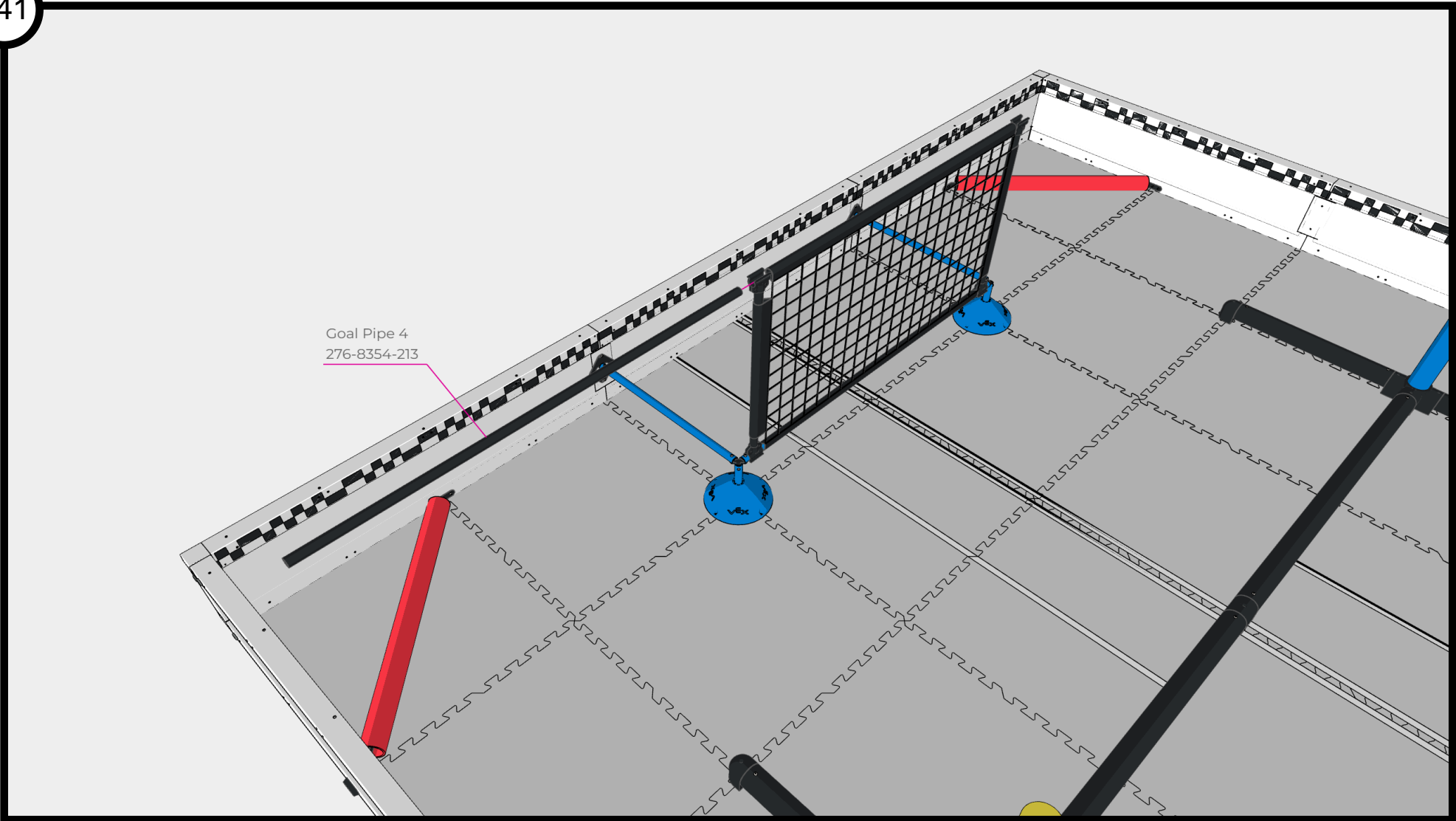


Fully Tighten Bolts









Goal Pipe 4
276-8354-213

Fully Tighten Bolts

