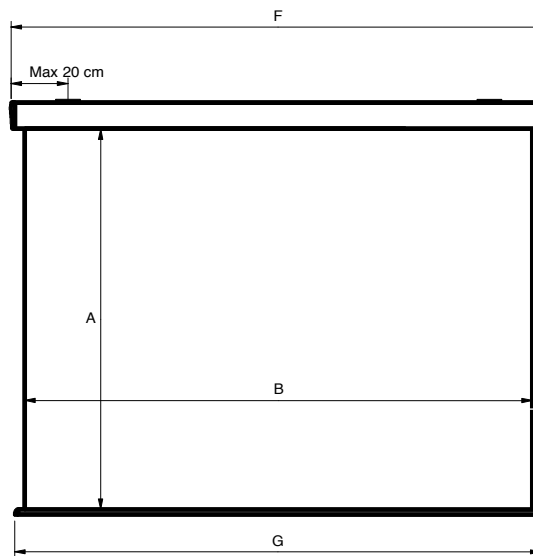


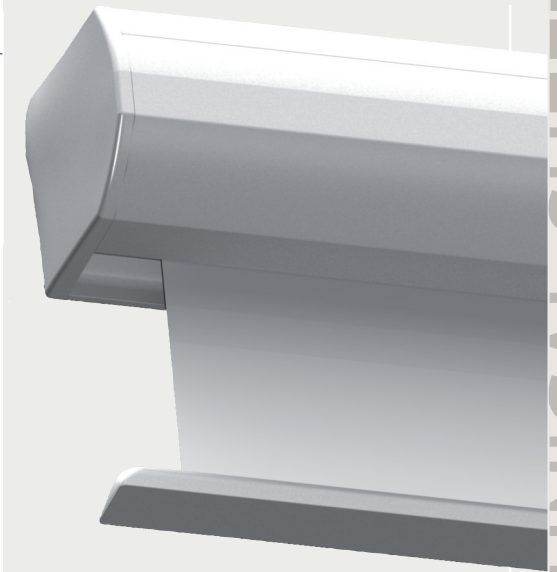
Front view



- A Image height
- B Image base
- F Casing length
- G Weighing bar length

Technical data

Reference		A cm	B cm	F cm	G cm	Wattage w	Net weight kg
1:1 format							
OR1B1180180	Small casing	180	180	196	192	100	16
OR1B1200200	Small casing	200	200	216	212	100	18
OR1B1240240	Small casing	240	240	256	252	100	22
OR1B1270270	Small casing	270	270	286	282	100	27
OR1B1300300	Small casing	300	300	316	312	120	32
OR1B1400400	Large casing	400	400	417	412	140	56
4:3 format							
OR1B1135180	Small casing	135	180	196	192	100	16
OR1B1150200	Small casing	150	200	216	212	100	18
OR1B1180240	Small casing	180	240	256	252	100	21
OR1B1202270	Small casing	202	270	286	282	100	26
OR1B1225300	Small casing	225	300	316	312	100	30
OR1B1300400	Large casing	300	400	417	412	120	51
OR1B1375500	Large casing	375	500	517	512	140	67
16:10 format							
OR1B1125200	Small casing	125	200	216	212	100	18
OR1B1150240	Small casing	150	240	256	252	100	21
OR1B1169270	Small casing	169	270	286	282	100	26
OR1B1187300	Small casing	187	300	316	312	100	30
OR1B1250400	Large casing	250	400	417	412	120	51
OR1B1312500	Large casing	312	500	517	512	140	67



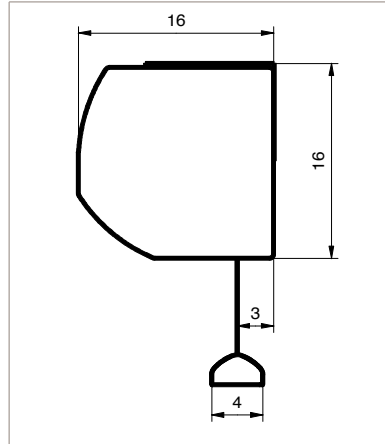
In addition to its reliability, this top of the range screen offers you a full screen image format.



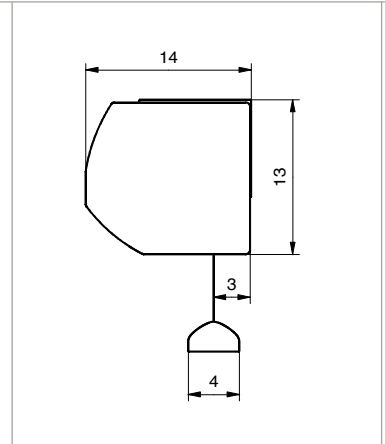
- Fully protected, it does not let appear any screw, including the screen fixing elements.
- Wall or ceiling mounting.
- Fire-resistant projection surface.
- Aluminum weighing bar closing the whole case in stand-up position.
- Aluminum casing with white epoxy finish. Other colors on demand.
- Remote control in option.
- Wired switch included.
- Motor on the right.

Side views

Large casing

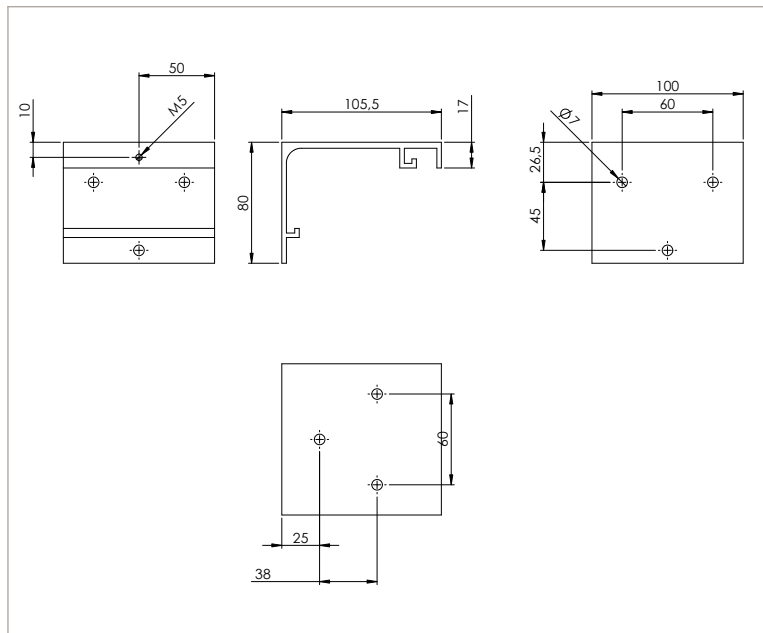


Small casing

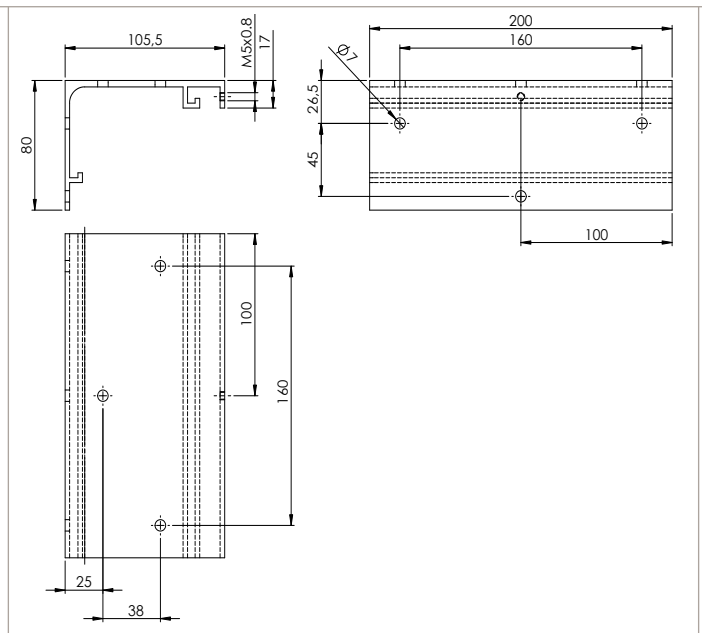


Installation brackets

Installation brackets **A** for screen < 5m base



Installation bracket **B** for screen of 5m base



MOUNTING

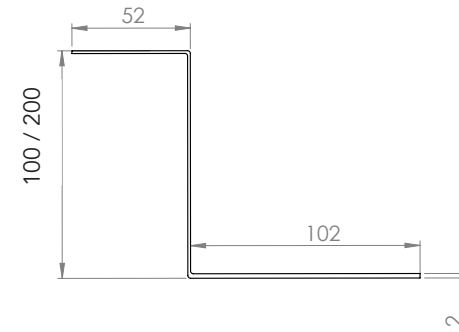
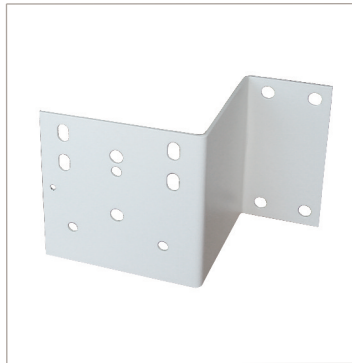
INSTALLATION BRACKETS

Base < 3m	2 brackets "A"
3 ≤ Base < 5m	3 brackets "A"
base = 5m	3 brackets "B"

Extending brackets

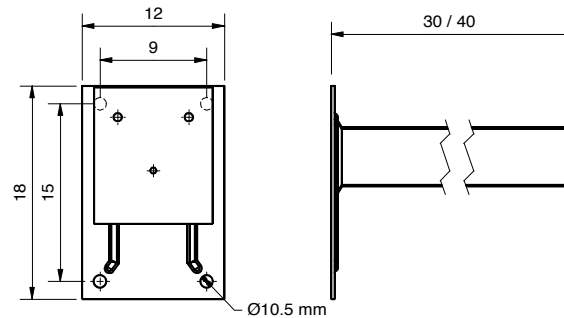
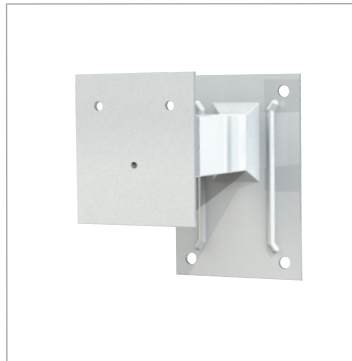
Extending brackets (base < 5m)

10 or 20 cm



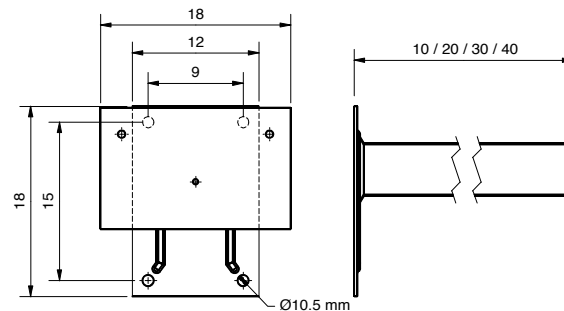
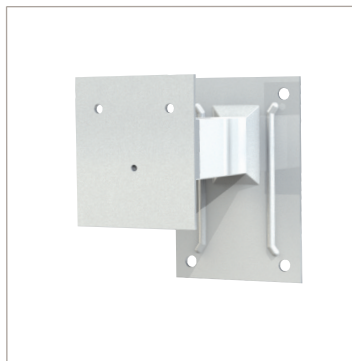
Extending brackets (base < 5m)

30 or 40 cm



Extending brackets (base = 5m)

from 10 to 40 cm



EXTENDING BRACKETS

Base < 5m The pair

Référence	Dimension
OPTECAR10GOR2	10 cm
OPTECAR20GOR2	20 cm
OPTECAR30GOR2	30 cm
OPTECAR40GOR2	40 cm

3m ≤ base < 5m The trio

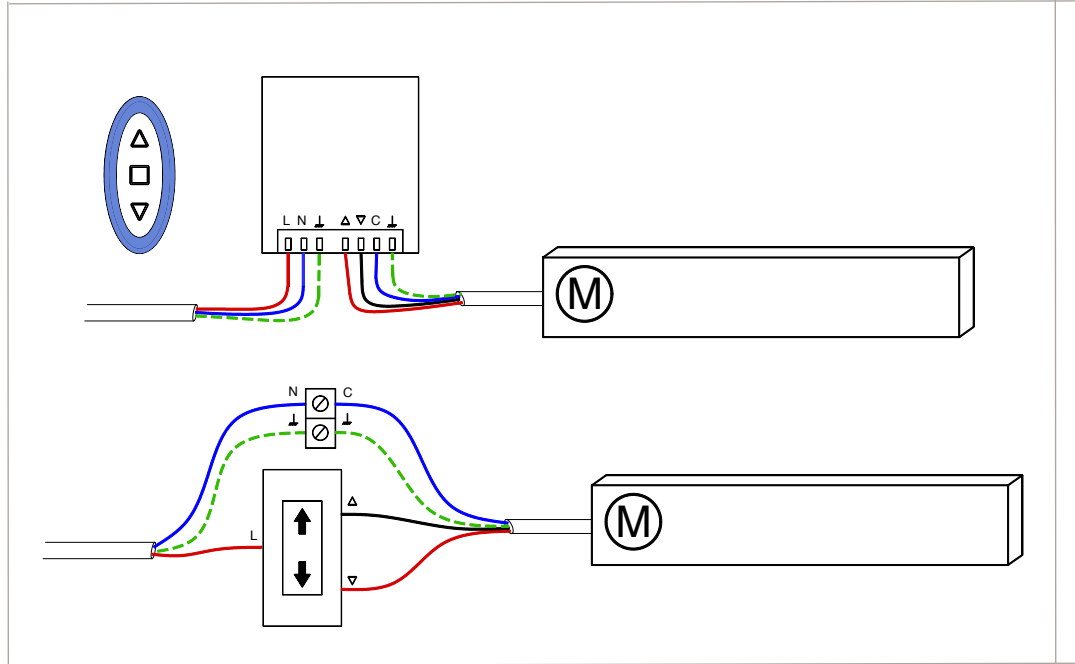
Référence	Dimension
OPTECAR10GOR3	10 cm
OPTECAR20GOR3	20 cm
OPTECAR30GOR3	30 cm
OPTECAR40GOR3	40 cm

Base = 5m The trio

Référence	Dimension
OPTECAR10GOR5	10 cm
OPTECAR20GOR5	20 cm
OPTECAR30GOR5	30 cm
OPTECAR40GOR5	40 cm

Wiring

Wiring diagrams for remote control receiver and wired switch



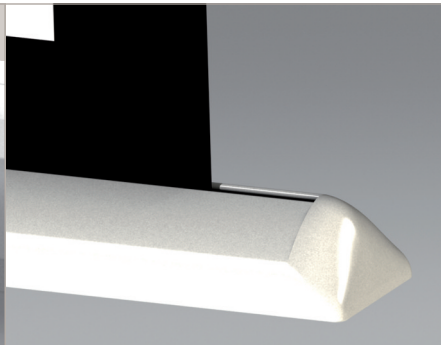
In case of automation control, the power must be cut off between rolling up and unrolling order.

- L Live
- N Neutral
- C Common
- Δ Up
- ∇ Down
- Ground

Casing without visible screw



Weighing bar



Motor cut-off security device when closing

