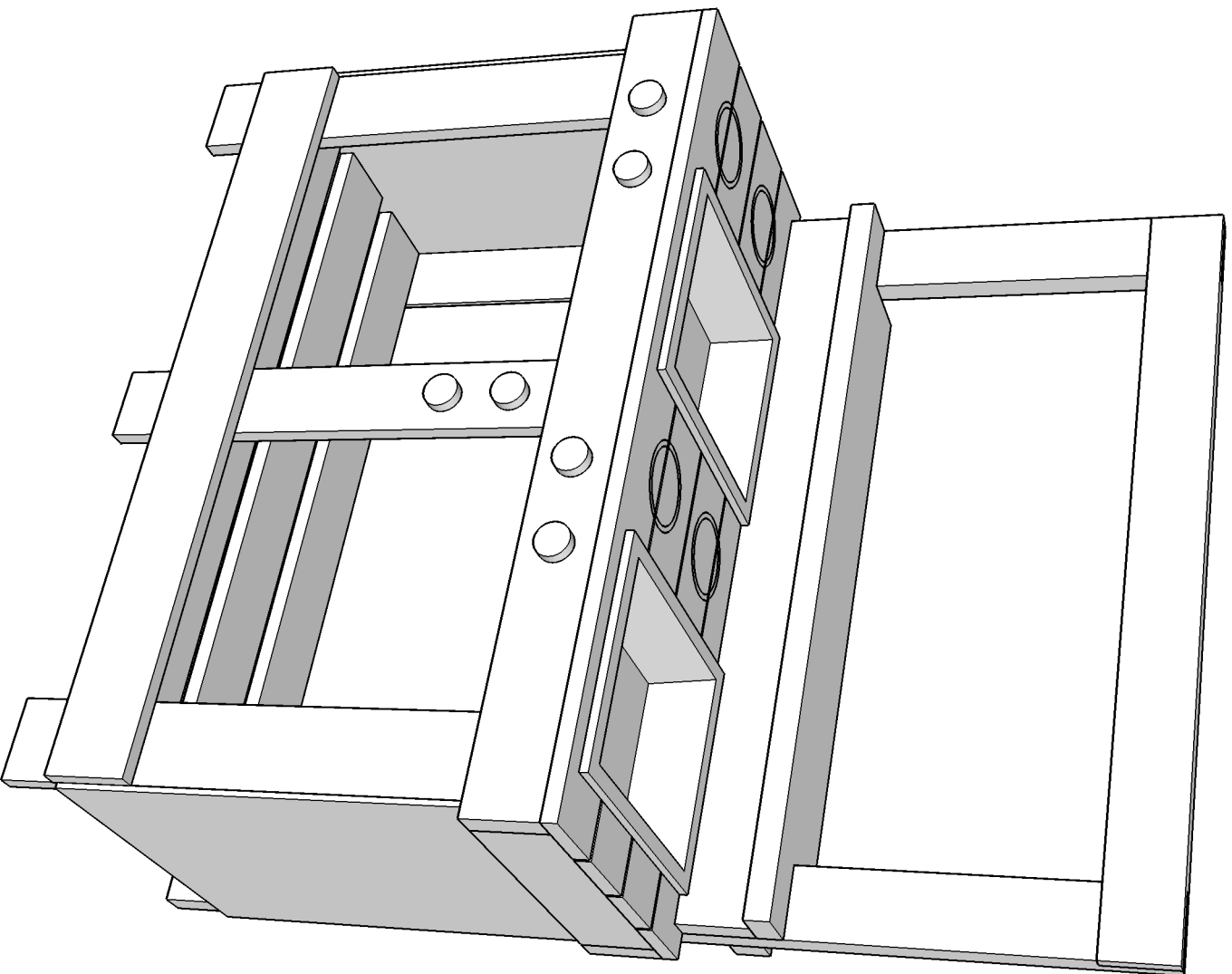
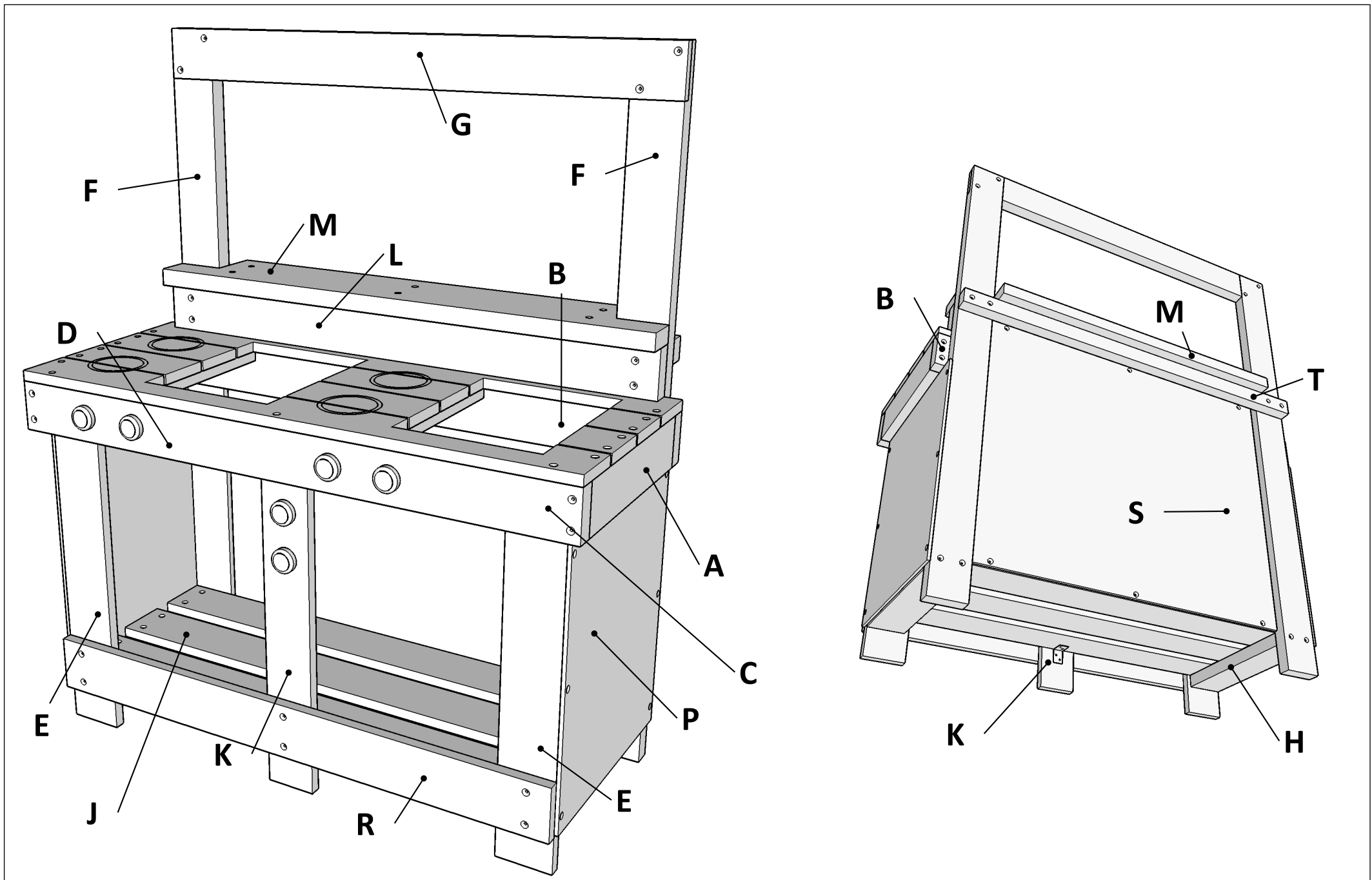


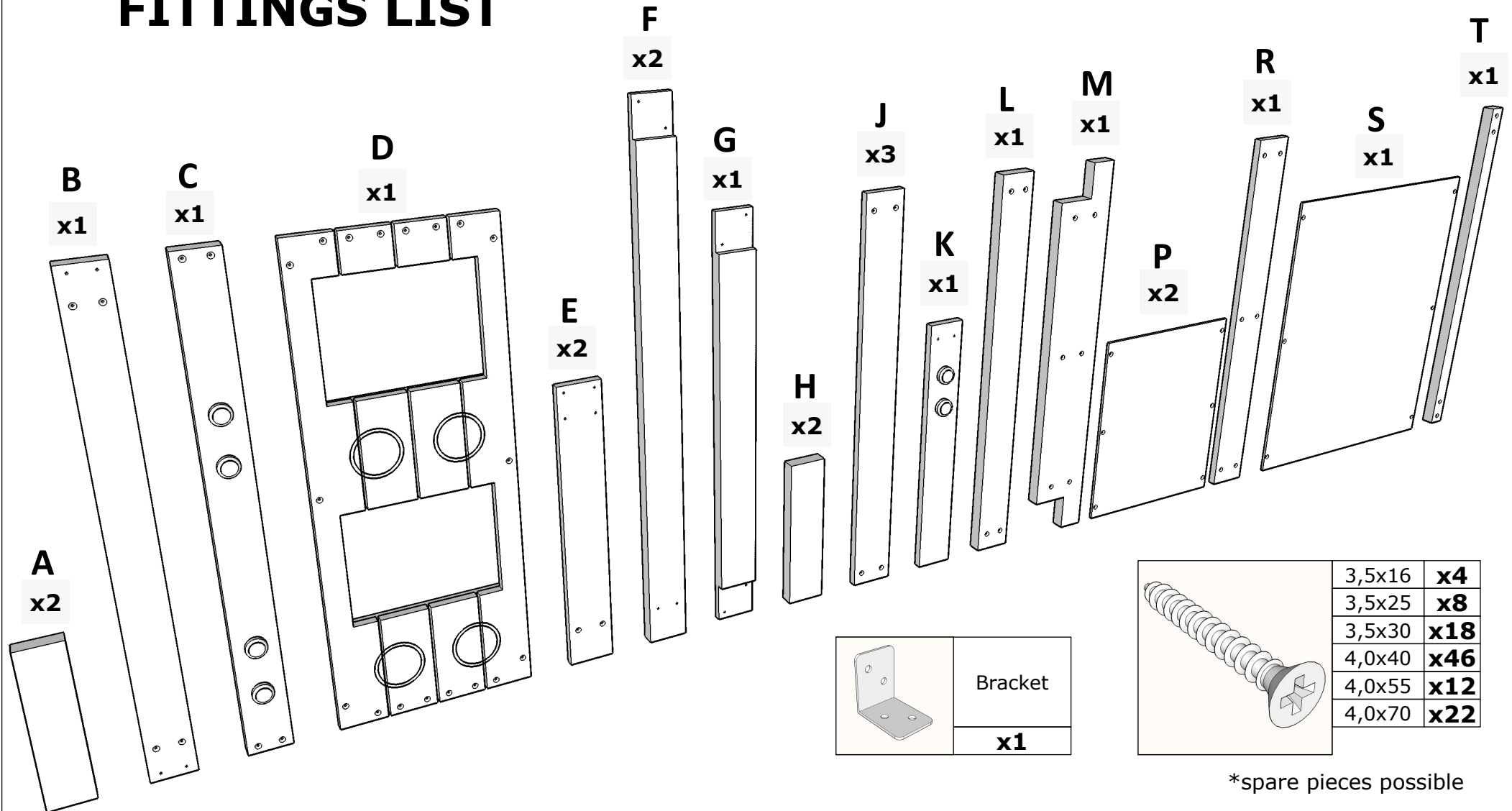
ASSEMBLY INSTRUCTION

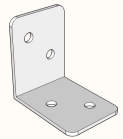
49338 - Mud Pie Kitchen Café KS1

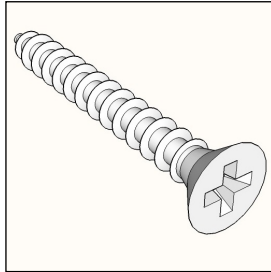




PARTS AND FITTINGS LIST

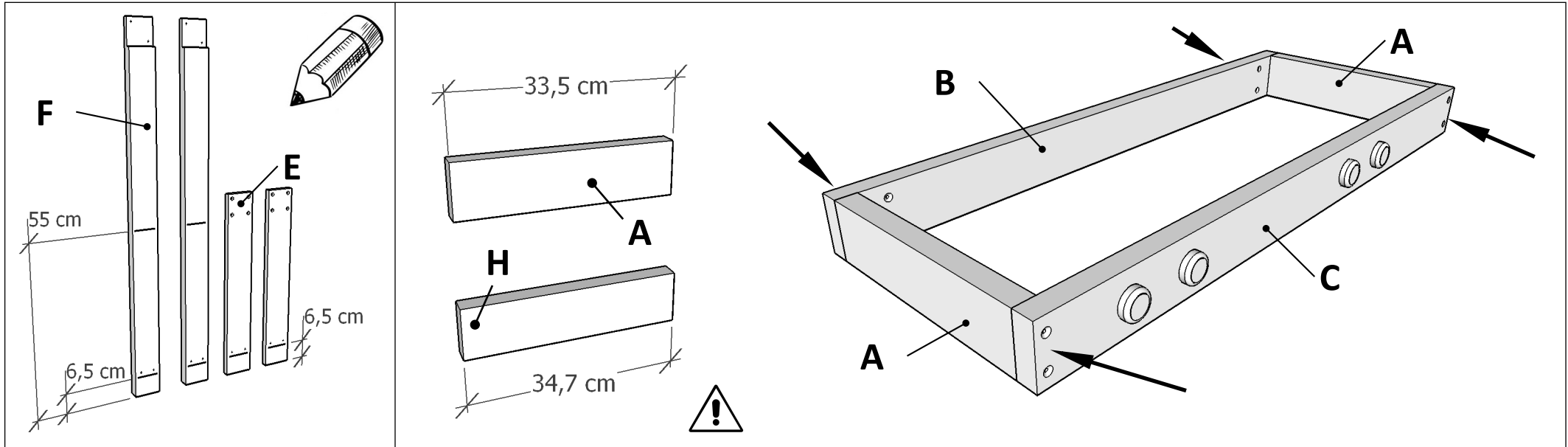


	Bracket
	x1



3,5x16	x4
3,5x25	x8
3,5x30	x18
4,0x40	x46
4,0x55	x12
4,0x70	x22

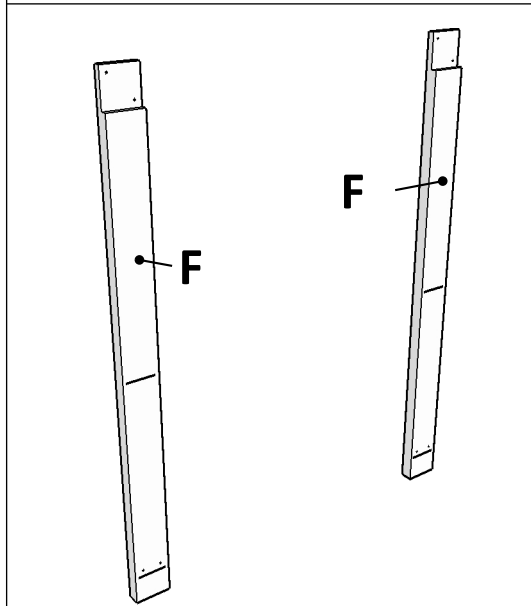
*spare pieces possible



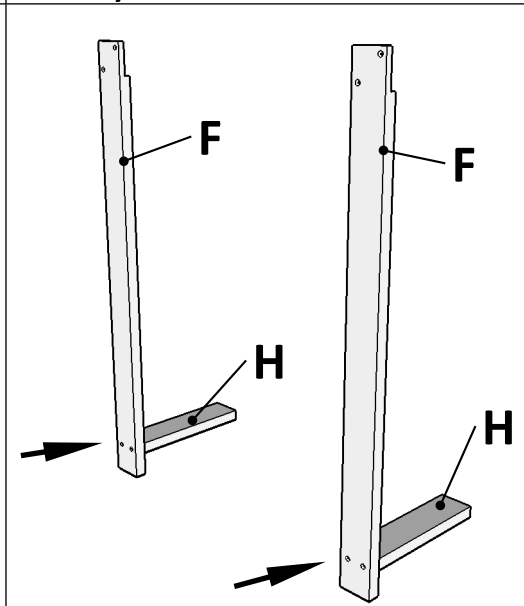
1. Mark lines using pen.

PLEASE NOTE: "A" and "H" parts are very similar. Do not mix them!

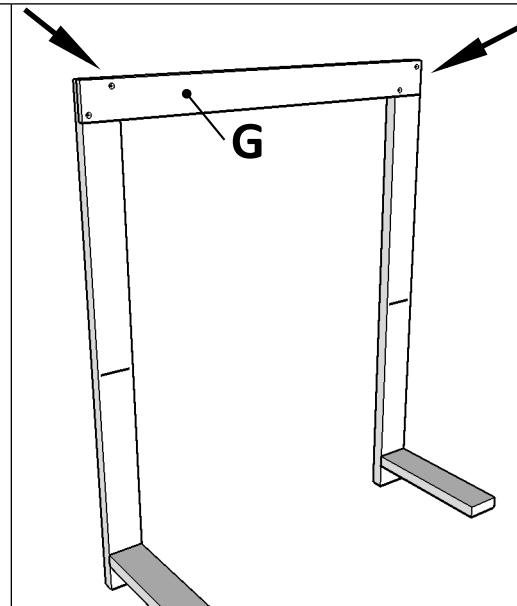
2. Use 4,0x70 (8 pcs)



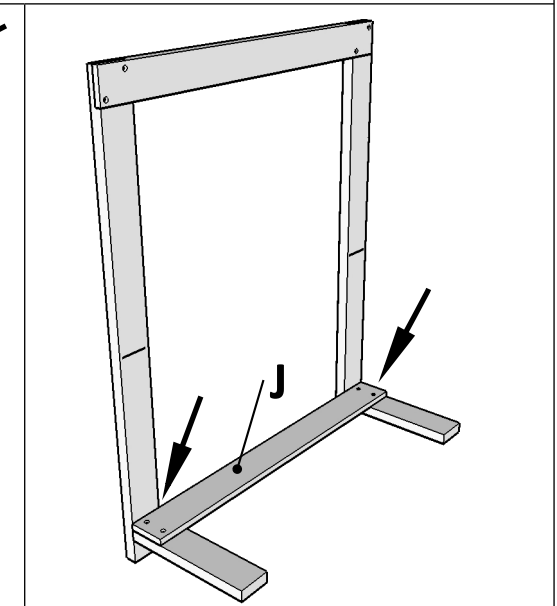
3. Take "F" parts.



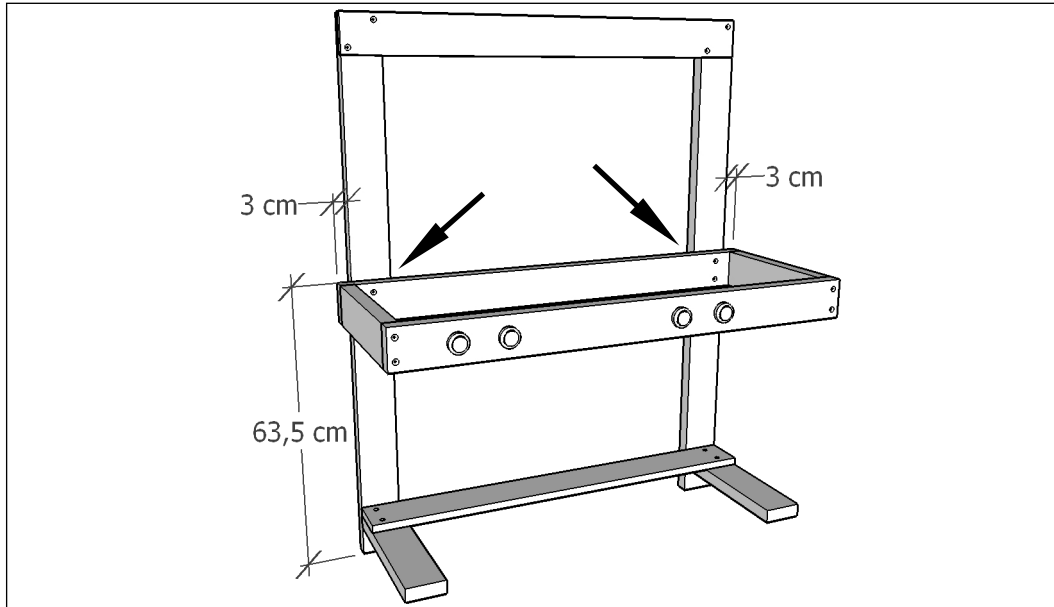
4. Use 4,0x70 (4 pcs)



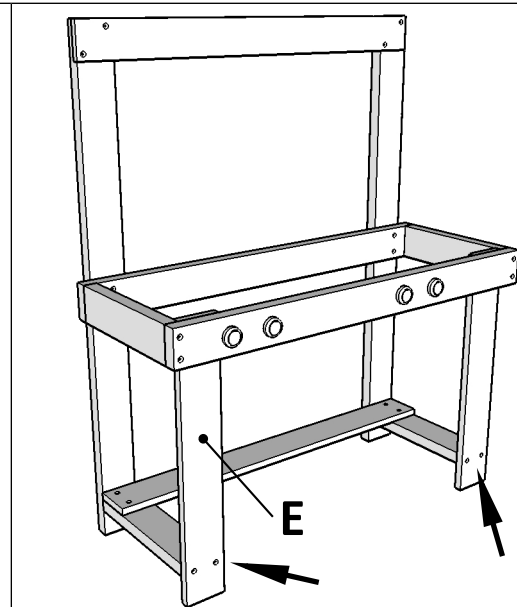
5. Use 3,5x25 on both sides (8 pcs)



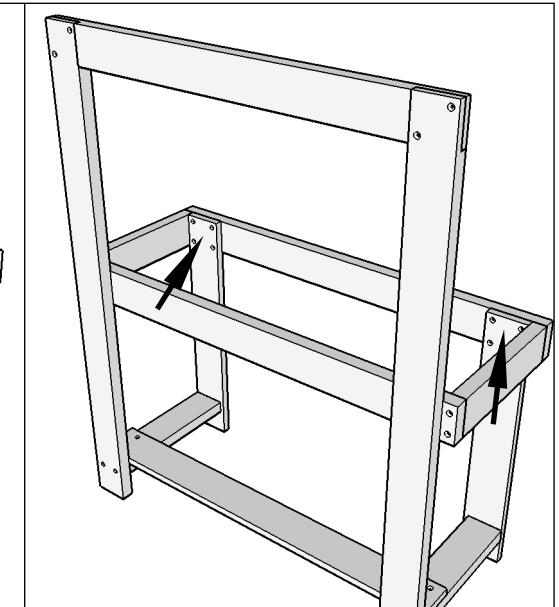
6. Use 4,0x40 (4 pcs)



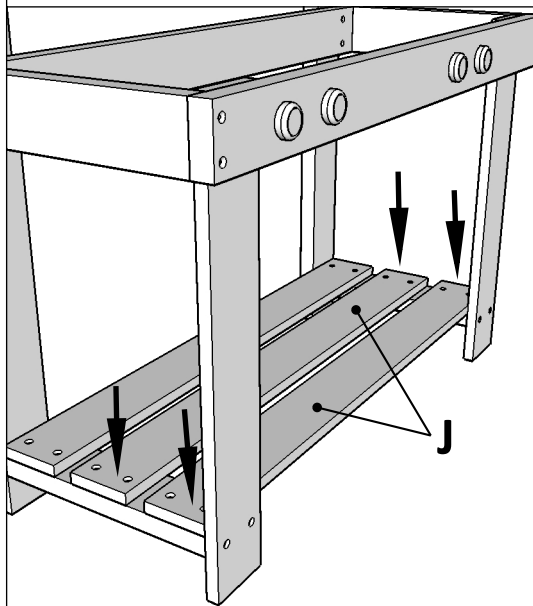
7. Use 4,0x55 (4 pcs). Make right distances.



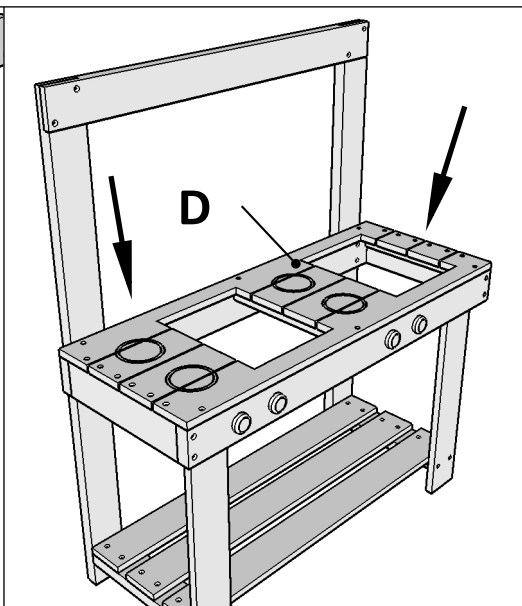
9. Use 4,0x70 (4 pcs)



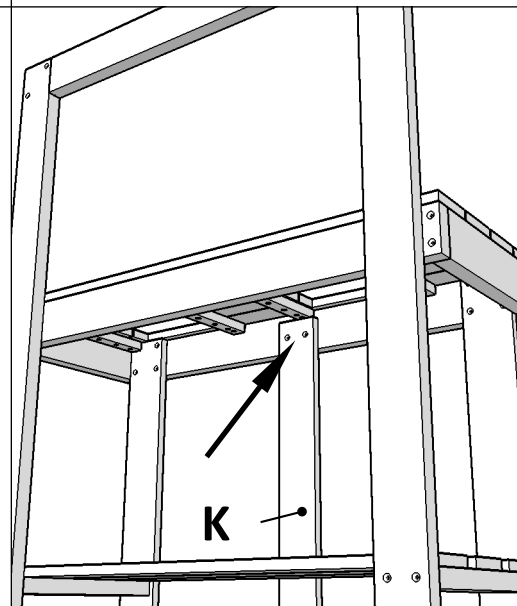
10. Use 4,0x40 (8 pcs)



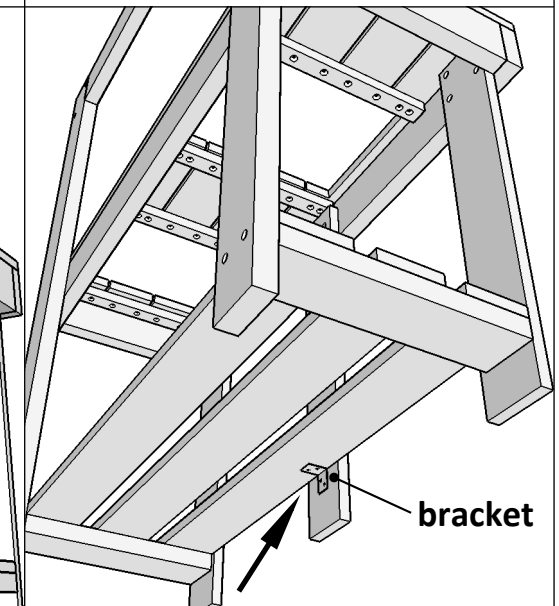
11. Use 4,0x40 (8 pcs)



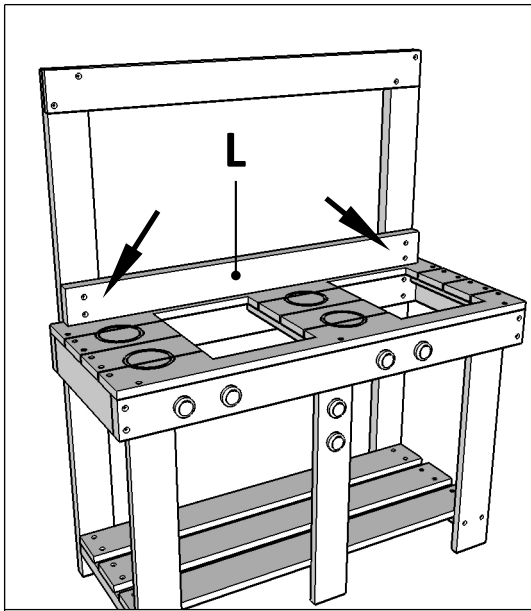
12. Use 4,0x40 (18 pcs)



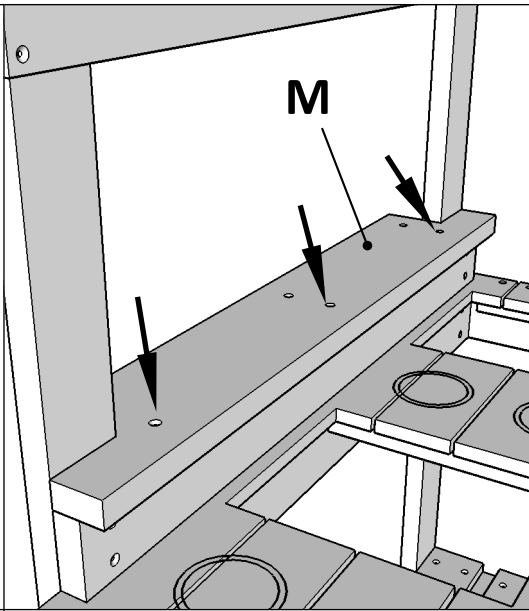
13. Use 4,0x40 (2 pcs)



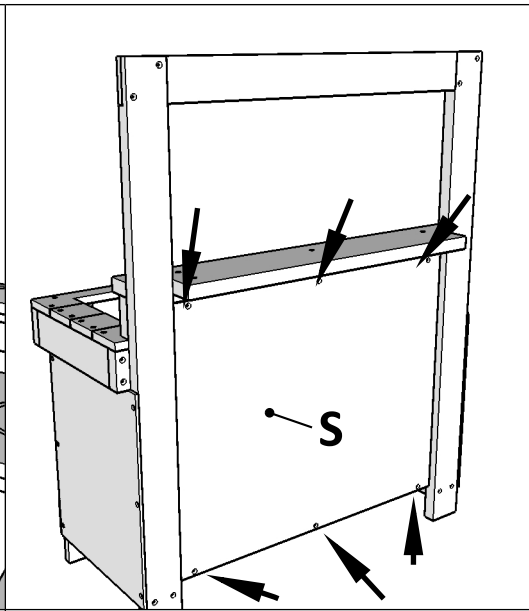
14. Use 3,5x16 (4 pcs)



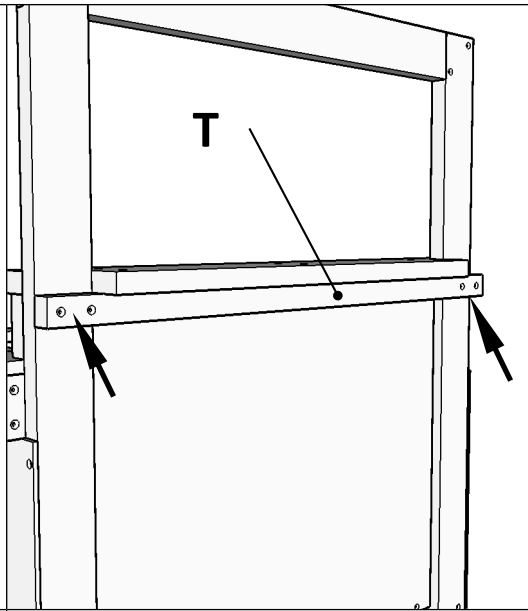
15. Use 4,0x55 (4 pcs)



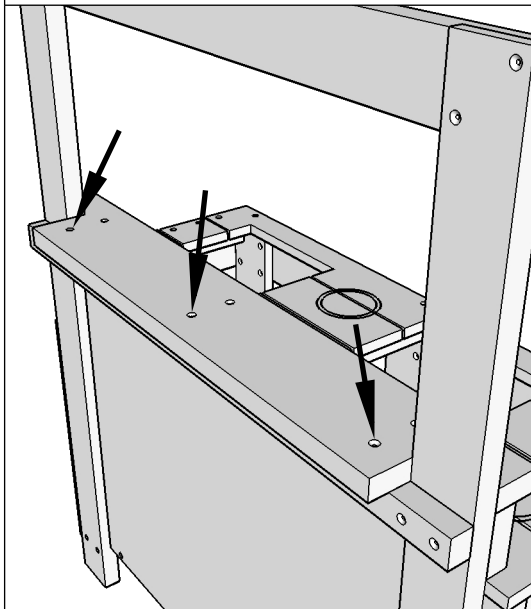
16. Use 4,0x70 (3 pcs)



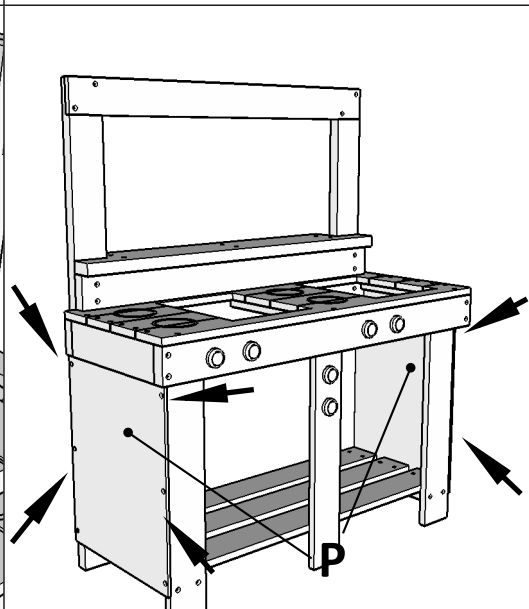
17. Use 3,5x30 (6 pcs)



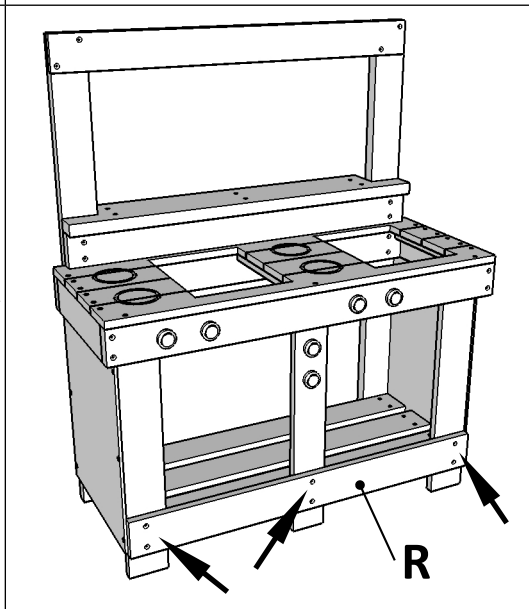
18. Use 4,0x55 (4 pcs)



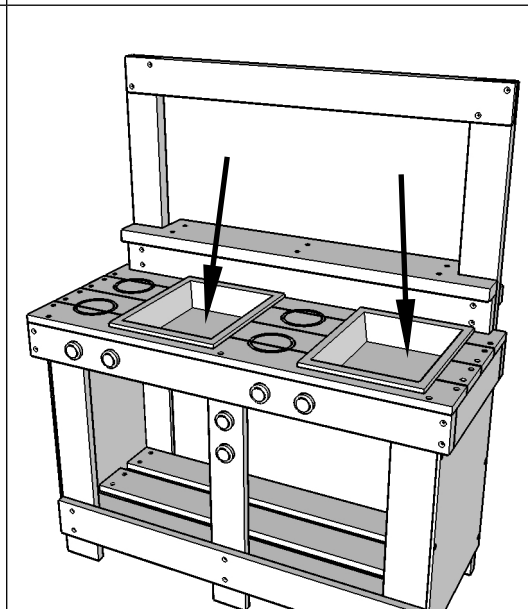
19. Use 4,0x70 (3 pcs)



20. Use 3,5x30 on both sides (12 pcs)



21. Use 4,0x40 (6 pcs)



22. Insert sinks. Done!