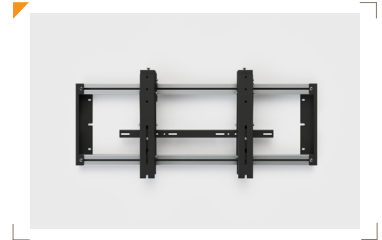


SMS MULTI DISPLAY

WALL ACE

- Universal video wall solution for displays in both landscape and portrait mode.
- Developed for the leading displays on the market with dimensions 46-60", for professional videowalls.
- "Slide and Access" function for easy access behind a display, with the remaining displays in operation.
- Simple ordering – one article number specifies one package per display.



Flexibility, precision and simplicity

Ace allows you to mount a video wall simply, attractively and with very high flexibility.

The SMS Multi Display Wall Ace is a universal video wall solution for leading displays on the market. Ace is robust, simple and flexible. An ingenious lock mechanism guarantees that the displays remain firmly in their innermost position.

Build your video wall simply, with exactly the design and the number of displays that you want – simply choose as many modules as you need. Each module is delivered as a single package with all the components required to mount one display*. Ace offers endless possibilities for fine adjustment with millimeter-precision using a fine adjustment tool** for the exact alignment of the displays,

edge-to-edge mounting, and a perfect final result. The modules of the video wall can be precisely adjusted for vertical position, depth and tilt. You don't even need any tools for the depth and tilt adjustment. Ace is available in two versions, one for landscape and one for portrait mounting.

"The Slide and Access" function is a particularly clever and cost-saving feature. Slide one or more displays to the side for access: the selected display comes forwards and is available for service or exchange, while the other displays remain in operation.

QUESTIONS AND ANSWERS:

* What components are required to mount one module? What is included?

– Each package ordered (one article number) contains everything required to mount one display: wall frame, extender unit and display screws. (Wall screws are not included.)

What is the maximum number of displays that can be used in a video wall?

– There is no known limit in the horizontal direction. The more screens that are mounted in the vertical direction, the greater will be the display temperature. Always double check the recommendations of the display manufacturer.

Is it possible to secure the displays?

– Each module can be locked behind a protective sheet. This gives high personal safety and reduces the risk of theft.

** At a minimum of 10 points

INFO

- **Finish:** Aluminium/black
- **Recommended display size:** 46-60"
- **Maximum load per display:** 45 kg
- **Distance between the wall and the display rear:** 110 mm
- **VESA standard:**
PW111001 Landscape mode: 200-600 mm horizontal, 100-400 mm vertical.
PW111011 Portrait mode: 200 – 400 mm horizontal, 100-600 mm vertically.
- **Travel:** 160 mm. The distance from the wall when fully extended (service function) is 270 mm.
- **Formats:** Landscape mode (PW111001) or portrait mode (PW111011).
- **Security:** The displays can be locked to increase personal safety and security from theft.
- **Adjustments:** Fine adjustment at a minimum of 10 points makes it easy to mount the displays with high precision and perfect alignment. The modules of the video wall can be precisely adjusted for vertical position, depth and tilt. The depth and tilt adjustments do not need any tools.
- **Guarantee:** 5 years.

SIMPLE ORDERING

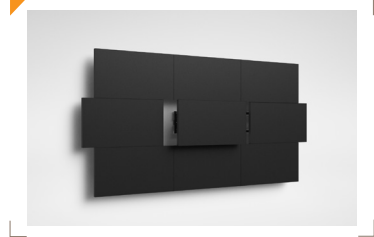
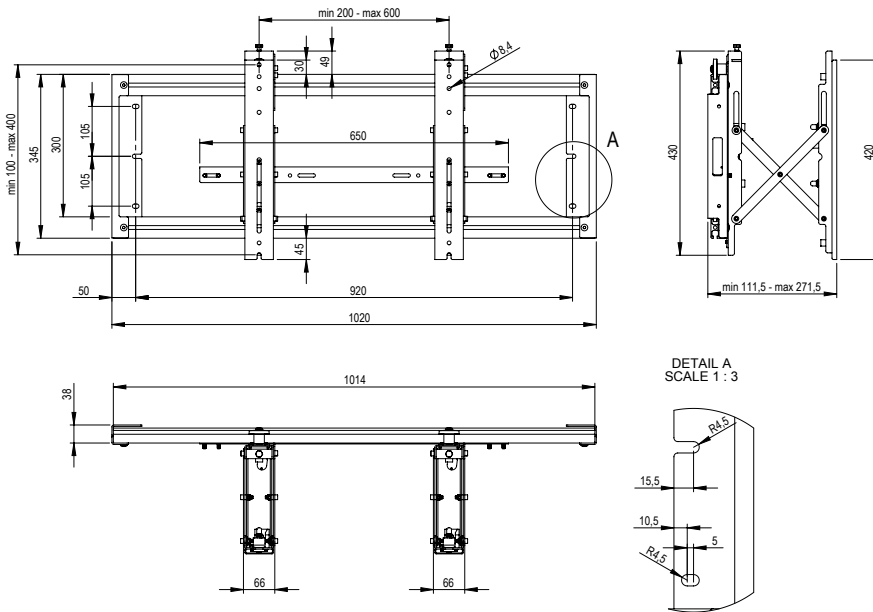
One single article number covers everything needed to order one module (containing equipment for one display).

For example: order 8 x PW111001 for a video wall of 8 displays in landscape mode.

ARTICLE NO.:

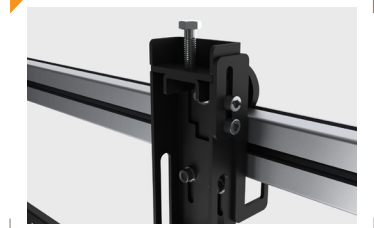
PW111001 SMS MDW Ace Landscape
PW111011 SMS MDW Ace Portrait

TECHNICAL DRAWING (MM)
PW111001 / SMS Multi Display Wall Ace Landscape



SLIDE AND ACCESS

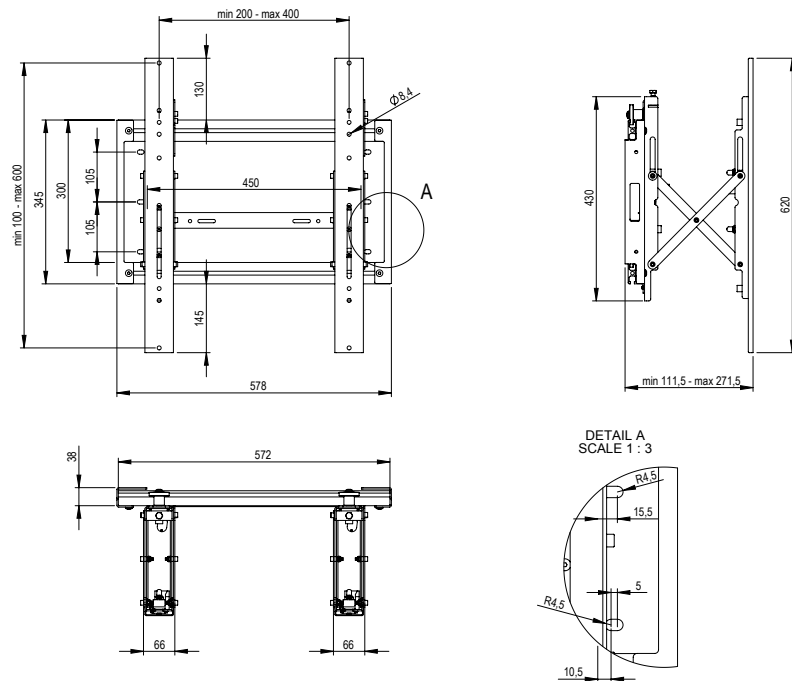
Slide one or several displays to the side for access: the selected display comes forwards to a service position 270 mm from the wall. This function makes it possible to service or exchange one display while the other displays remain in operation. You obtain full access to the sides and rear of the display to lay cables, service the display and achieve precise horizontal adjustment with the aid of a clever fine adjustment function at a minimum of 10 points.



LOCKING

Each module can be locked behind a protective sheet. This gives high personal safety and reduces the risk of theft.

TECHNICAL DRAWING (MM)
PW111011 / SMS Multi Display Wall Ace Portrait



ACCESSORIES

- PW111002 SMS MDW Ace Spacer Landscape
- PW111003 SMS MDW Ace Spacer Portrait



EASY AND FLEXIBLE INSTALLATION

The installation tool SMS Multi Display Wall Ace Spacers makes it easy to mount displays from 55-60" edge-to-edge.

When mounting displays in landscape mode, the PW111002 is used to facilitate precise location of the wall frames relative to each other, in both horizontal and vertical directions. When mounting displays in portrait mode, the PW111003 provides help with the precise location of the wall frames relative to each other in the horizontal direction. Consult the product manual for further information. The tool is not required for mounting displays smaller than 55".